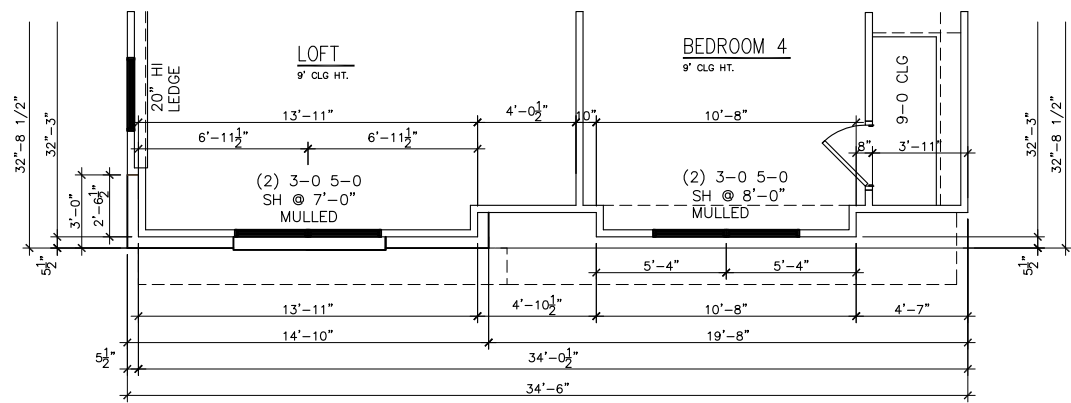
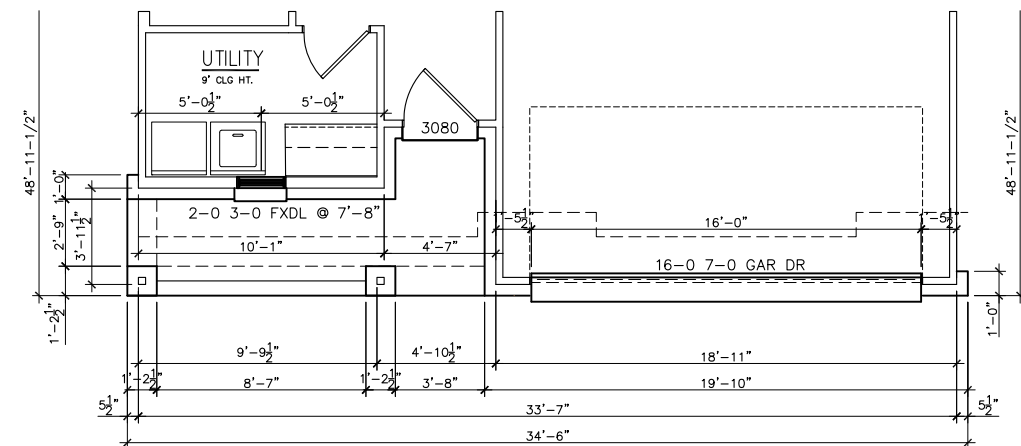




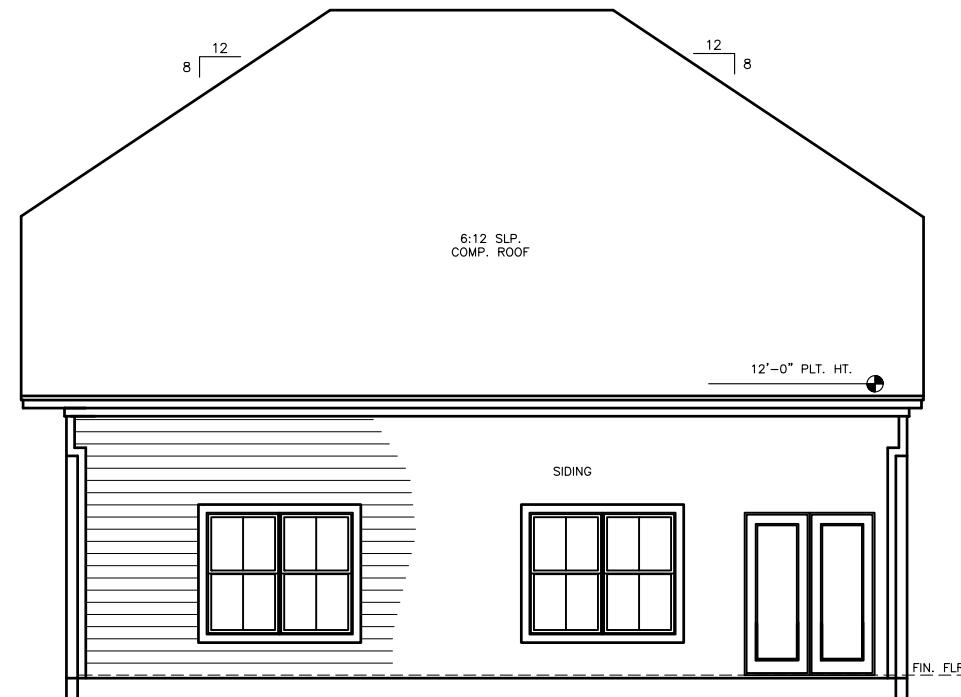
ELEVATION A



ELEVATION A
PARTIAL 2nd FLOOR



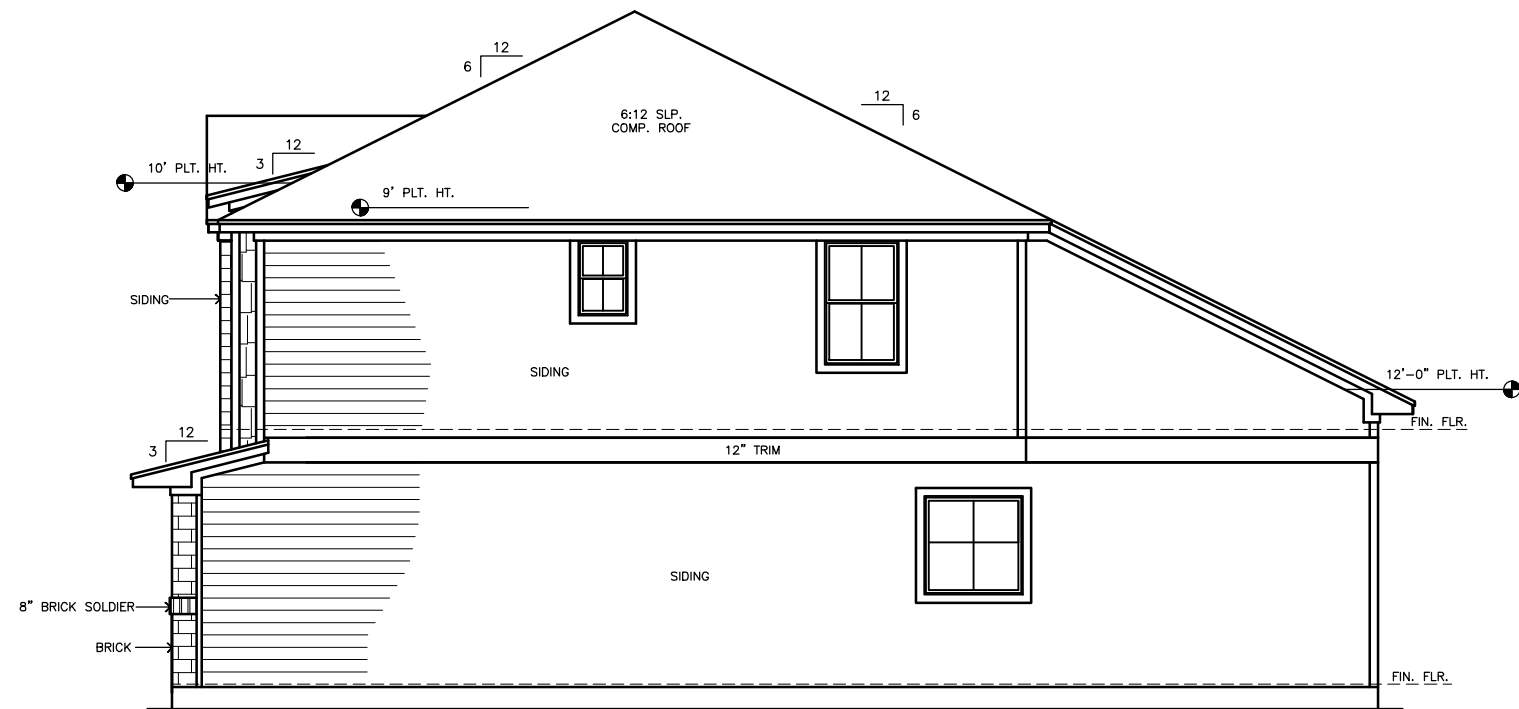
ELEVATION A
PARTIAL 1st FLOOR



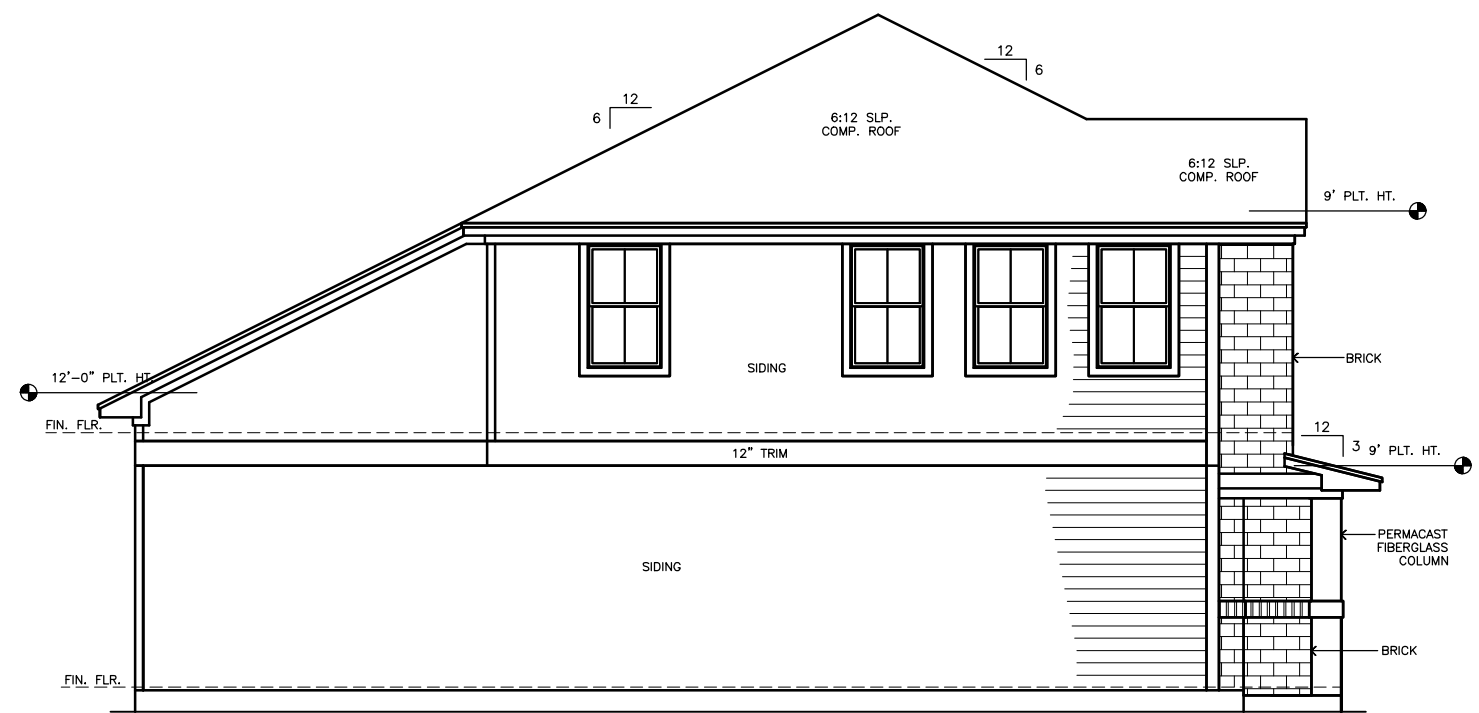
REAR ELEVATION A



CENSEO HOMES		Scale 1/8"=1'-0"
ELEVATION A FRONT & REAR ELEVATIONS		Date 01/23/19
Drawing No. 4522		Sheet 1 OF 7
		Rev. 1



RIGHT ELEVATION A



LEFT ELEVATION A

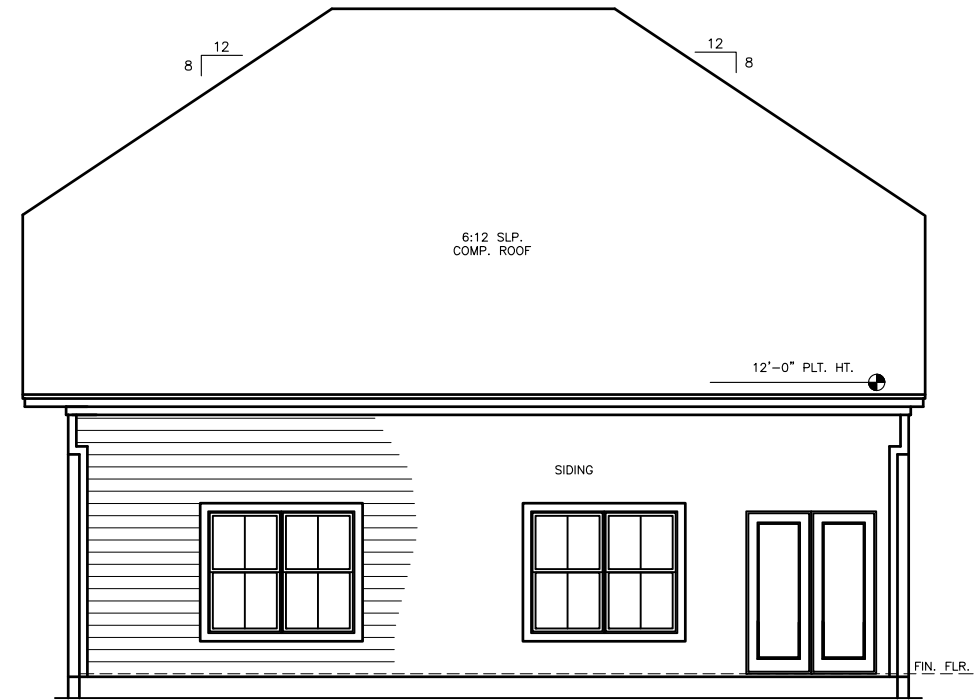
BRANCO DESIGN

E MAIL: DESIGN.SBRANCO@GMAIL.COM
PHONE: 713-829-9937

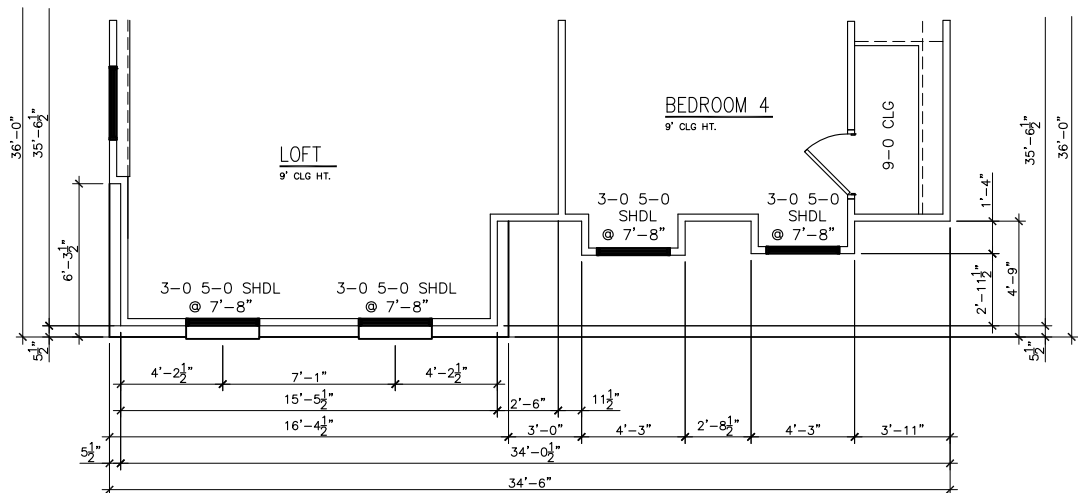
CENSEO HOMES		Scale 1/8"=1'-0"
ELEVATION A RIGHT AND LEFT ELEVATIONS		Date 01/23/19
Drawing No. 4522		Sheet 2 OF 7
		Rev. 1



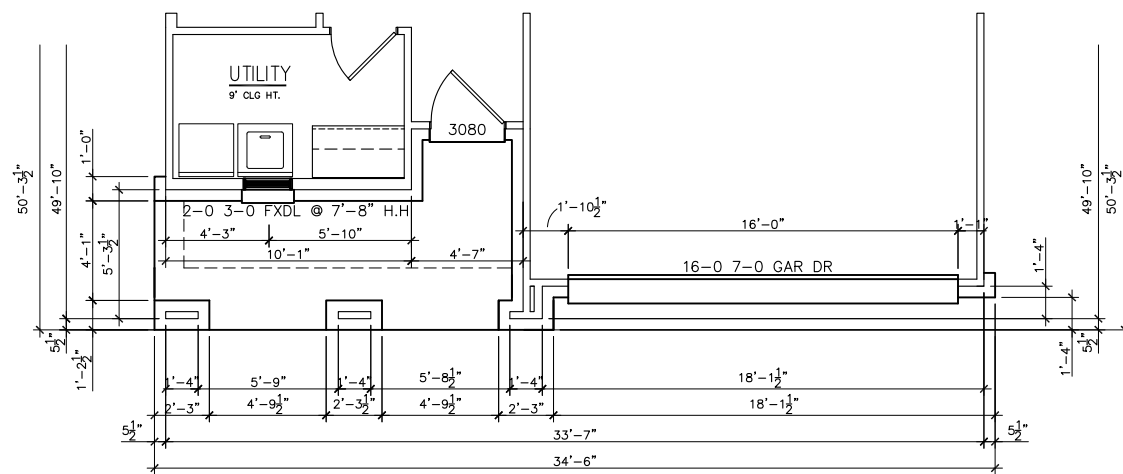
ELEVATION B



REAR ELEVATION B



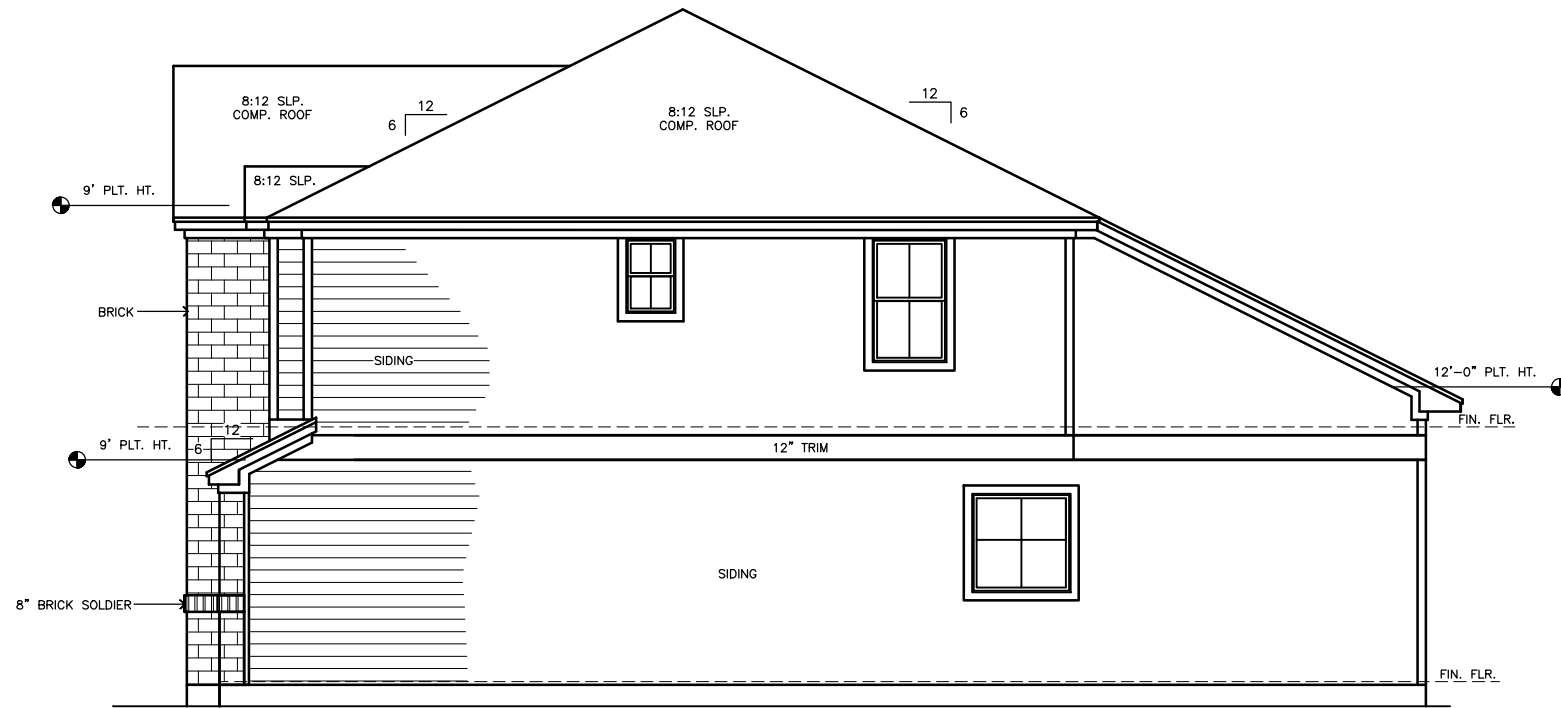
ELEVATION B
PARTIAL 2nd FLOOR



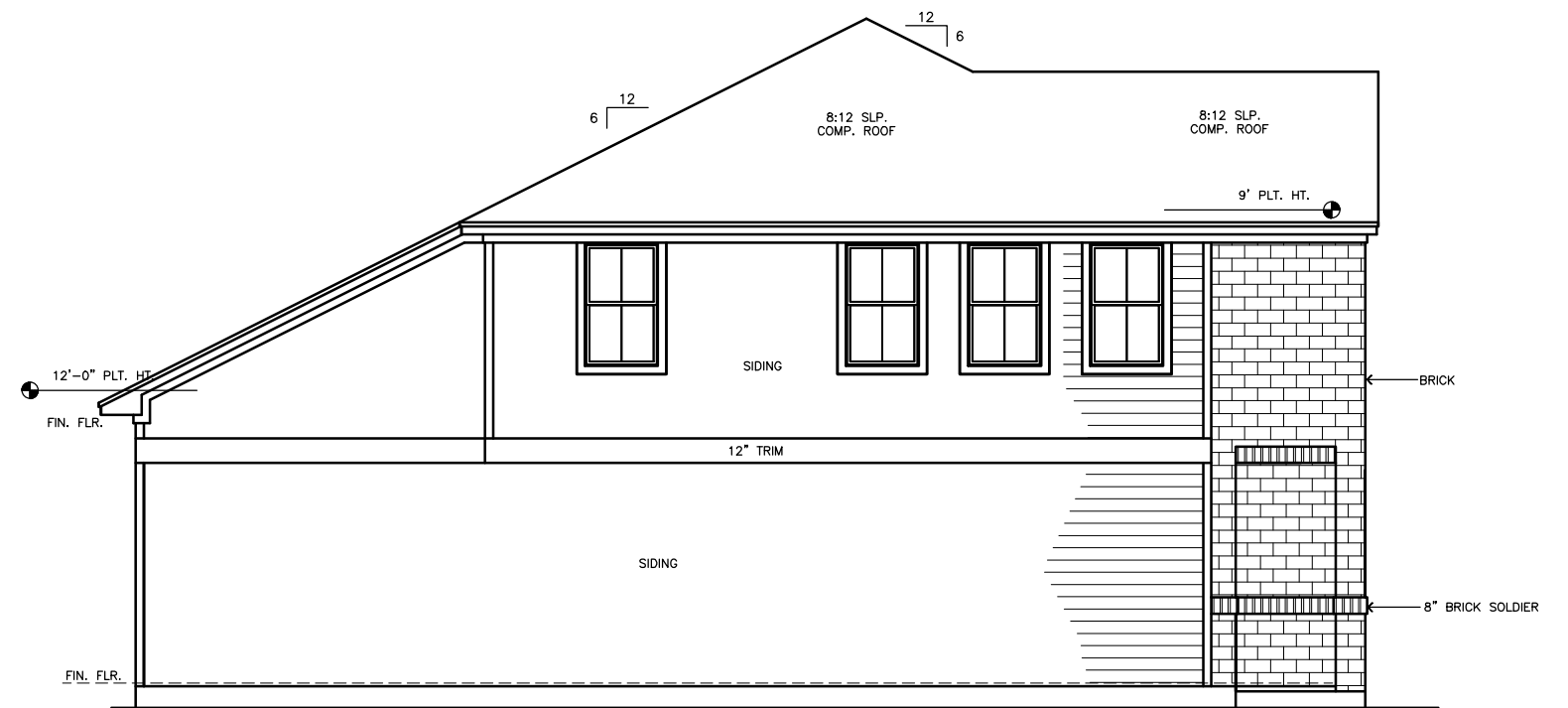
ELEVATION B
PARTIAL 1st FLOOR



CENSEO HOMES		Scale 1/8"=1'-0"
ELEVATION B FRONT & REAR ELEVATIONS		Date 01/23/19
Drawing No. 4522		Sheet 3 OF 7
		Rev. 1



RIGHT ELEVATION B



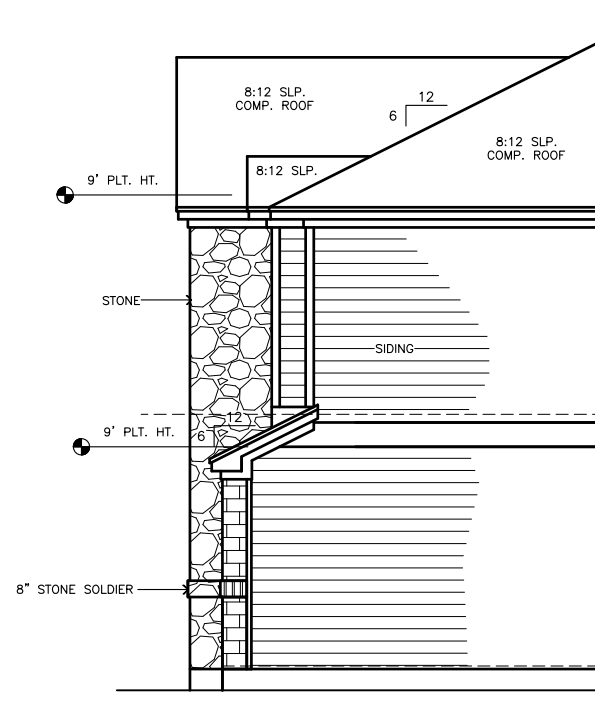
LEFT ELEVATION B



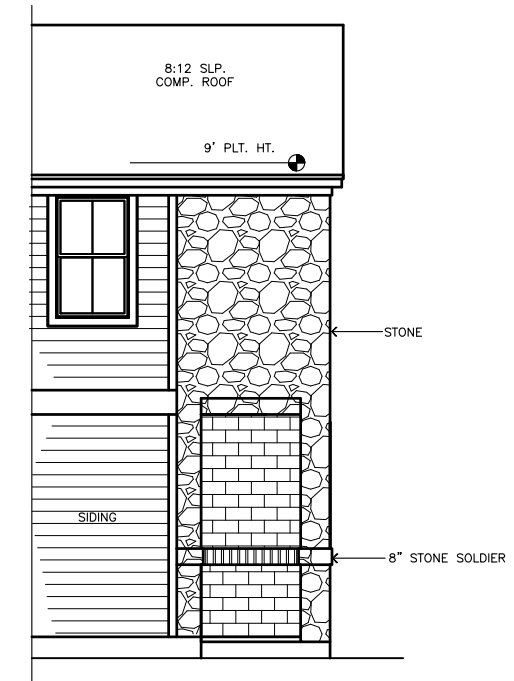
CENSEO HOMES		Scale 1/8"=1'-0"
ELEVATION B RIGHT AND LEFT ELEVATIONS		Date 01/23/19
Drawing No. 4522		Sheet 4 OF 7
		Rev. 1



FRONT ELEVATION B
STONE OPTION



RIGHT ELEVATION B
STONE OPTION



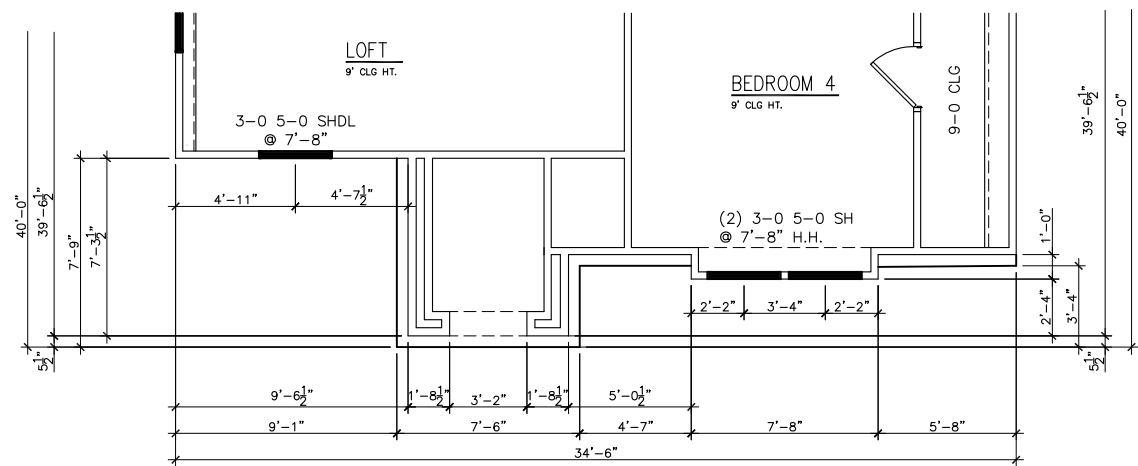
LEFT ELEVATION B
STONE OPTION



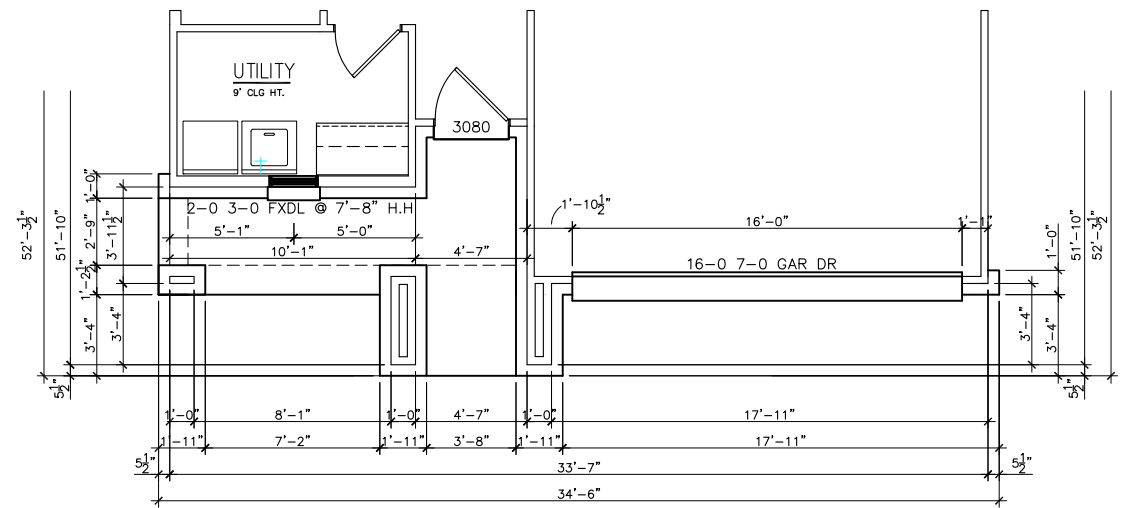
CENSEO HOMES		Scale 1/8"=1'-0"
ELEVATION B STONE OPTION		Date 01/23/19
Drawing No. 4522		Sheet 5 OF 7
		Rev. 1



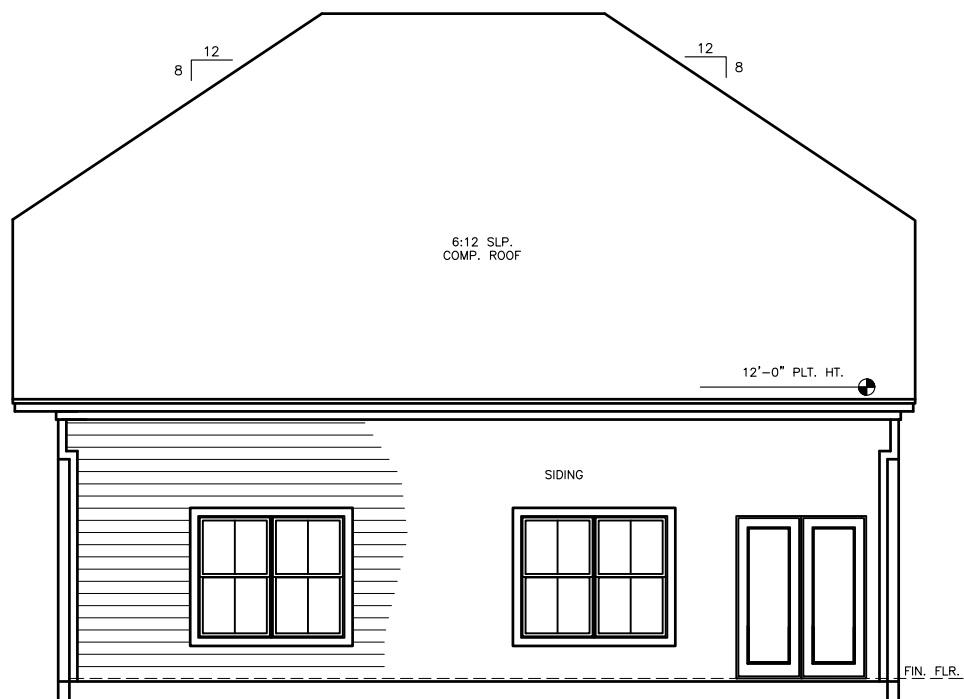
ELEVATION C



ELEVATION C
PARTIAL 2nd FLOOR



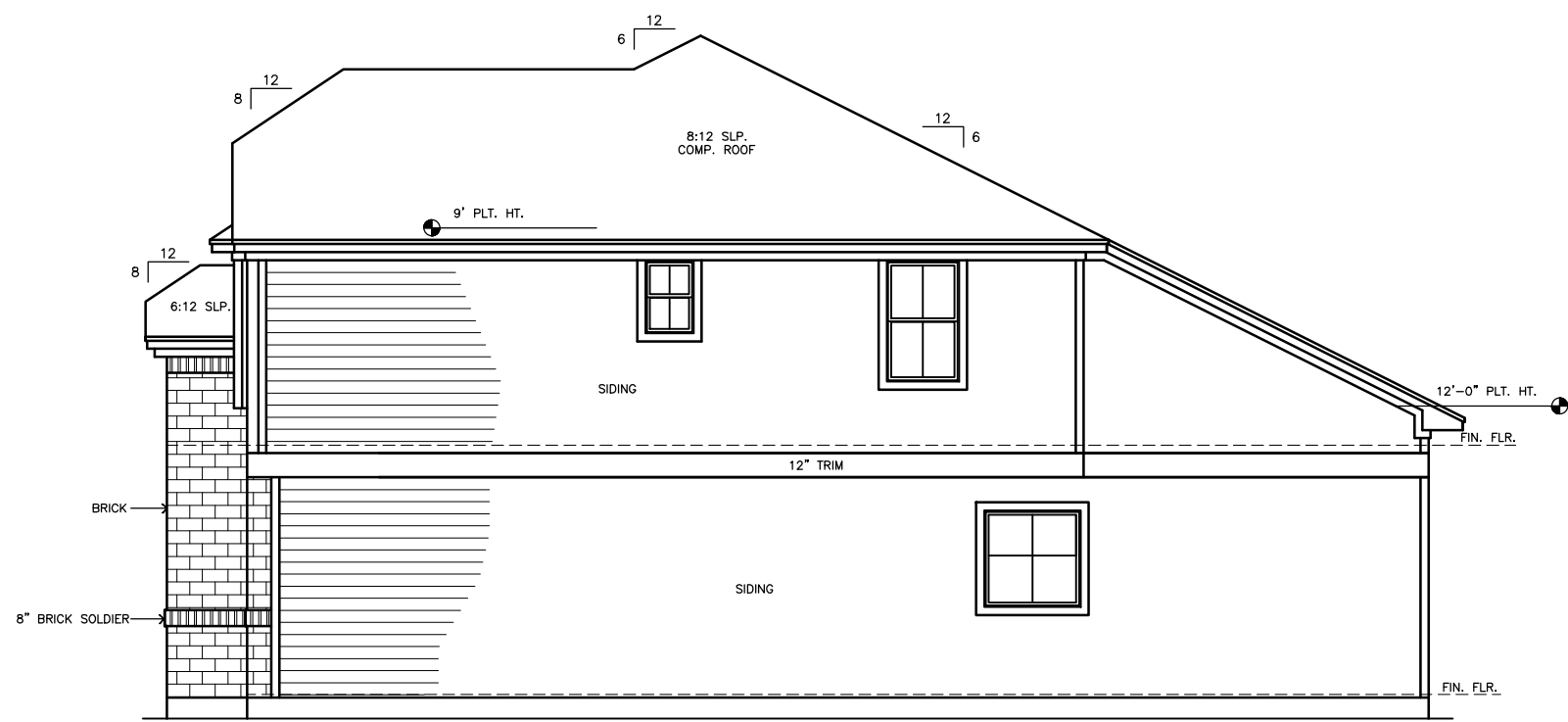
ELEVATION C
PARTIAL 1st FLOOR



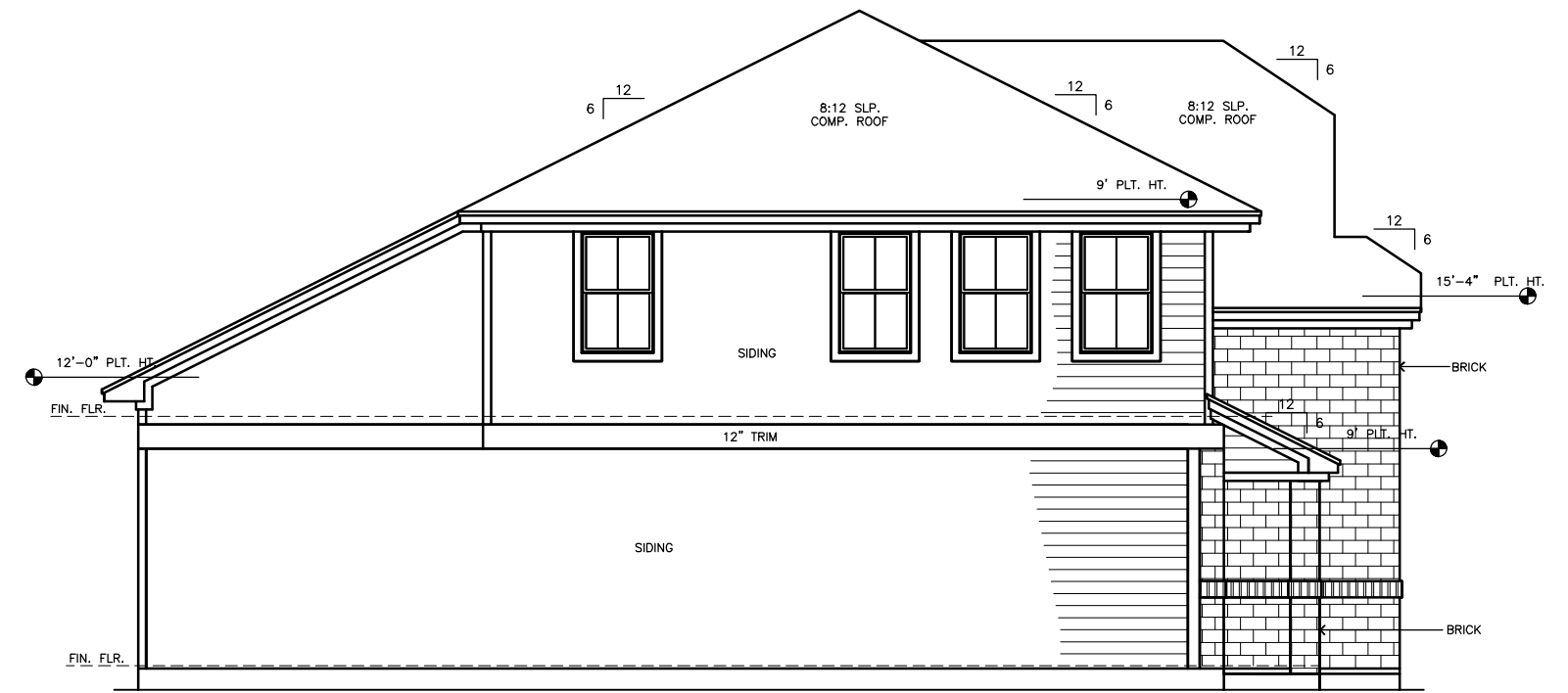
REAR ELEVATION C

BRANCO DESIGN
 E MAIL: DESIGN.SBRANCO@GMAIL.COM
 PHONE: 713-829-9937

CENSEO HOMES		Scale 1/8"=1'-0"
ELEVATION C FRONT & REAR ELEVATIONS		Date 01/23/19
Drawing No. 4522		Sheet 6 OF 7
		Rev. 1



RIGHT ELEVATION C



LEFT ELEVATION C



CENSEO HOMES		Scale 1/8"=1'-0"
ELEVATION C RIGHT AND LEFT ELEVATIONS		Date 01/23/19
Drawing No. 4522		Sheet 7 OF 7
		Rev. 1