



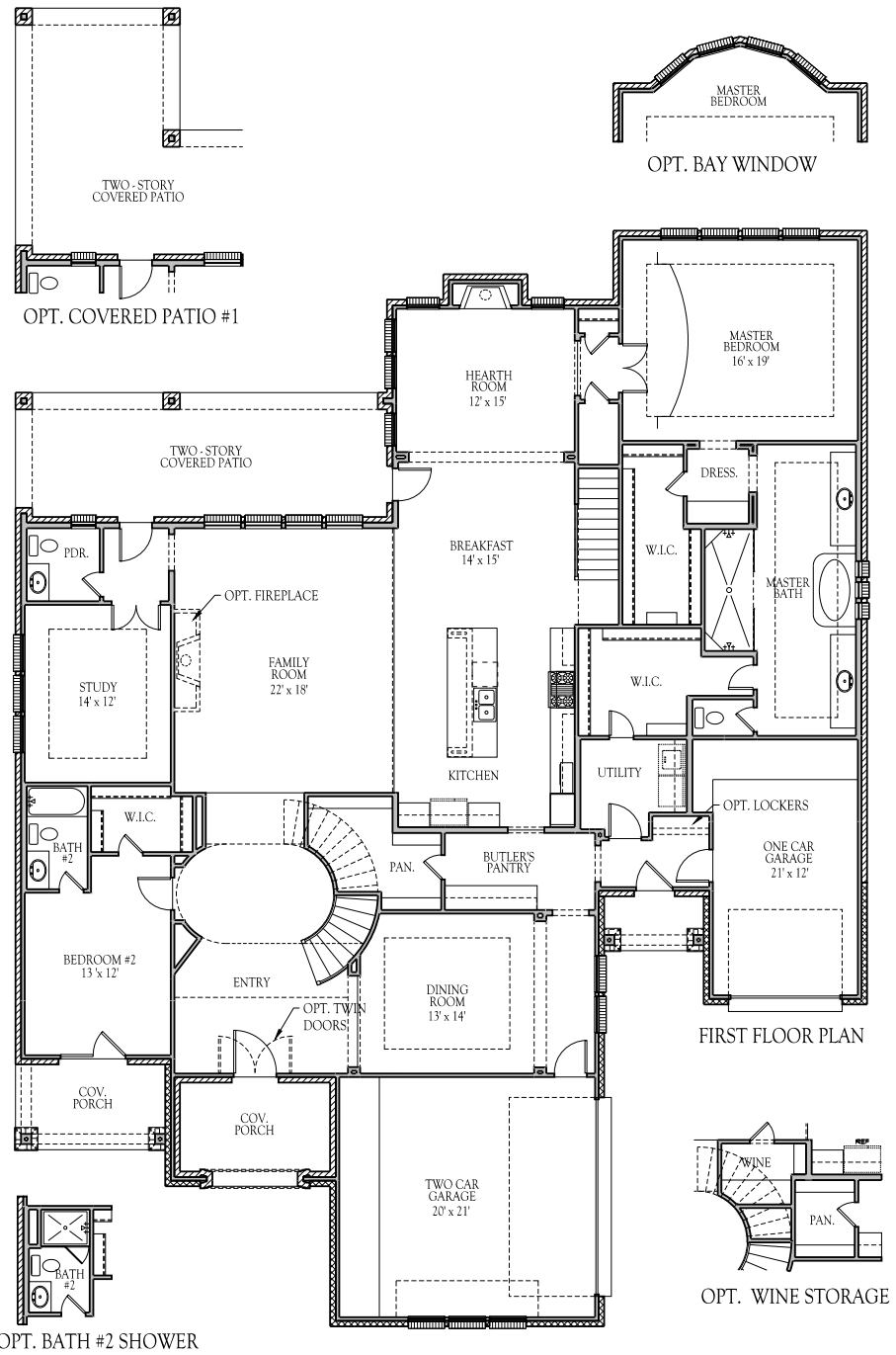
ELEVATION B



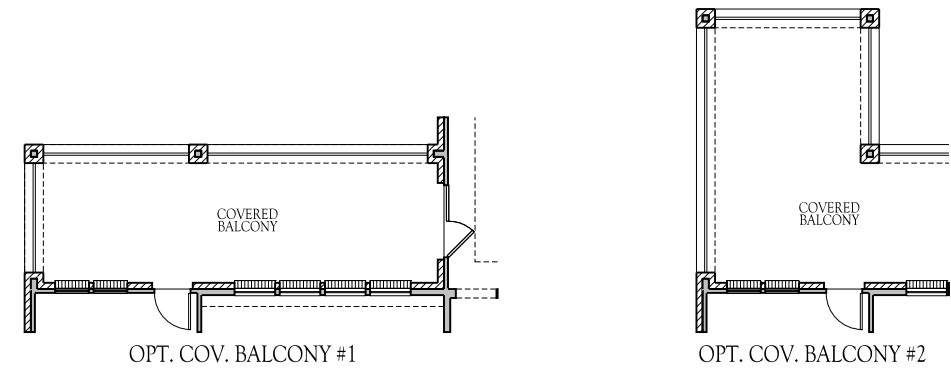
ELEVATION C



ELEVATION D

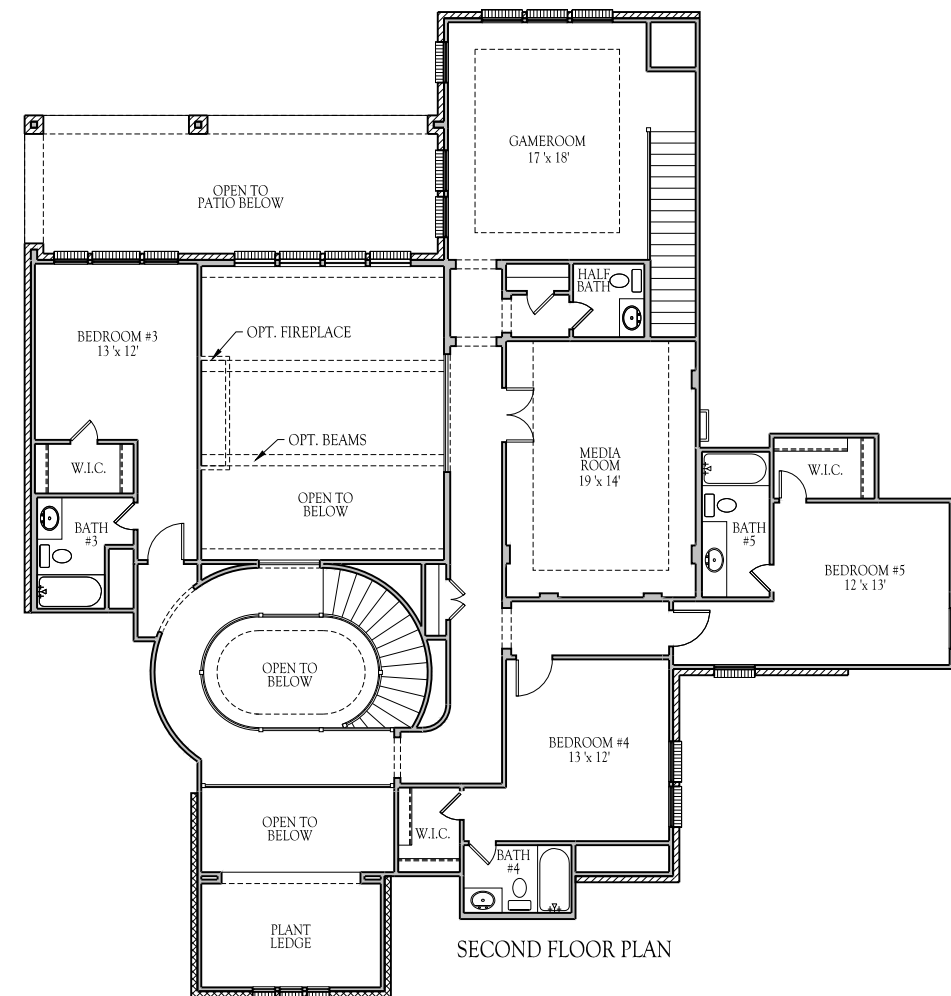


FIRST FLOOR PLAN



OPT. COV. BALCONY #1

OPT. COV. BALCONY #2



SECOND FLOOR PLAN

All information (including, but not limited to prices, views, availability, incentives, floor plans, site plans, features, standards and options, assessments and fees, planned amenities, programs, conceptual artists' renderings and community development plans) deemed reliable as of publication date but not guaranteed and remains subject to change daily or delay without notice. Floor plans and elevations are an artist's conception and are not intended to show specific detailing. Maps and plans are not to scale and all dimensions are approximate. As-Built Condition will control. Inventory/Model Homes may include additional room options and/or upgrades to standard features. Price(s) shown may not reflect lot premiums, upgrades and options. Not an offer in any state where prohibited or otherwise restricted by law. Please see a Community Sales Manager and visit [www.darlinghomes.com](http://www.darlinghomes.com) for details. © March, 2017 Darling Homes of Texas, LLC All rights reserved. 03/09/17