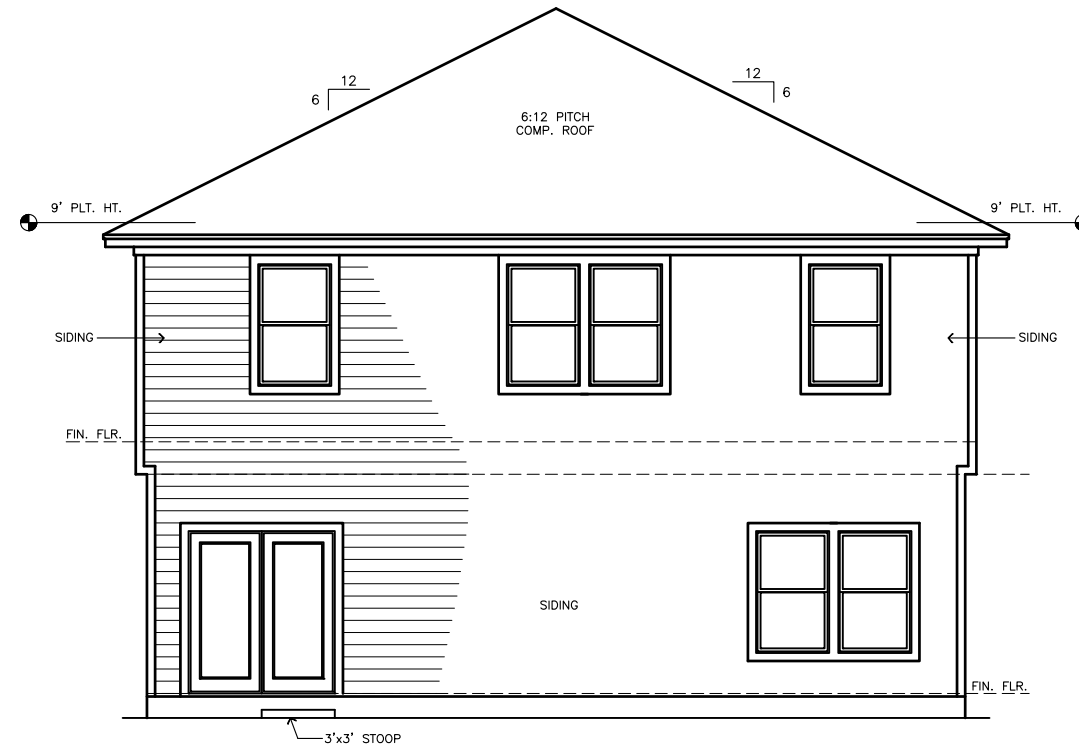
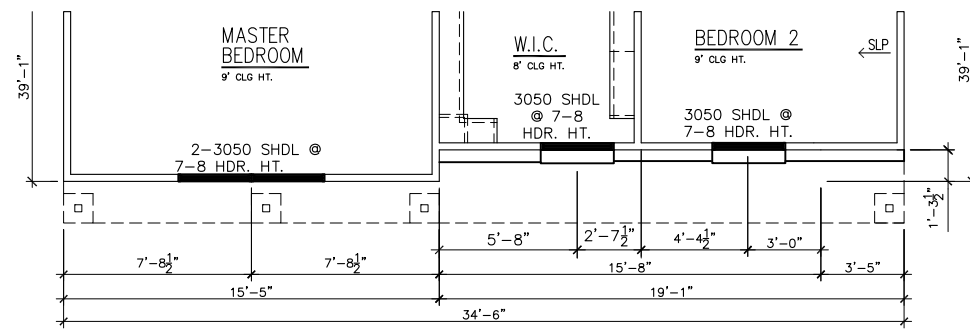




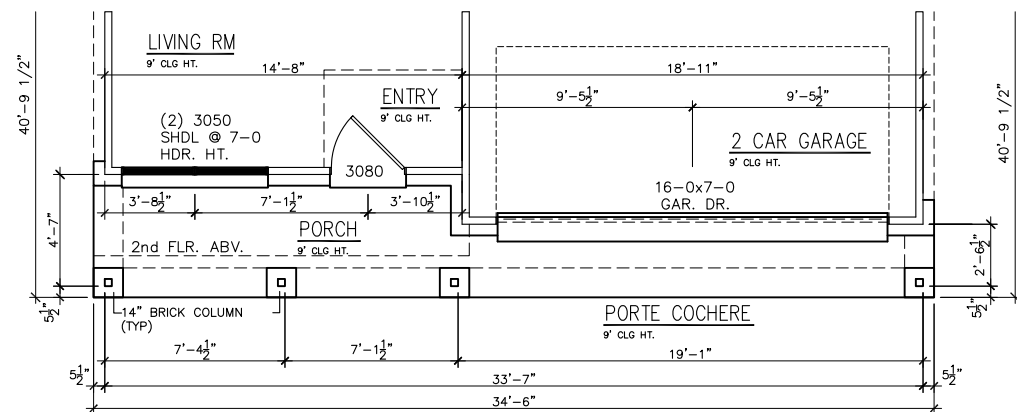
ELEVATION A



REAR ELEVATION A



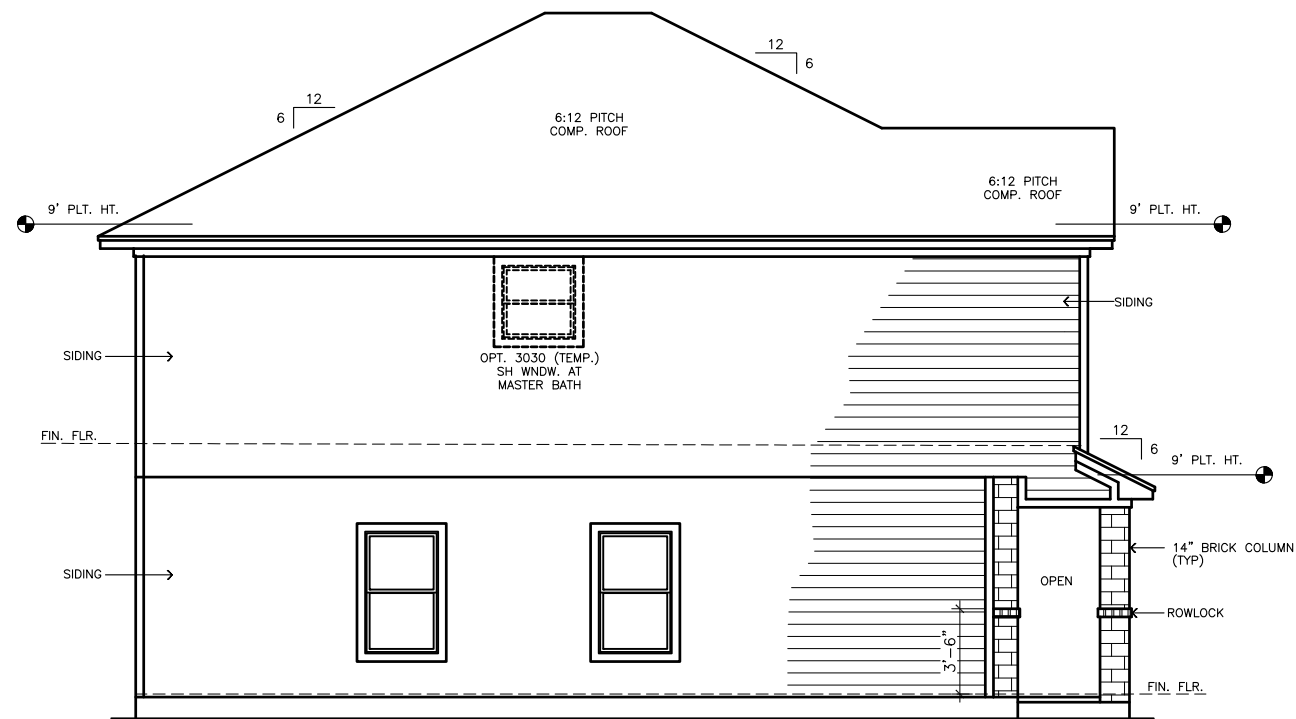
ELEVATION B
PARTIAL 2nd FLOOR



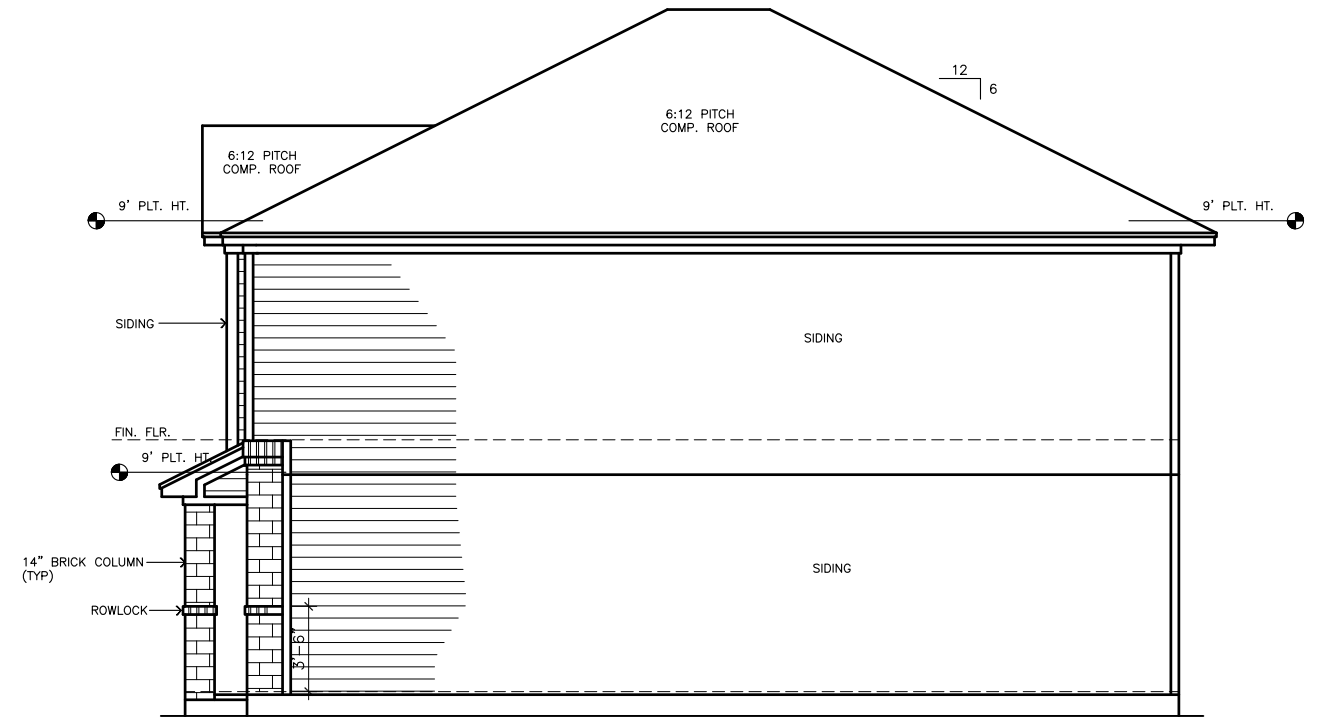
ELEVATION A
PARTIAL 1st FLOOR



CENSEO HOMES		Scale 1/8"=1'-0"
ELEVATION A FRONT & REAR ELEVATIONS		Date 01/15/19
		Sheet 1 OF 6
Drawing No.	4520	Rev. 1



LEFT ELEVATION B



RIGHT ELEVATION A

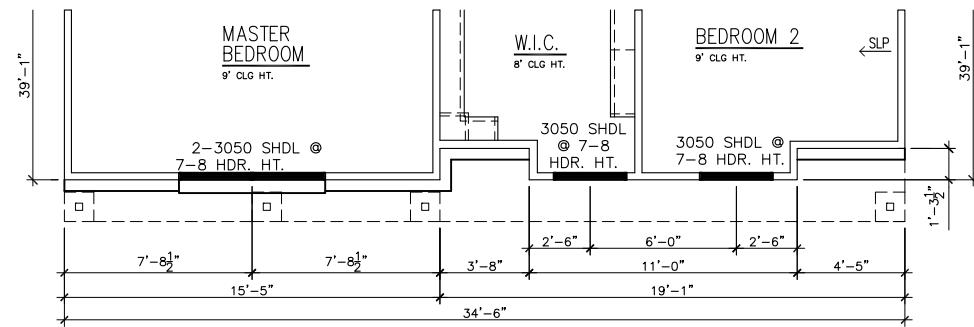


CENSEO HOMES		Scale 1/8"=1'-0"
ELEVATION A RIGHT AND LEFT ELEVATIONS		Date 01/15/19
Drawing No. 4520		Sheet 2 OF 6
		Rev. 1

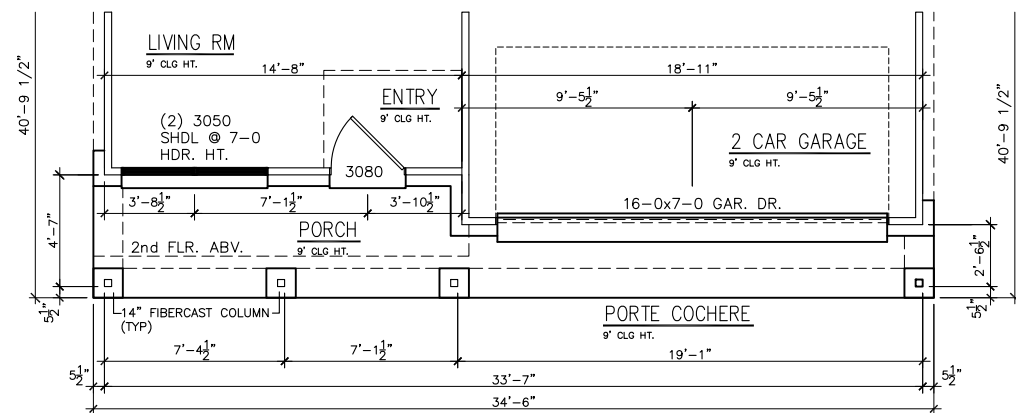


ELEVATION B

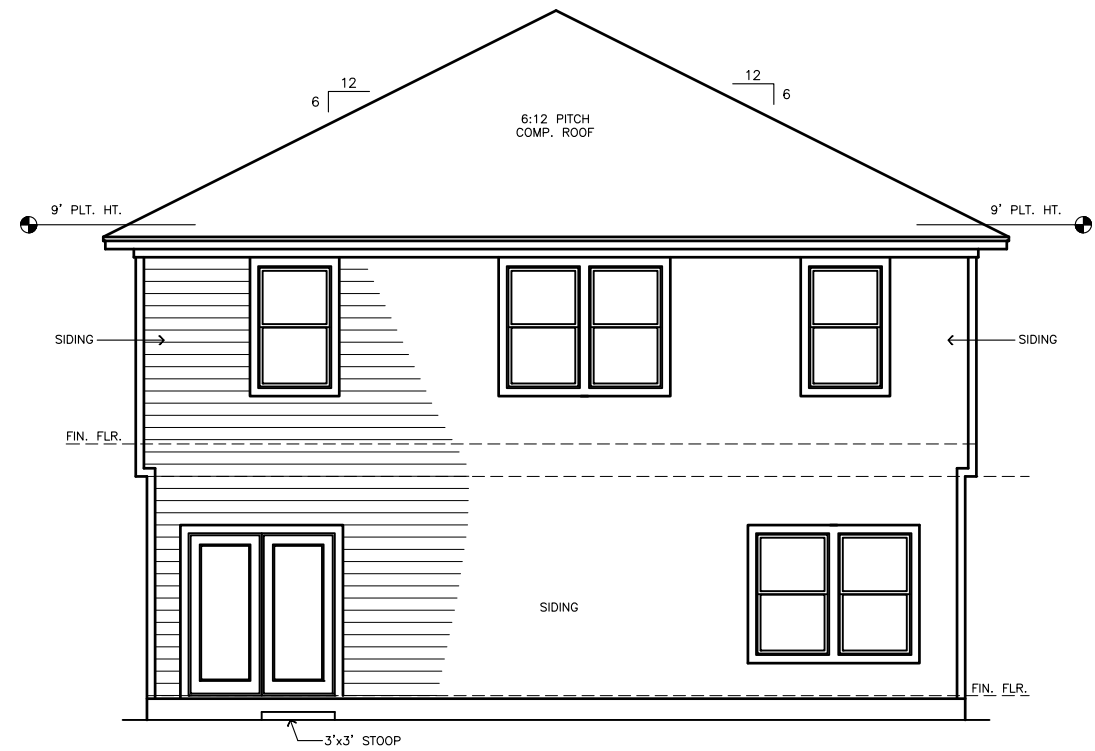
NOTE: ADD 9 SQ.FT.



**ELEVATION B
PARTIAL 2nd FLOOR**



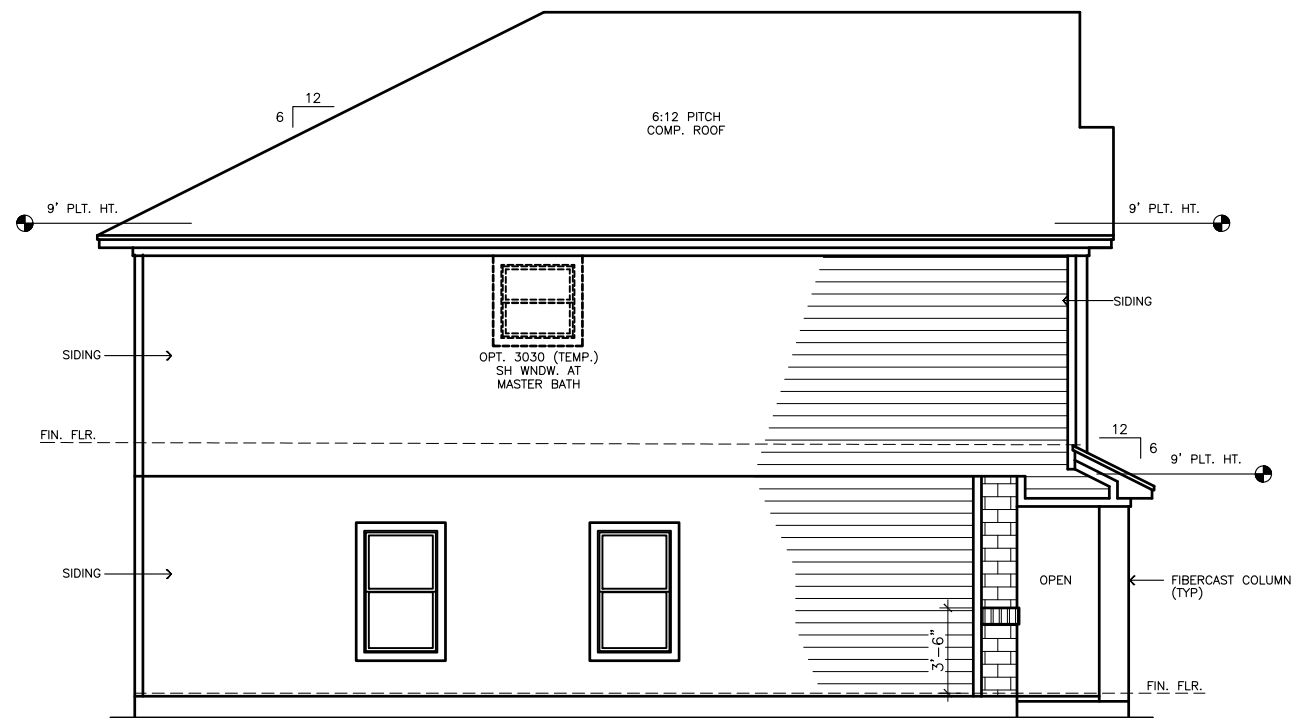
**ELEVATION B
PARTIAL 1st FLOOR**



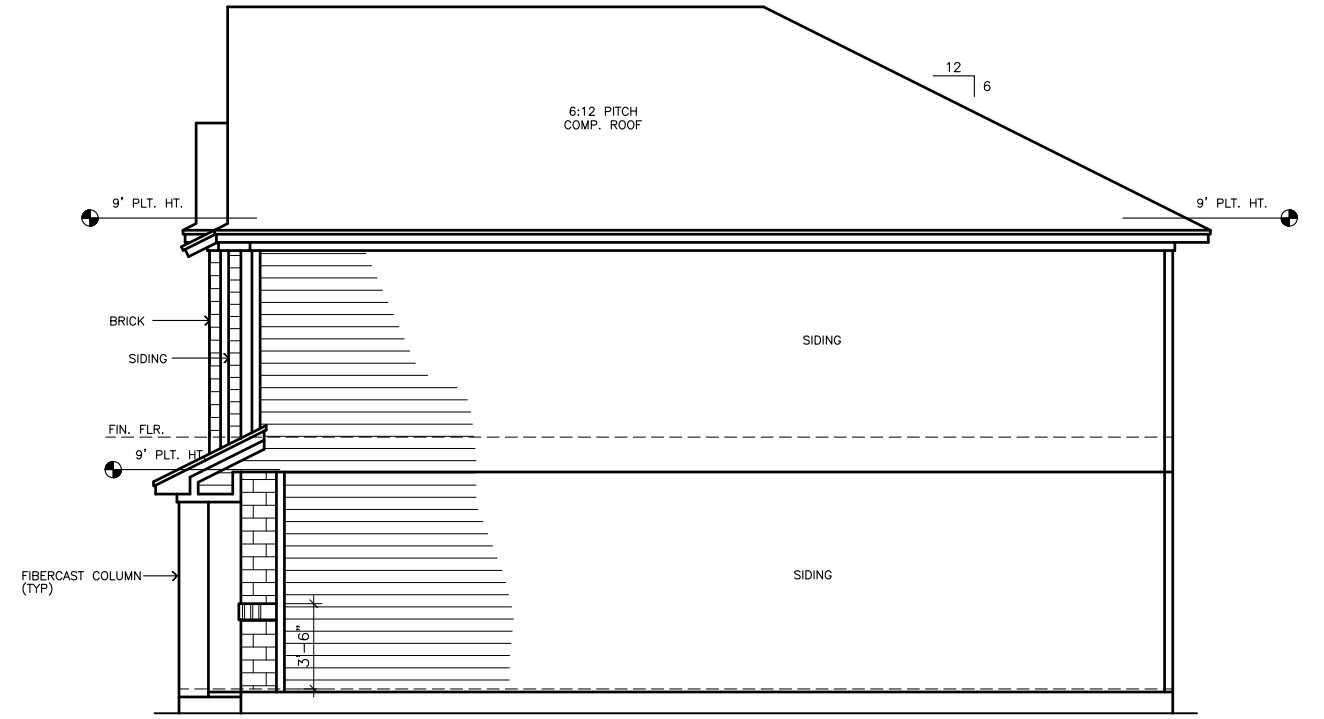
REAR ELEVATION B



CENSEO HOMES		Scale 1/8"=1'-0"
ELEVATION B FRONT & REAR ELEVATIONS		Date 01/15/19
Drawing No. 4520		Sheet 3 OF 6
		Rev. 1



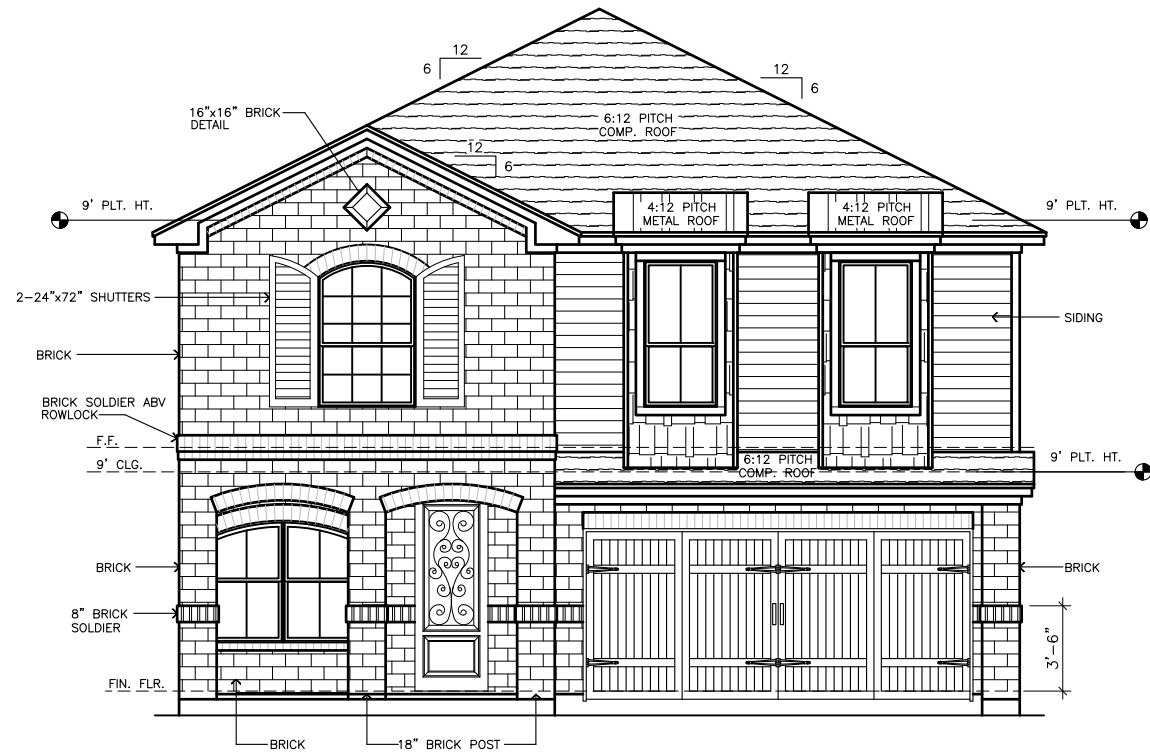
LEFT ELEVATION B



RIGHT ELEVATION B

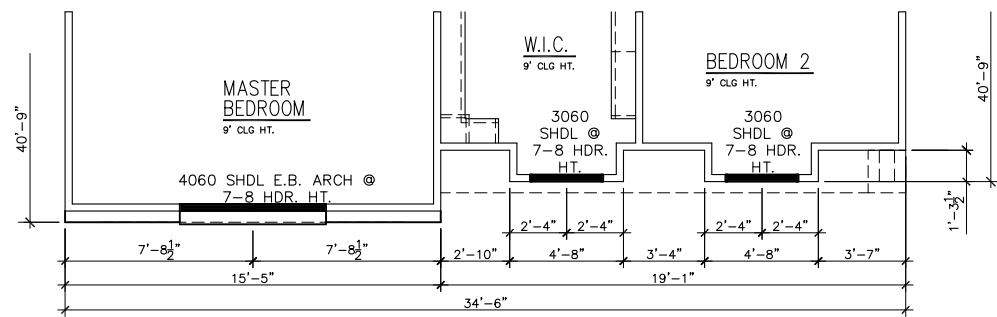


CENSEO HOMES		Scale 1/8"=1'-0"
ELEVATION B RIGHT AND LEFT ELEVATIONS		Date 01/15/19
Drawing No. 4520		Sheet 4 OF 6
		Rev. 1

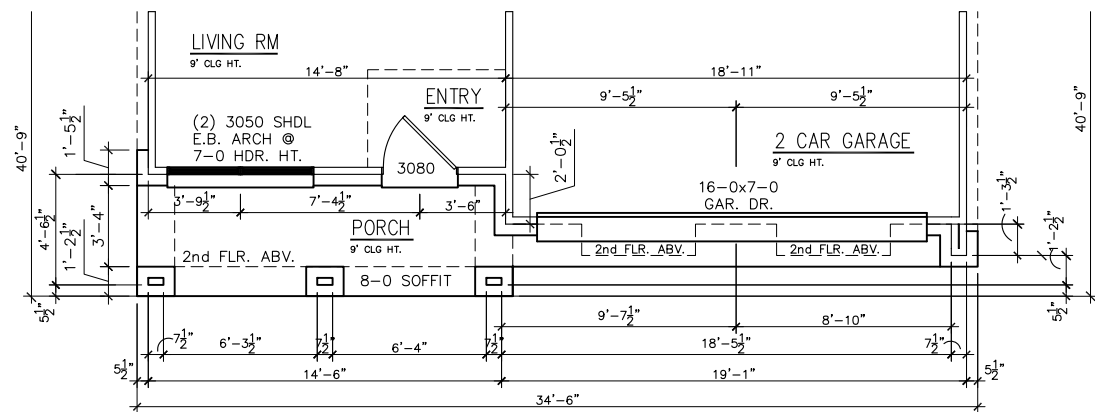


ELEVATION C

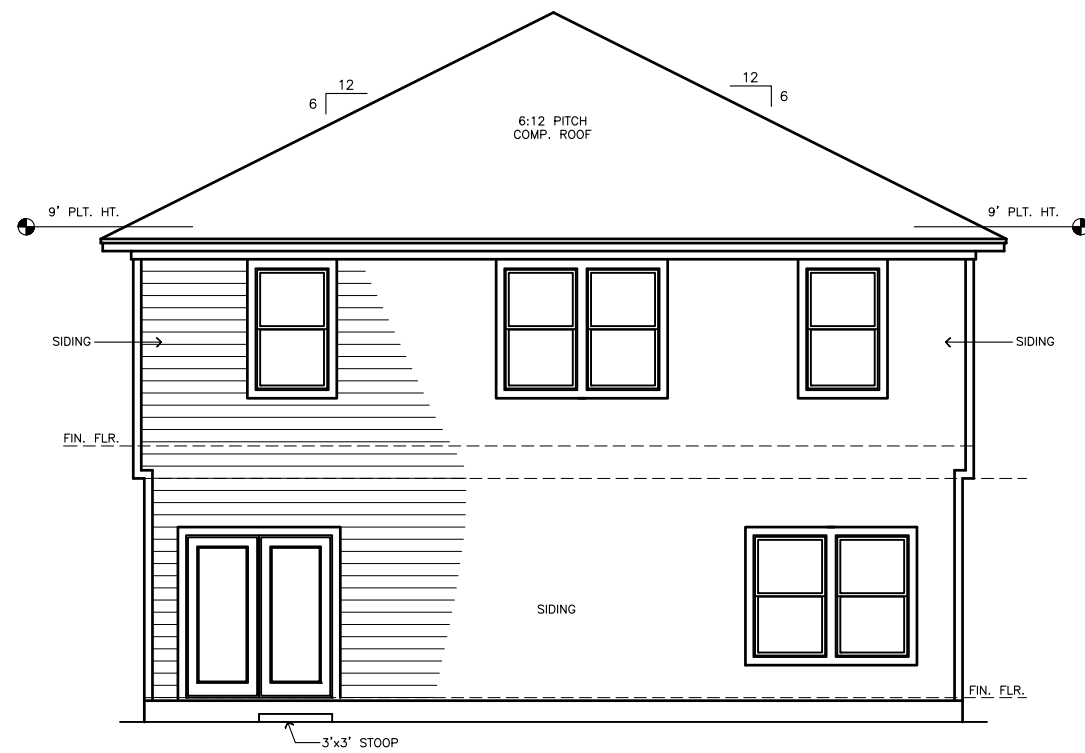
NOTE: ADD 45 SQ.FT.



ELEVATION C
PARTIAL 2nd FLOOR



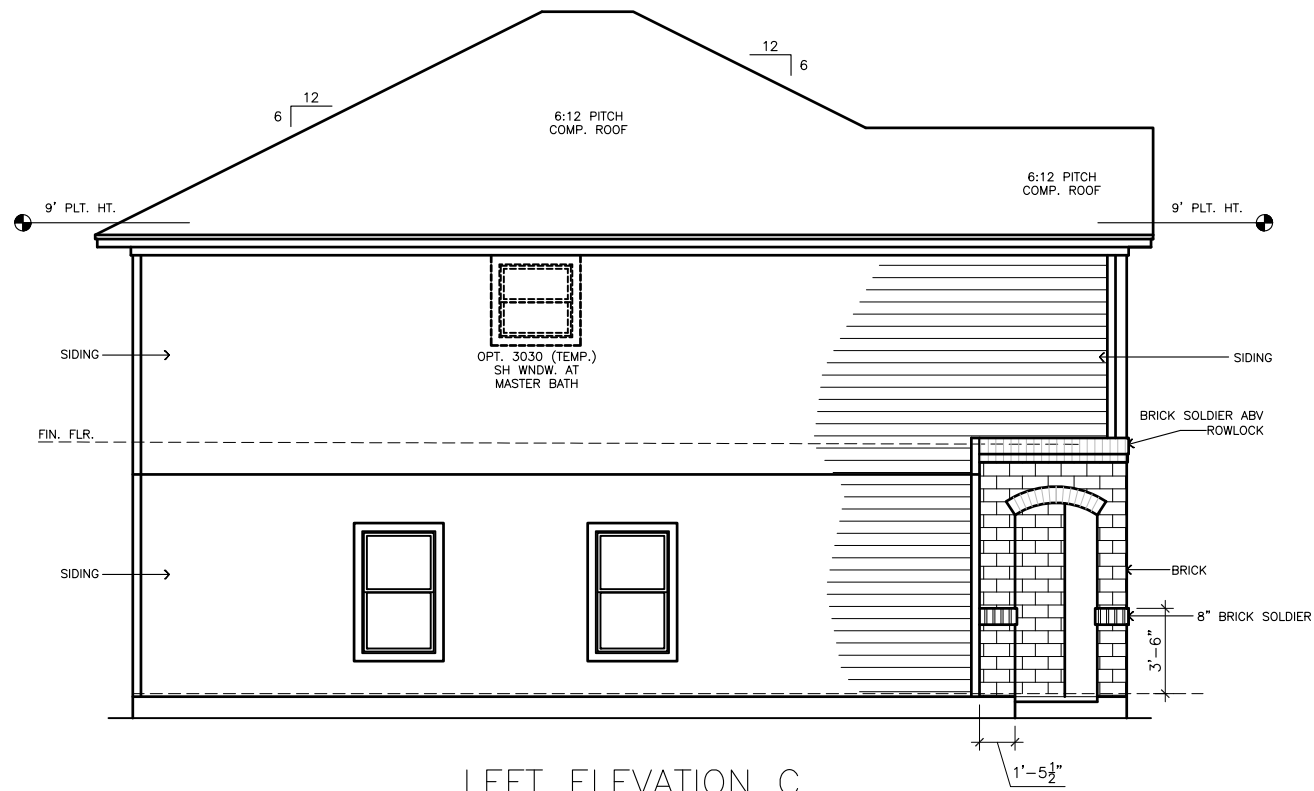
ELEVATION C
PARTIAL 1st FLOOR



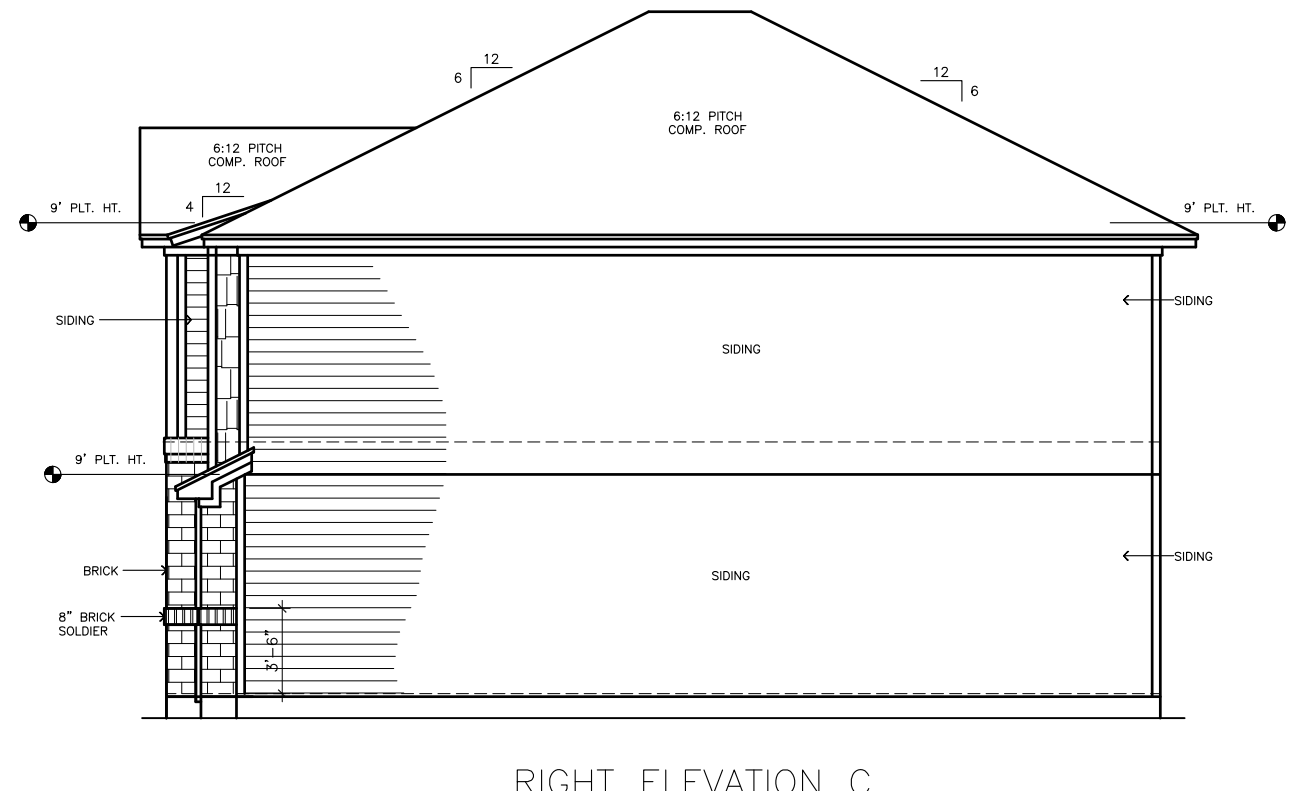
REAR ELEVATION C



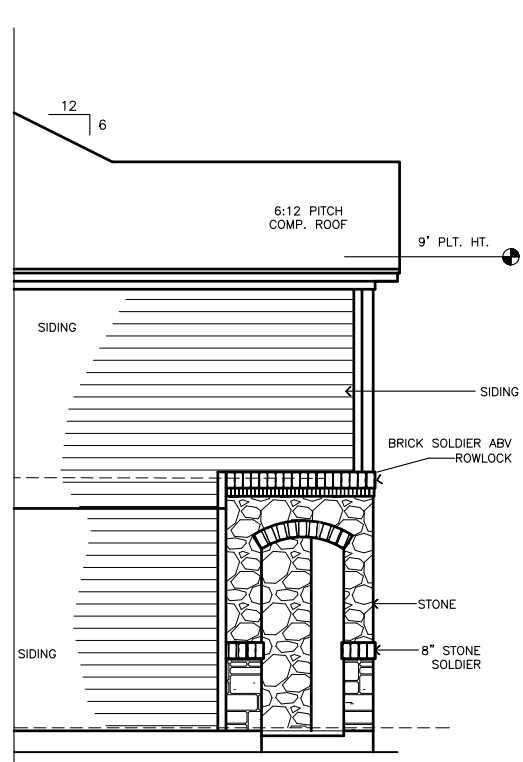
CENSEO HOMES		Scale 1/8"=1'-0"
ELEVATION C FRONT & REAR ELEVATIONS		Date 01/15/19
Drawing No. 4520		Sheet 5 OF 6
		Rev. 1



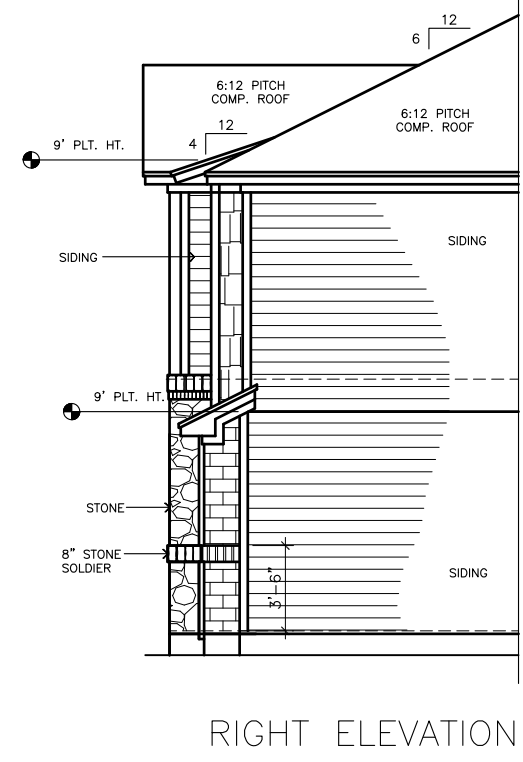
LEFT ELEVATION C



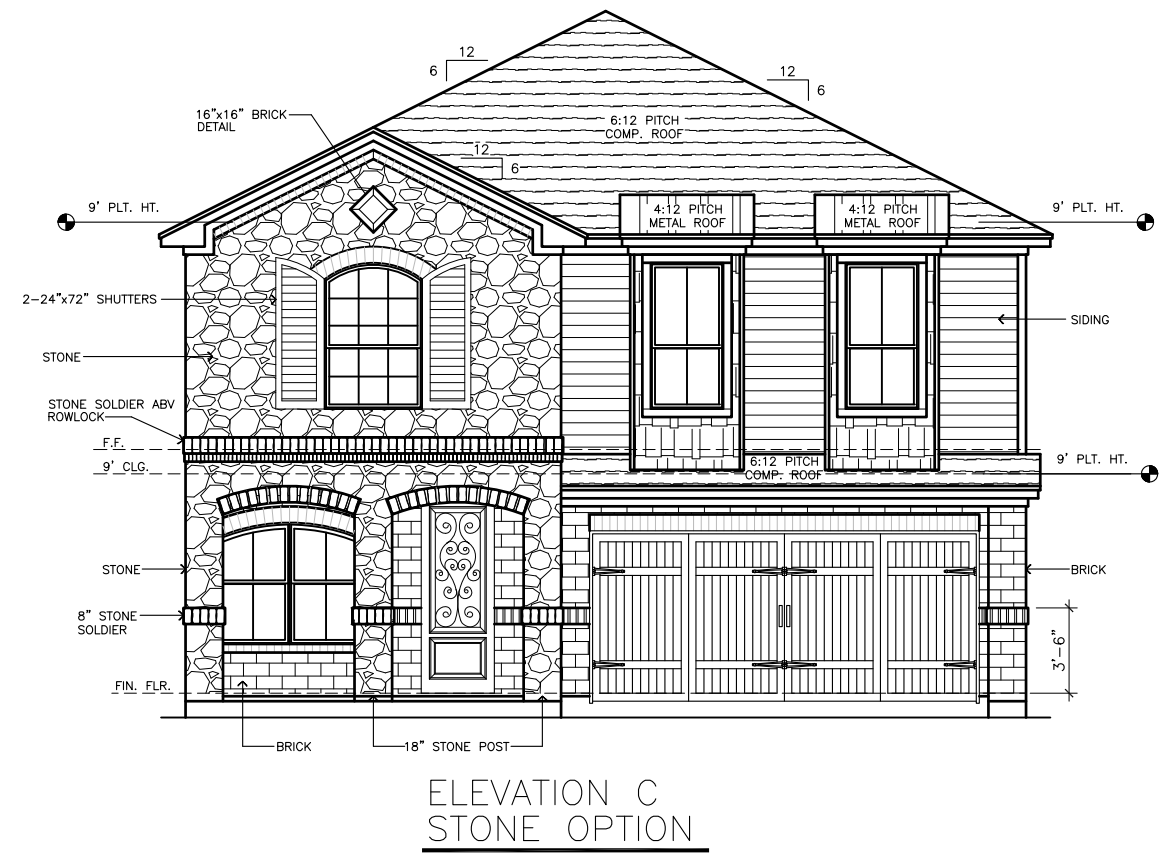
RIGHT ELEVATION C



LEFT ELEVATION C
STONE OPTION



RIGHT ELEVATION C
STONE OPTION



ELEVATION C
STONE OPTION



CENSEO HOMES		Scale 1/8"=1'-0"
ELEVATION C RIGHT AND LEFT ELEVATIONS STONE OPTION		Date 01/15/19
Drawing No. 4520		Sheet 6 OF 6
		Rev. 1