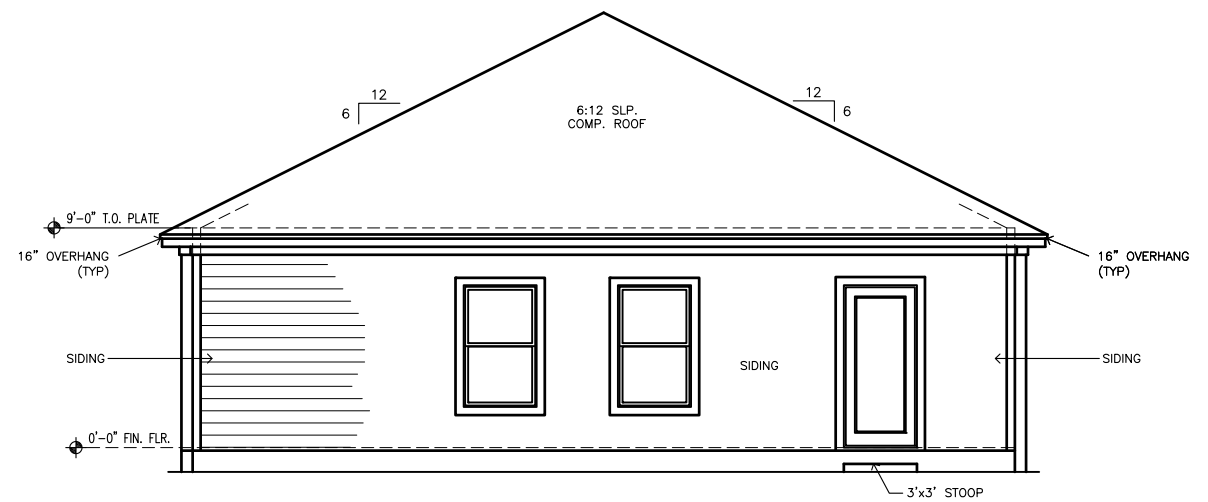
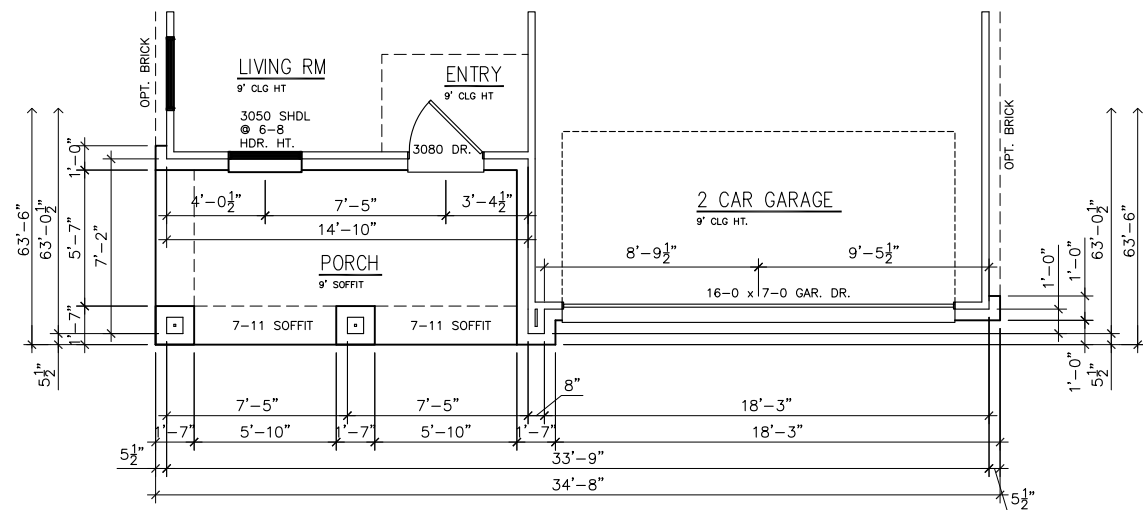


ELEVATION A



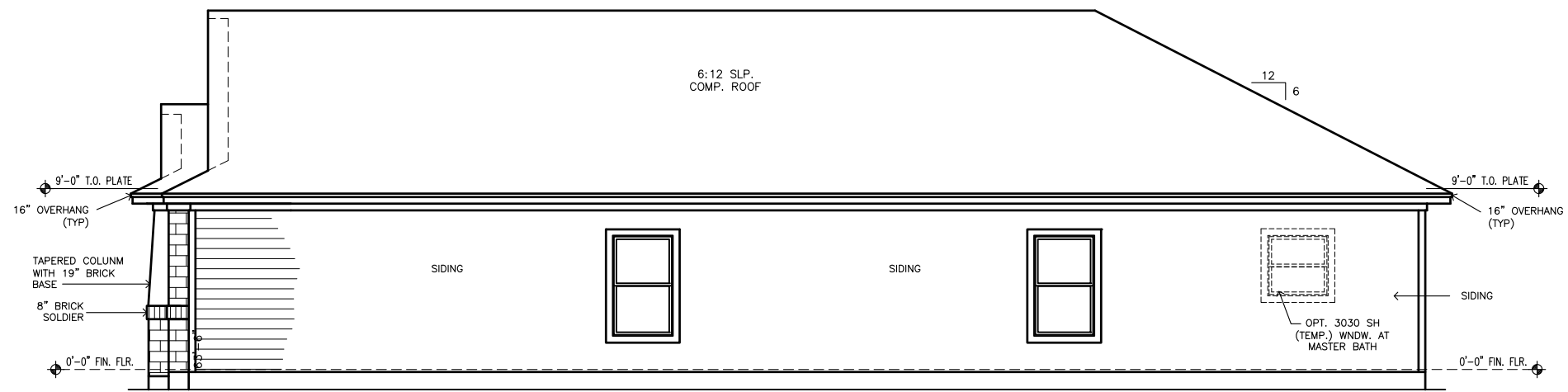
REAR ELEVATION A



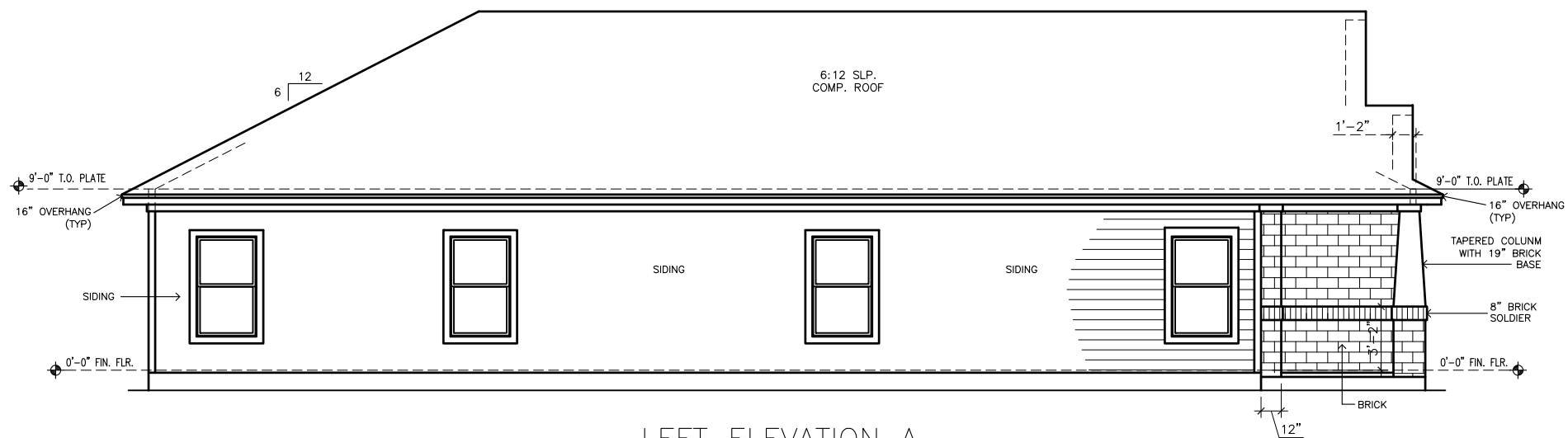
ELEVATION A  
PARTIAL FLOOR PLAN



<b>CENSEO HOMES</b>		Scale 1/8"=1'-0"
ELEVATION A FRONT & REAR ELEVATIONS		Date 01/12/19
Drawing No. 4510		Sheet 1 OF 6
		Rev. 1



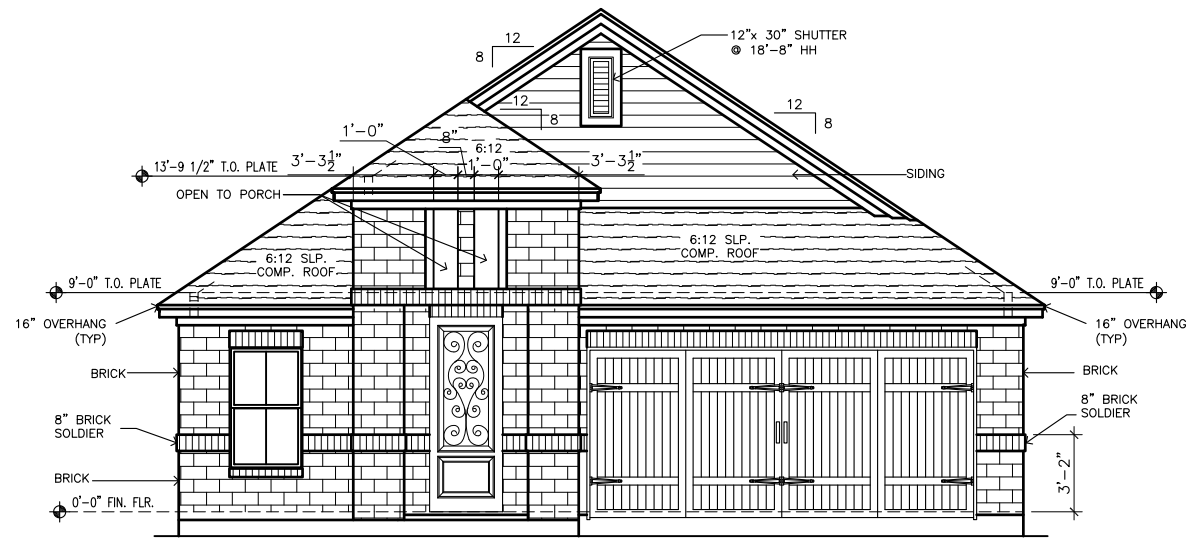
RIGHT ELEVATION A



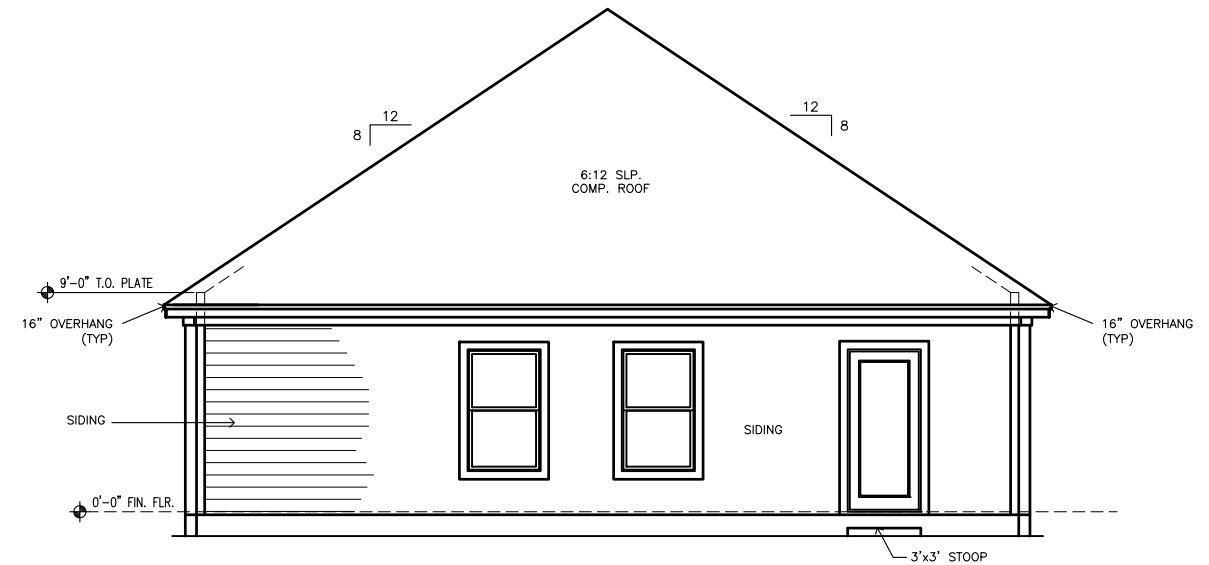
LEFT ELEVATION A



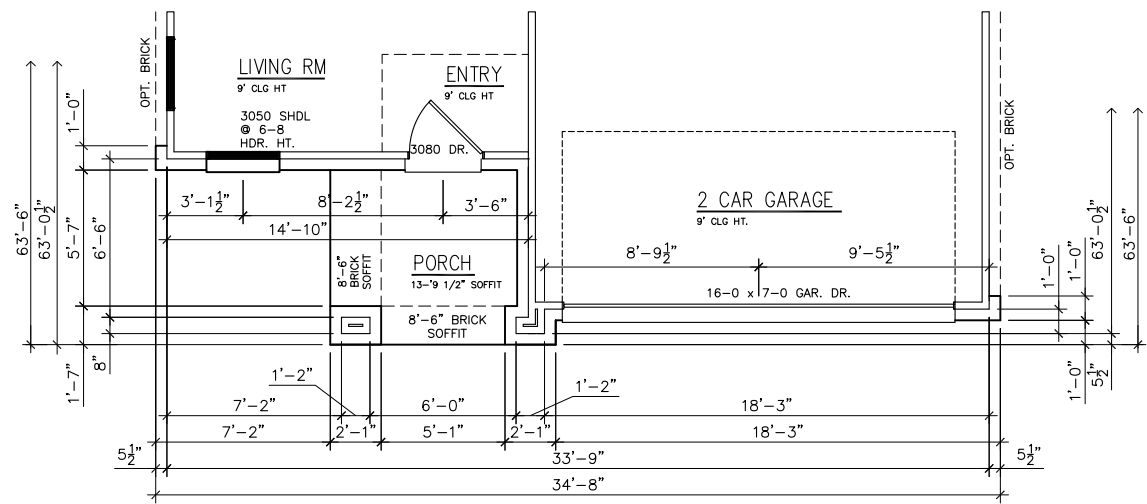
<b>CENSEO HOMES</b>		Scale 1/8"=1'-0"
ELEVATION A RIGHT & LEFT ELEVATIONS		Date 01/12/19
Drawing No. 4510		Sheet 2 OF 6
		Rev. 1



ELEVATION B



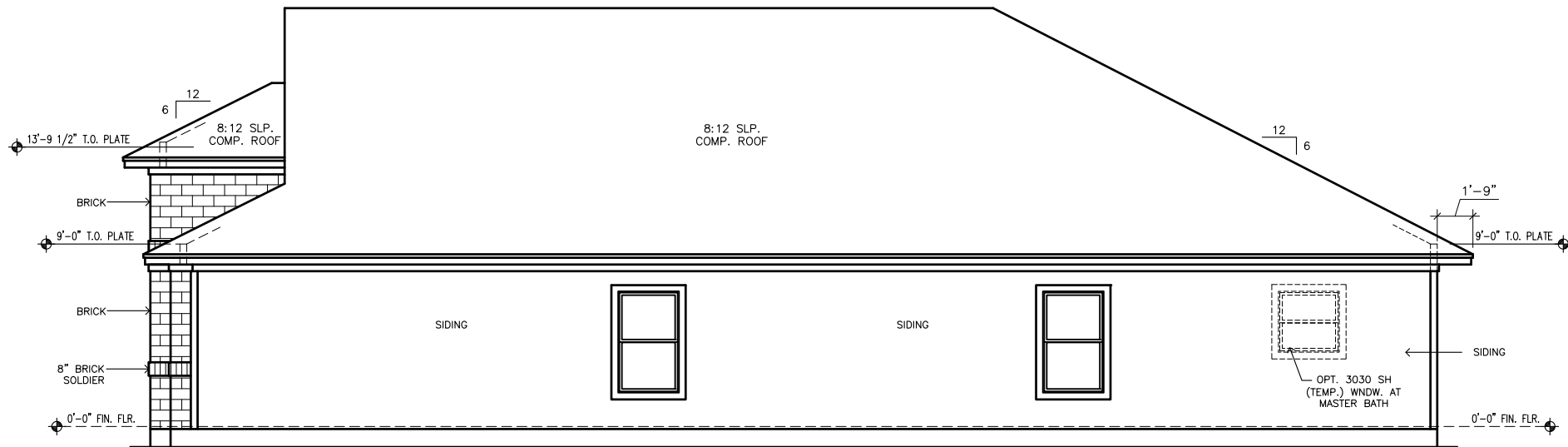
REAR ELEVATION B



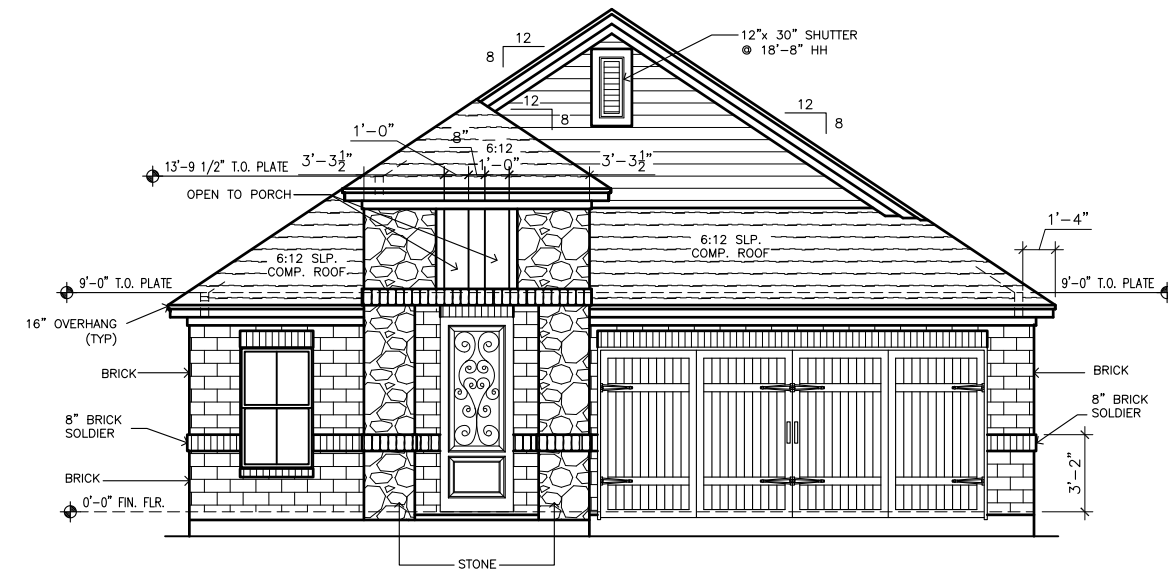
ELEVATION B  
PARTIAL FLOOR PLAN



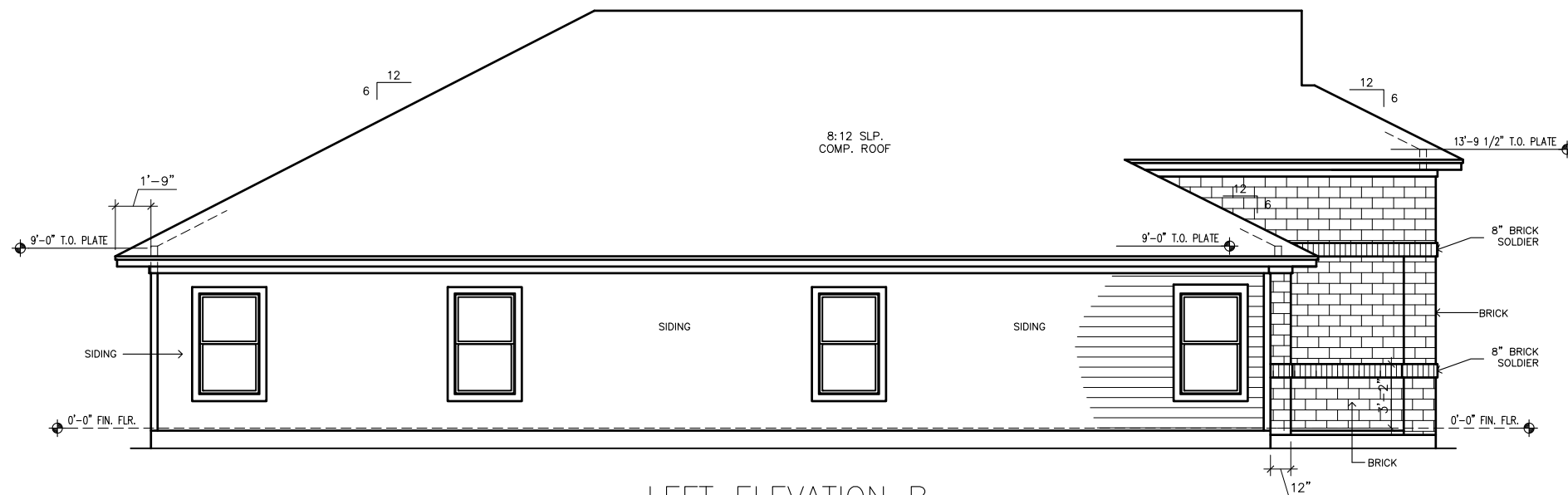
<b>CENSEO HOMES</b>		Scale 1/8"=1'-0"
ELEVATION B FRONT & REAR ELEVATIONS		Date 01/12/19
Drawing No. 4510		Sheet 3 OF 6
		Rev. 1



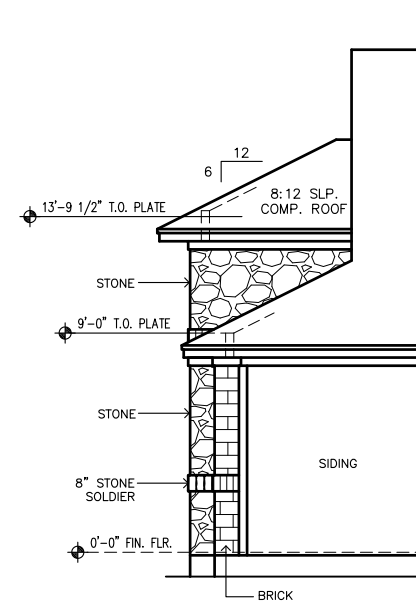
RIGHT ELEVATION B



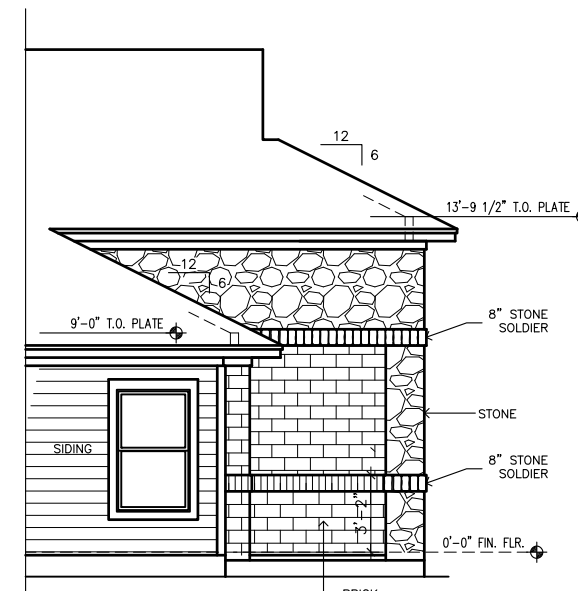
ELEVATION B  
STONE OPTION



LEFT ELEVATION B



RIGHT ELEVATION B

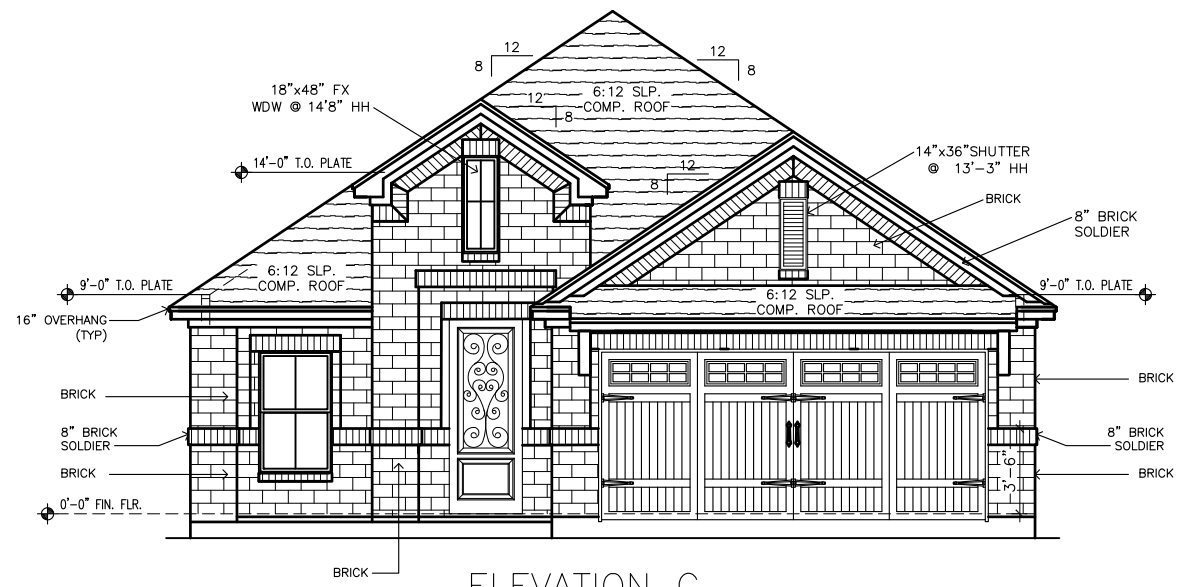


LEFT ELEVATION B

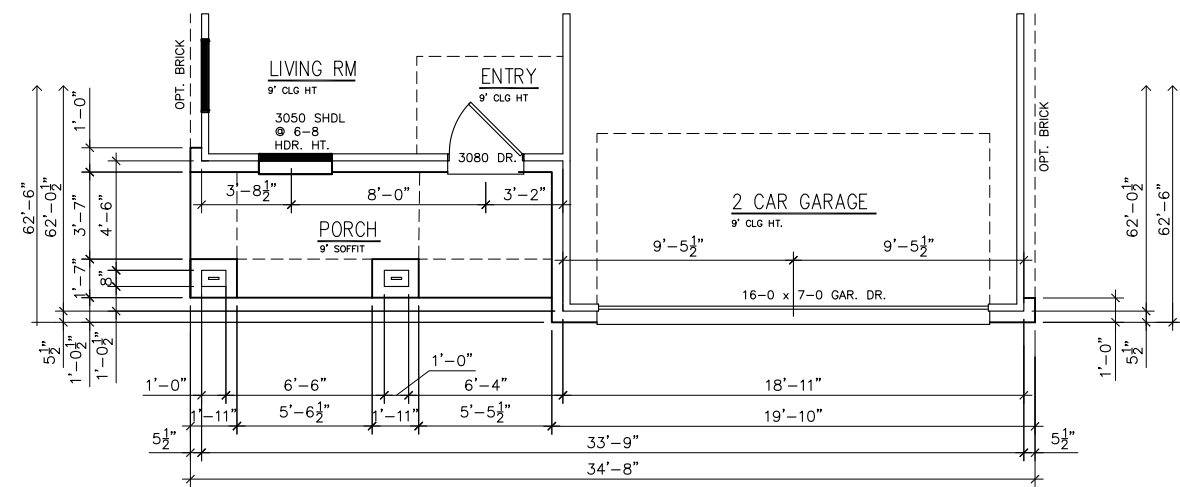
STONE OPTION



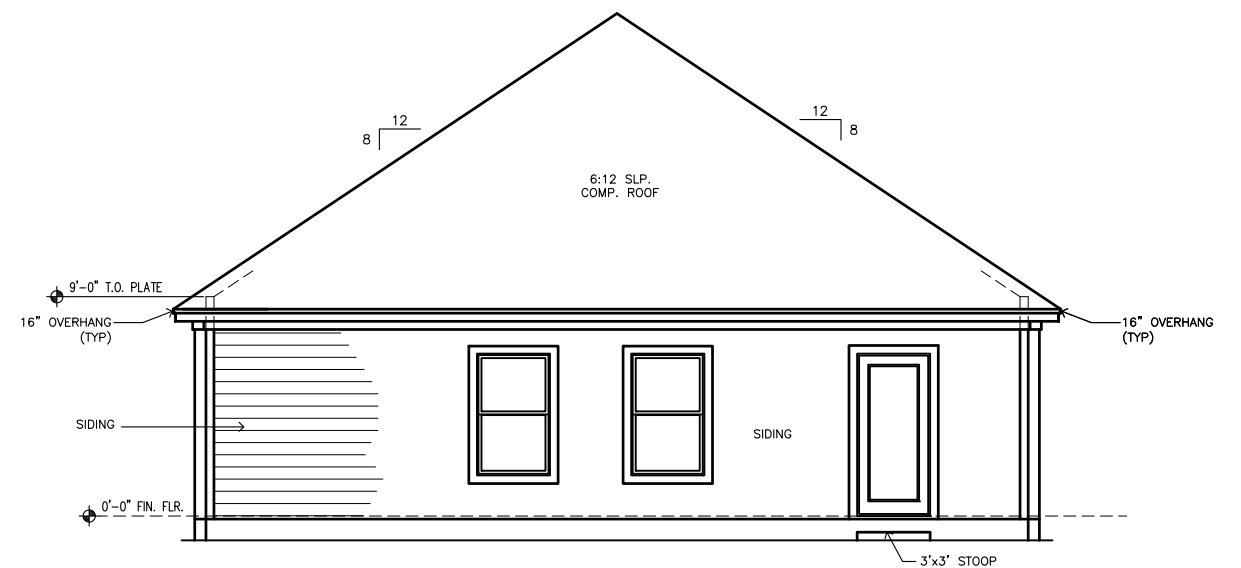
<b>CENSEO HOMES</b>		Scale 1/8"=1'-0"
ELEVATION B RIGHT & LEFT ELEVATIONS STONE OPTION		Date 01/12/19
Drawing No. 4510		Sheet 4 OF 6
		Rev. 1



ELEVATION C



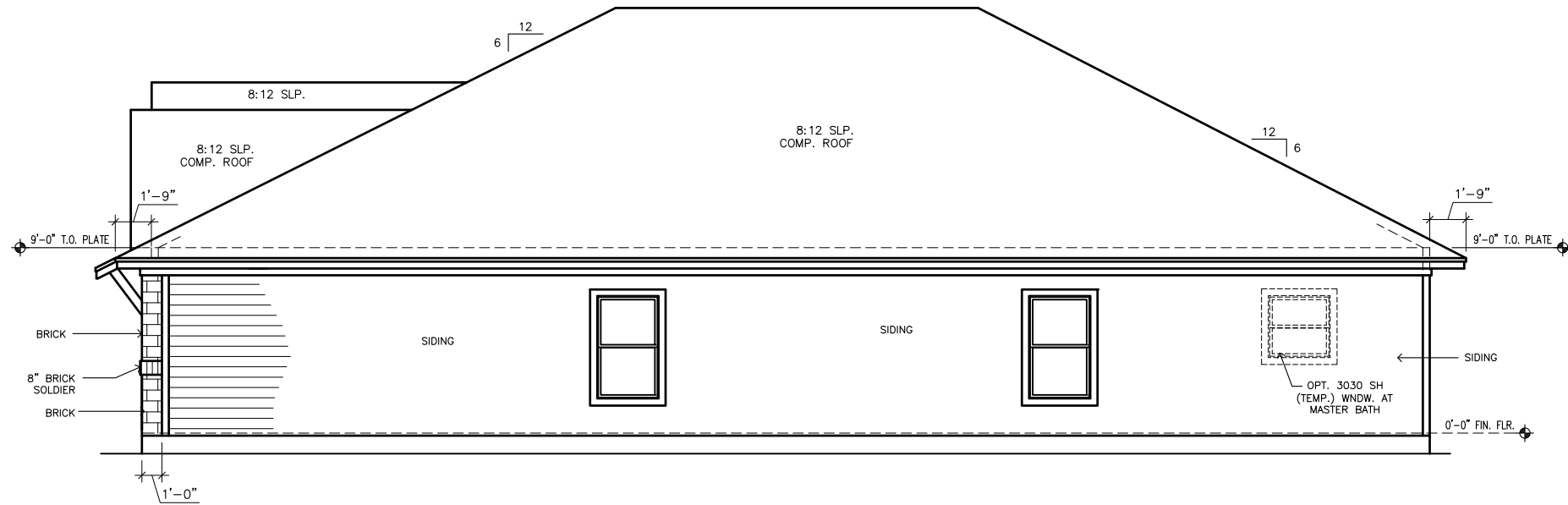
ELEVATION C  
 PARTIAL FLOOR PLAN



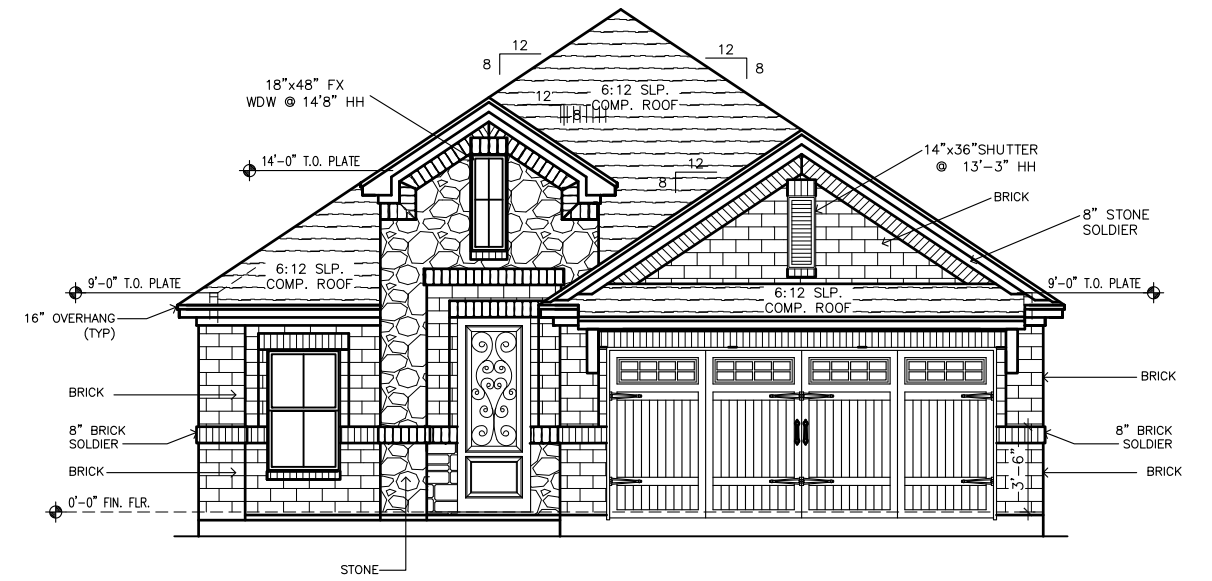
REAR ELEVATION C



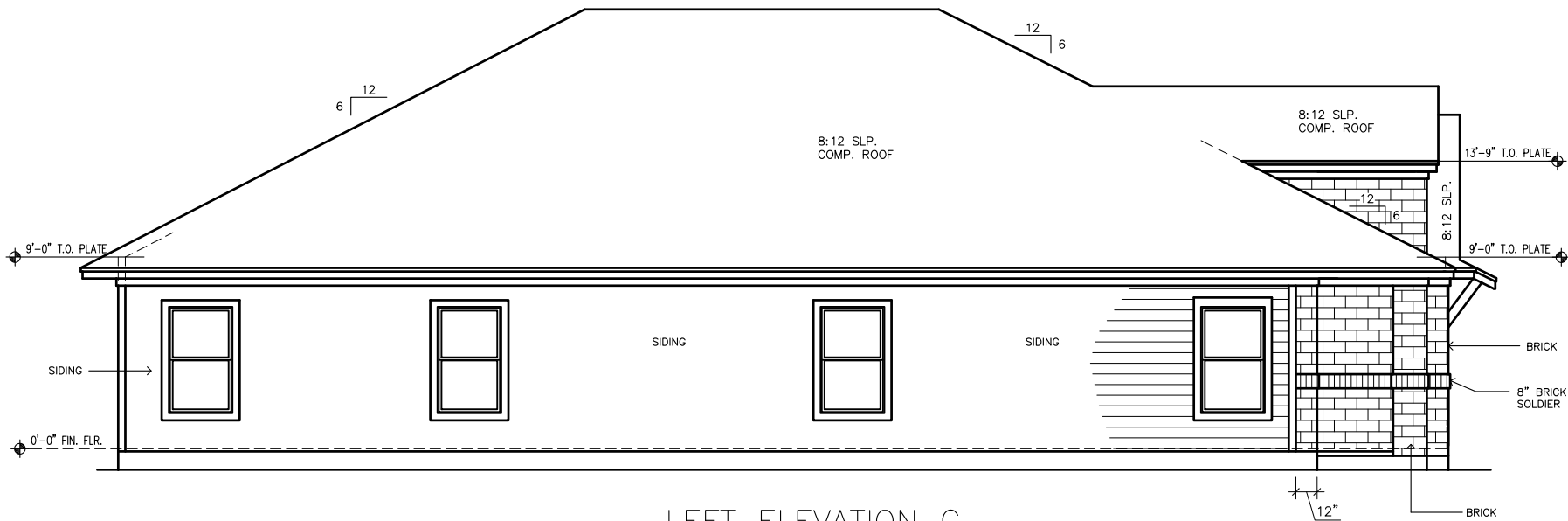
CENSEO HOMES		Scale 1/8"=1'-0"
ELEVATION C FRONT & REAR ELEVATIONS		Date 01/12/19
Drawing No. 4510		Sheet 5 OF 6
		Rev. 1



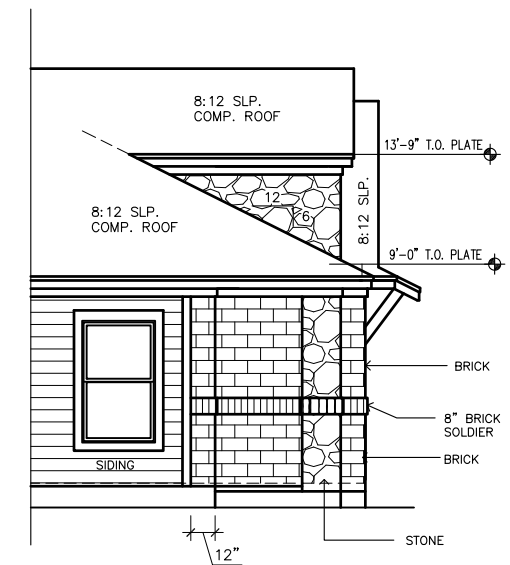
RIGHT ELEVATION C



ELEVATION C  
STONE OPTION



LEFT ELEVATION C



LEFT ELEVATION C  
STONE OPTION



<b>CENSEO HOMES</b>		Scale 1/8"=1'-0"
ELEVATION C RIGHT & LEFT ELEVATIONS STONE OPTION		Date 01/12/19
Drawing No. 4510		Sheet 6 OF 6
		Rev. 1