



REINHARDT HOMES

152 DEDICATION TRAIL

ADDRESS 5457 West Davis St.
Conroe, TX 77304

NAME Micheal Culpepper
EMAIL meculpepper@trissupply.net
PHONE 936-539-3341
FAX 936-539-3344

VENDOR PART	VENDOR	DESCRIPTION	PAGE
Misc			
FPET3077RF	Frigidaire	Frigidaire Professional 30 Double Electric Wall Oven	6
FPGC3677RS	Frigidaire	Frigidaire Professional 36 Gas Cooktop With Griddle	10
FPID2498SF	Frigidaire	Frigidaire Professional 24 Built-in Dishwasher With Evendry System	14
FPMO3077TF	Frigidaire	Frigidaire Professional 30" Built-in Convection Microwave Oven With Drop-down Door	18
FPSC2278UF	Frigidaire	Frigidaire Professional 22.0 Cu. Ft. Counter-depth Side-by-side Refrigerator - Stainless Steel	22
EAS428SS	Elica	28 Inch Undercabinet Insert Hood	26

VENDOR PART	VENDOR	DESCRIPTION	PAGE
FPET3077RF	Frigidaire	Frigidaire Professional 30 Double Electric Wall Oven	6
FPGC3677RS	Frigidaire	Frigidaire Professional 36 Gas Cooktop With Griddle	10
FPID2498SF	Frigidaire	Frigidaire Professional 24 Built-in Dishwasher With Evendry System	14
FPM03077TF	Frigidaire	Frigidaire Professional 30" Built-in Convection Microwave Oven With Drop-down Door	18
FPSC2278UF	Frigidaire	Frigidaire Professional 22.0 Cu. Ft. Counter-depth Side-by-side Refrigerator - Stainless Steel	22
EAS428SS	Elica	28 Inch Undercabinet Insert Hood	26



FPET3077RF

Frigidaire Professional 30 Double Electric Wall Oven



FPGC3677RS

Frigidaire Professional 36 Gas Cooktop With Griddle



FPID2498SF

Frigidaire Professional 24 Built-in Dishwasher With Evendry System



FPM03077TF

Frigidaire Professional 30" Built-in Convection Microwave Oven With Drop-down Door



FPSC2278UF

Frigidaire Professional 22.0 Cu. Ft. Counter-depth Side-by-side Refrigerator - Stainless Steel



EAS428SS

28 Inch Undercabinet Insert Hood





Double Wall Oven

FPET3077RF

30" Electric



Product Dimensions

Height	50-7/16"
Width	30"
Depth	24-3/4"

More Easy-To-Use Features

Dual Timers

Set a timer for both ovens when cooking dishes simultaneously.

2-Hour Self-Clean

A powerful, quick clean for your oven in just 2 hours with PowerPlus® Self-Clean cycle.

Convection Conversion

Automatically converts the convection oven to the ideal cooking time for evenly cooked dishes. Available in Both Ovens.

PowerGlide™ Racks

Access warm dishes from your oven with ease — racks glide in and out of the oven smoothly.

Sabbath Mode (Star-K® Certified)

Available in:



Stainless
(F)

¹Applies to baking foods on one rack with a cook time of 10 minutes or longer.

Signature Features



PowerPlus® Convection

Powerful performance delivers consistent results. Evenly cooked dishes, every time, with PowerPlus® Convection Bake and Roast. Available in both ovens.



PowerPlus® Temperature Probe

Ensures great results the first time. Set and monitor dish temperature with the PowerPlus® Temperature Probe. Available in both ovens.



PowerPlus® No Preheat

Oven is ready in no time. Start baking immediately with PowerPlus® No Preheat.¹ Available in both ovens.



Smudge-Proof™

Resists fingerprints and cleans easily.

frigidaire.com

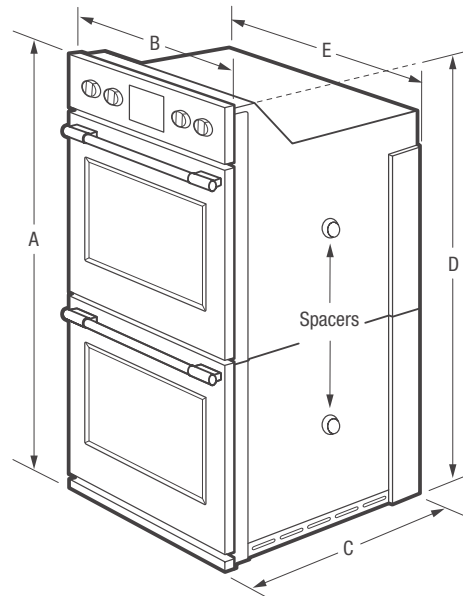
FRIGIDAIRE
PROFESSIONAL

Double Wall Oven

FPET3077RF 30" Electric

Features	
Oven Control/Timing System	PrecisionPro™ Controls
Windows	Extra-Large
Exterior Door Finish	Smudge-Proof™ Stainless Steel
Handle Design	Stainless Steel
Oven Cleaning System	Self-Clean
Oven Controls	
Bake/Broil	Yes/Variable (400 - 550 °F)
Convection Conversion	Yes
Convection Bake/Broil/Roast	Yes/No/Yes
Oven Preheat	PowerPlus® No Preheat
PowerPlus® Temperature Probe	Yes (2 Included)
Keep Warm	Yes
Self-Clean/Clean Options	Yes/2, 3, 4 Hours
Delay Clean	Yes
Kitchen Timer	Yes
Control Lock	Yes
Auto Oven Shut-Off	Yes
Oven Lock-Out	Yes
Upper Oven Features	
Capacity (Cu.Ft.)	5.1
Convection System	PowerPlus® Convection
Oven Light	2 Halogen
Hidden Bake Element	Yes
Rack Configuration	1 Glide, 1 Handle, 1 Offset
Baking System	Even Baking Technology
Broiling System	Variable
Bake/Broil Element (Watts)	2,200/4,000
Lower Oven Features	
Capacity (Cu.Ft.)	5.1
Convection System	PowerPlus® Convection
Oven Light	2 Halogen
Hidden Bake Element	Yes
Rack Configuration	1 Glide, 2 Handle
Baking System	Even Baking Technology
Broiling System	Variable
Bake/Broil Element (Watts)	2,200/4,000
Optional Accessories	
10'-Long Armored Power Cable	PN# 903056-9010
Certifications	
Sabbath Mode (Star-K® Certified)	Yes
Specifications	
Oven Interior (H x W x D)	18-5/8" x 24-1.8 x 19-1/2" (Upper) / (Lower)
Power Supply Connection Location	Left Bottom Rear
Voltage Rating	240V / 208V / 60Hz
Connected Load (kW Rating) @ 240 / 208 Volts ¹	9.5/7.1
Amps @ 240 / 208 Volts	39.6/34.1
Minimum Circuit Required (Amps)	40
Shipping Weight (Approx.)	280 Lbs.

¹Single phase 3- or 4-wire cable, 120 / 240 or 120 / 208 Volt, 60 Hertz AC only electrical supply with ground required on separate circuit fused on both sides of line.



NOTE: For planning purposes only. Always consult local and national electric codes. Refer to Product Installation Guide for detailed installation instructions on the web at frigidaire.com.



Product Dimensions		Cutout Dimensions	
A - Height	50-7/16"	Height (Min.)/(Max.)	48-1/2" / 49-3/4"
B - Width	30"	Width (Min.)/(Max.)	28-1/2" / 29"
C - Depth	24-3/4"	Depth (Min.)	24"
D - Height (Wrapper)	48-7/16"		
E - Width (Wrapper)	28-1/4"		
Depth with Door Open 90°	45-3/4"		

Accessories information available on the web at frigidaire.com

FRIGIDAIRE

USA • 10200 David Taylor Drive • Charlotte, NC 28262 • 1-800-FRIGIDAIRE • frigidaire.com
CANADA • 5855 Terry Fox Way • Mississauga, ON L5V 3E4 • 1-800-265-8352 • frigidaire.ca

FPET3077R 12/16

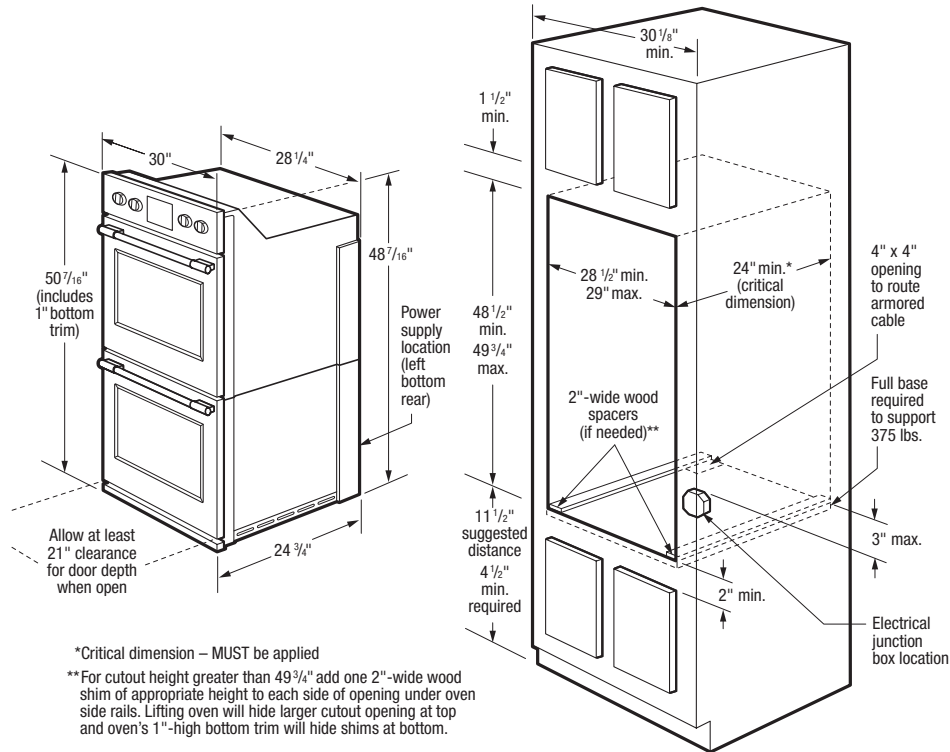
© 2016 Electrolux Home Products, Inc.

Specifications subject to change.



Double Wall Oven

FPET3077RF 30" Electric



Double Wall Oven Specifications

- Product Shipping Weight (approx.) – 280 Lbs.
- Single phase 3- or 4-wire cable, 120/240 or 120/208 Volt, 60 Hertz AC only electrical supply with ground required on separate circuit fused on both sides of line.
- Connected Load (kW Rating) @ 240/208 Volts = 9.5/7.1kW
- Amps @ 240/208 Volts = 39.6/34.1 Amps
- Recommended Circuit Breaker – 40 Amps
- Always consult local and national electric codes.
- Minimum 21" clearance for oven door depth when open.
- Suggested distance from floor is 11-1/2". Minimum required distance is 4-1/2".
- Minimum 24" deep cutout dimension is critical for proper installation, to ensure that oven's faceplate will fit flush against cabinet front.

- To adapt oven to fit cutout height greater than 49-3/4", add one 2"-wide wood shim of appropriate height to each side of opening under oven side rails. Lifting oven will hide larger cutout opening at top and oven's 1"-high bottom trim will hide shims at bottom. (Standard 1"-High Bottom Trim included.)
- Full oven base of solid plywood or similar material required, capable of supporting 375 Lbs.
- Base must be level and cabinet front must be square.
- Double Wall Oven is NOT approved to be used in stackable or side-by-side installation.

Note: For planning purposes only. Refer to Product Installation Guide on the web at frigidaire.com for detailed instructions.

Optional Accessories

- 10'-Long Armored Power Cable – (PN# 903056-9010).

FRIGIDAIRE

USA • 10200 David Taylor Drive • Charlotte, NC 28262 • 1-800-FRIGIDAIRE • frigidaire.com
 CANADA • 5855 Terry Fox Way • Mississauga, ON L5V 3E4 • 1-800-265-8352 • frigidaire.ca

FPET3077R 12/16

© 2016 Electrolux Home Products, Inc.

Accessories information available on the web at frigidaire.com



Specifications subject to change.



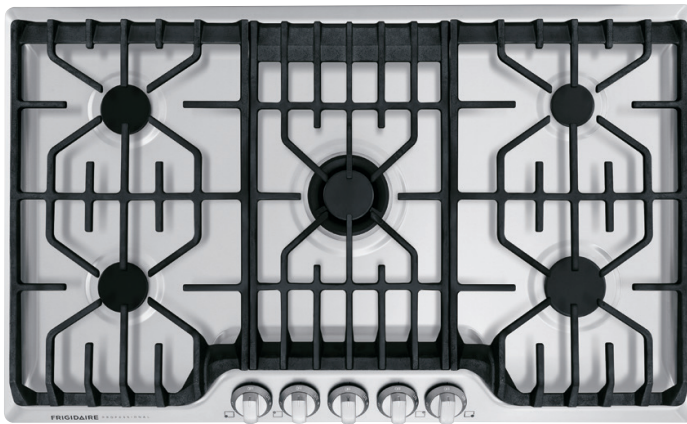
FRIGIDAIRE

PROFESSIONAL®

Built-In Cooktop

FPGC3677RS

36" Gas



Product Dimensions

Width	36"
Depth	21-3/4"
Height	4-1/4"

Available in:



Stainless
(S)

Burners	BTU
Right Front	14,000
Right Rear	750 - 5,000
Left Front	9,500
Left Rear	9,500
Center	18,200

Signature Features



PowerPlus® Burner

Boil, sear, and sauté with power. The PowerPlus® Burner delivers strong performance, every time with 18,200 BTU.



Durable, Continuous Grates

Cook a variety of dishes at the same time with ease. Our durable, continuous cast-iron grates allow you to slide a variety of heavy pots and pans across burners. Plus, they're dishwasher-safe so you can clean with ease.



PrecisionPro Controls™

Prepare a range of dishes with precision, whether you're simmering, sautéing, searing or boiling.



Stainless Steel Cooktop

The entire cooktop surface is stainless steel to blend with the other appliances in your kitchen.

frigidaire.com

FRIGIDAIRE
PROFESSIONAL

Built-In Cooktop

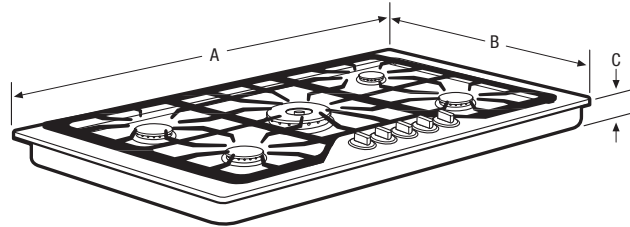
FPGC3677RS 36" Gas

Features	
Controls	PrecisionPro™
Surface Type	Stainless Steel Recessed
Sealed Gas Burners	Yes
Grates	Continuous Cast Iron w/Black Matte Finish
Right Front Burner (BTU)	14,000
Right Rear Burner (BTU)	750 to 5,000
Left Front Burner (BTU)	9,500
Left Rear Burner (BTU)	9,500
Center Burner (BTU)	18,200
Control Location	Center Front
Knob Color	Stainless
Knob Type	Cast Metal
Optional Accessories	
Griddle	Included
Certifications	
A.D.A. Compliant ¹	Yes
Specifications	
Power Supply Connection Location	Right Rear
Gas Supply Connection Location	Right Rear
LP Gas Conversion Kit	Included
Voltage Rating	120V / 60 Hz / 15A
Amps @ 120 Volts ²	1.0
Minimum Circuit Required (Amps)	15
Approved for Electric Single Wall Oven Combination Installation ³	Yes
Shipping Weight (Approx.)	60 Lbs.

¹When properly installed, this model is A.D.A.-qualified based on the United States Access Board's A.D.A./A.B.A. Accessibility Guidelines and the Department of Justice's 2010 A.D.A. Standards for Accessible Design.

²For use on adequately wired 120V, dedicated circuit having 2-wire service with a separate ground wire. Appliance must be grounded for safe operation.

³Cooktops are approved for installation above any of our Electric Single Wall Ovens.



NOTE: For planning purposes only. Always consult local and national electric and gas codes. Refer to Product Installation Guide for detailed installation instructions on the web at frigidaire.com.



Product Dimensions	
A - Width	36"
B - Depth	21-3/4"
C - Height	4-1/4"

Cutout Dimensions	
Width (Min.) / (Max.)	33-7/8" / 34-1/4"
Depth (Min.) / (Max.)	19-3/8" / 19-3/4"
Height	8"

Granite Countertop
Installation Kit available.

Accessories information available
on the web at frigidaire.com

FRIGIDAIRE

USA • 10200 David Taylor Drive • Charlotte, NC 28262 • 1-800-FRIGIDAIRE • frigidaire.com
CANADA • 5855 Terry Fox Way • Mississauga, ON L5V 3E4 • 1-800-265-8352 • frigidaire.ca

FPGC3677R 06/15

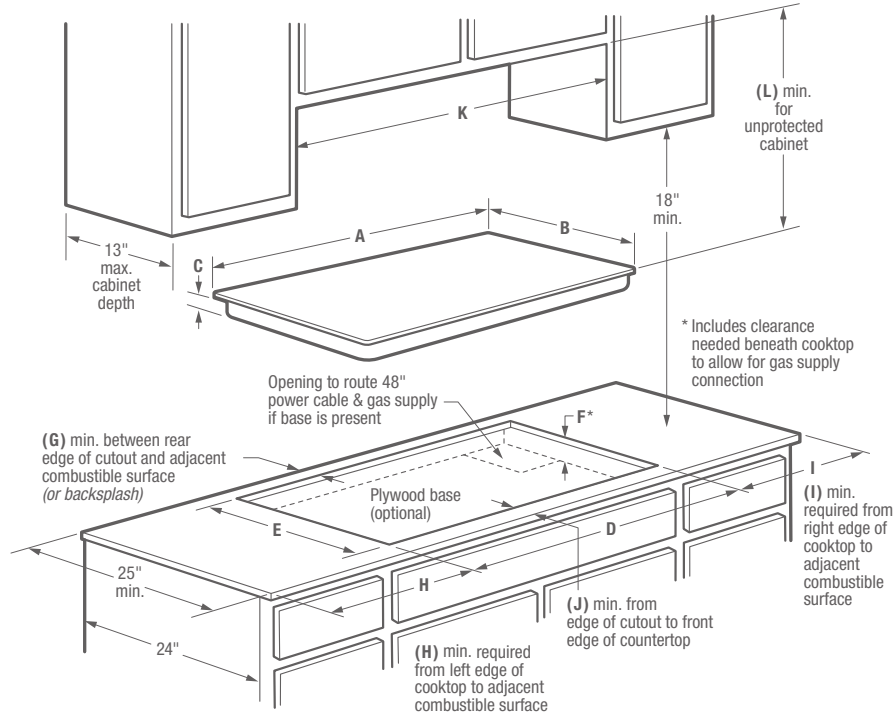
© 2015 Electrolux Home Products, Inc.

Specifications
subject to change.

FRIGIDAIRE
PROFESSIONAL

Built-In Cooktop

FPGC3677RS 36" Gas



Product Dimensions			Required Clearances			
A - Width	B - Depth	C - Height	G (min.)	H (min.)	I (min.)	J (min.)
36"	21-3/4"	4-1/4"	2"	12"	12"	2-1/4"
Product Cutout Dimensions			K - Cabinet Opening Width (min.)	L - For Unprotected Cabinet (min.)	Utility Connection Locations	
D - Width (min. - max.)	E - Depth (min. - max.)	F - Height (min.)*			Power Supply	Gas Supply
33-7/8" - 34-1/4"	19-3/8" - 19-3/4"	8"	36"	34"	Right Rear	Right Rear

Built-In Cooktop Specifications

- Product Shipping Weight (approx.) - 60 Lbs.
- Voltage Rating - 120V/60 Hz/15 Amps
- For use on adequately wired 120V, dedicated circuit having 2-wire service with a separate ground wire. Appliance must be grounded for safe operation.
- Amps @ 120 Volts = 1.0
- Always consult local and national electric and gas codes.
- Cooktop cutout height includes clearance needed beneath cooktop to allow for gas supply connection. Recommended location for grounded 120V outlet is on rear wall in an 8"-wide by 10"-high area, positioned 22" above floor surface and 4" from right side of cooktop centerline. Access to underside of cooktop and junction box must be provided for inspection and service.
- Cooktop ships with 3/4" factory regulator.
- LP Gas conversion kit supplied.
- Overhead cabinetry should not exceed a 13" maximum depth.
- Absolute minimum horizontal distance between overhead cabinets installed to either side of appliance must be no less than 36".
- Allow 34" minimum clearance between top of cooktop platform and bottom of unprotected wood or metal overhead cabinet.

- Allow 2" minimum distance between rear edge of cutout and adjacent combustible surface (or backsplash).
- Allow 12" minimum required clearance from left edge of cooktop to adjacent combustible surface and 12" minimum from right edge of cooktop to adjacent combustible surface.
- Installation of drawer beneath cooktop requires 6-1/2" minimum clearance beneath countertop surface, and assured clearance for gas and electrical connections.
- To reduce risk of fire when using overhead cabinetry, install range hood that projects horizontally a recommended minimum of 5" beyond bottom of cabinets.
- Gas Built-In Cooktop model FPGC3677R is approved to be used over any Frigidaire® Electric Single Wall Oven. (Refer to Gas Cooktop Installation Over 30"/27" Electric Single Wall Oven Specifications page on web.)

Note: For planning purposes only. Refer to Product Installation Guide on the web at frigidaire.com for detailed instructions.

Optional Accessories

- Granite Countertop Installation Kit - (PN # 903103-9010).
- Griddle - Included.

FRIGIDAIRE

USA • 10200 David Taylor Drive • Charlotte, NC 28262 • 1-800-FRIGIDAIRE • frigidaire.com
CANADA • 5855 Terry Fox Way • Mississauga, ON L5V 3E4 • 1-800-265-8352 • frigidaire.ca

FPGC3677R 06/15

© 2015 Electrolux Home Products, Inc.

Accessories information available on the web at frigidaire.com



Specifications subject to change.



FRIGIDAIRE
PROFESSIONAL®

Dishwasher
FPID2498SF

24" Built-In



Product Dimensions

Height (Adjustable)	33-3/4" - 35-3/4"
Width	24"
Depth (Including Door)	24-1/4"

More Easy-To-Use Features

Powerful Clean, Fast

Get a powerful clean, fast with the best 30-minute clean³.

Smudge-Proof™

Resists fingerprints and cleans easily.

Know When Dishes Are Ready

Lets you know when dishes are complete when the blue LED light appears with PowerBright™ Floor Light.

Automatically Adjusts Cycles

DishSense™ Technology automatically adjusts the cycle time based on the level of clean that your dishes need for an efficient clean.

Efficient Water Usage

Cleans a full load of dishes using 15% less water⁴.

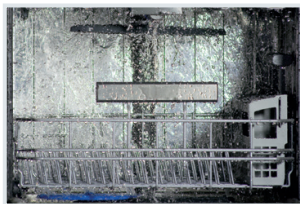
Consistent Cleaning Performance

For a consistent, reliable clean, our dishwasher has a removable stainless steel filter that prevents re-depositing of food particles.

Holds Up to 14 Place Settings

Clean up to 14 place settings in one cycle.

Signature Features



A Complete Clean

Clean dishes in one cycle with OrbitClean® Wash System, which uses four times more water coverage¹ for a complete clean.



Remarkable Dry

Dishes come out remarkably dry every time with EvenDry™².



A Place for Everything

Experience the ultimate flexibility of the SpacePro® Organization System. The third rack offers easy access and fits small cooking utensils, while the second rack adjusts to fit tall pots and pans.



Cleans Hard-to-Reach Spots

Clean hard-to-reach spots with our PrecisionPro Wash Zones™ that target tough spots for the ultimate clean.

ENERGY STAR®
NSF® International
Certification



Available in:



¹Than a traditional spray arm.

²When used with rinse aid.

³Tested against competing models with comparable quick cycle times according to ANSI/AHAM DW-1-2010 with only 6 place settings.

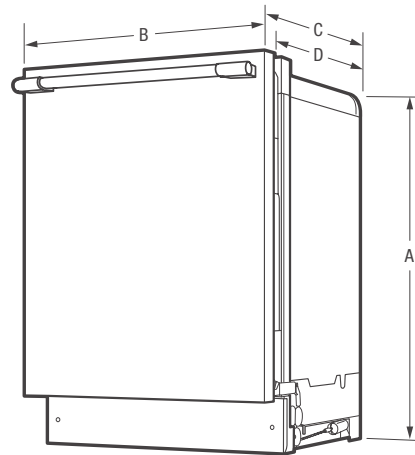
⁴Over a year when using our normal cycle in a stainless tub compared to our plastic tub.

frigidaire.com

FRIGIDAIRE
PROFESSIONAL

Dishwasher
FPID2498SF 24" Built-In

Features	
Control Design	Fully-Integrated Pro-Select [®]
Digital Display	Yes
Door Latch/Stay-Put Door Hinge Design	Yes/Yes
Low Rinse-Aid Indicator Light	Yes
Interior Design/Interior Color	Tall Tub/Stainless Steel
Wash System	Direct Feed
Wash Arm	OrbitClean [®]
Wash Levels/Wash Speeds	5/Variable
DishSense [™] Technology	Yes
AquaSurge [™] Technology	Yes
Sound Package	SilentDesign [™]
Filter/Filter Trap	S. Steel/Removable
Soft Food Disposer	
dB Level	47
Drying System	EvenDry [™]
Cycles	
Number of Cycles	7
PowerPlus [™] (Heavy)	Yes
Normal	Yes
Light	
Quick Wash (30-Min.)	Yes
Favorite	Yes
China Crystal	Yes
Rinse Only	Yes
Energy Saver Plus	Yes
Upper Rack Wash Only	
Cycle Indicator Light/Control Lock	Yes/Yes
Cycle Complete Floor Beam Indicator	PowerBright [™] LED
Options	
Heat/No Heat Dry	Yes
Hi-Temp Wash	Yes
NSF [®] Certified Sanitize Rinse	Yes
Delay Start	1-24 Hour
Rack System	
Rack Design	Deluxe
Rack Coating	Nylon TufRacks [™]
SpaceWise [®] Upper Rack –	
Rack Handles	Yes
Delicate-Care [™] Soft Grips	Optional PN# 5304494157
Fold-Down Tines	Yes
Cup Shelves/Stemware Grips	2/6
Versa-Tray [™]	
Adjustable Rack Height	Yes
Lower Rack –	
SpaceWise [®] Silverware Basket	3-Piece Split
Fold-Down Tines	2 Full Rows
Small Items Cover	3
Third-Level Rack (Single Tray)	Yes
Certifications	
ENERGY STAR [®]	Yes
NSF [®] International Certification	Yes
Specifications	
Water Inlet Location	Bottom Left
Water Usage (Gallons)	4.0 – 8.0
Water Pressure (PSI)	20 – 90
Integral Air Gap on Supply	Yes
Leveling Legs	Yes
Power Supply Connection Location	Right Bottom Front
Voltage Rating	120V/60Hz/15A
Connected Load (kW Rating) @ 120 Volts ¹	1.44
Amps @ 120 Volts	15
Shipping Weight (Approx.)	75 Lbs.



NOTE: For planning purposes only. Always consult local and national electric and plumbing codes. Refer to Product Installation Guide for detailed installation instructions on the web at frigidaire.com.



Product Dimensions	
A - Height (Adjustable)	33-3/4" – 35-3/4"
B - Width	24"
C - Depth (Including Door)	24-1/4"
D - Depth (To Tub Flange)	22-1/2"
Depth with Door Open 90°	50-1/4"

Cutout Dimensions	
Height (Min.)	34"
Height (Max.)	35-3/4"
Width (Min.)	24"
Depth (Min.)	24"

¹For use on adequately wired 120V, dedicated circuit having 2-wire service with a separate ground wire. Appliance must be grounded for safe operation.

Accessories information available on the web at frigidaire.com

FRIGIDAIRE

USA • 10200 David Taylor Drive • Charlotte, NC 28262 • 1-800-FRIGIDAIRE • frigidaire.com
CANADA • 5855 Terry Fox Way • Mississauga, ON L5V 3E4 • 1-800-265-8352 • frigidaire.ca

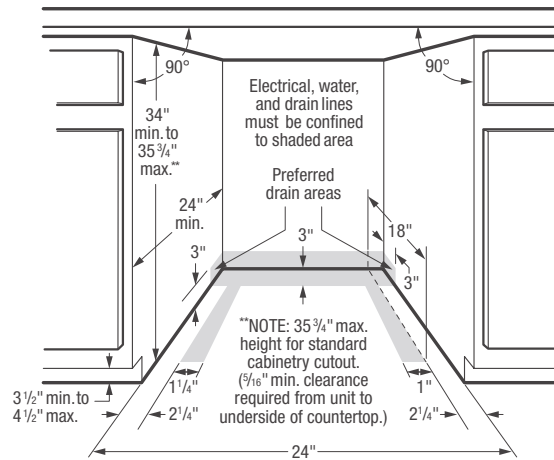
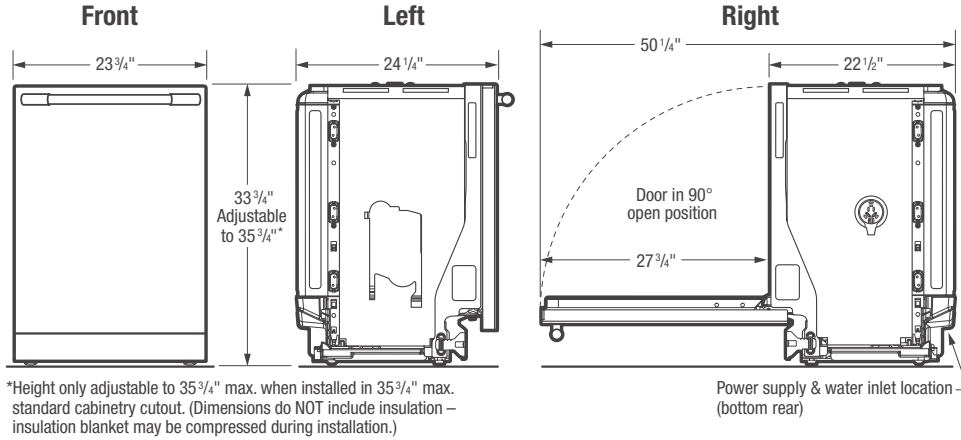
FPID2498S 03/17

© 2017 Electrolux Home Products, Inc.

Specifications subject to change.

FRIGIDAIRE
PROFESSIONAL

Dishwasher
FPID2498SF 24" Built-In



Dishwasher Specifications

- Product Shipping Weight (approx.) - 75 Lbs.
 - Voltage Rating - 120V / 60 Hz / 15 Amps (maximum 20 Amps if connected with disposer)
 - Connected Load (kW Rating) @ 120 Volts = 1.44 kW (For use on adequately wired 120V, dedicated circuit having 2-wire service with a separate ground wire. Appliance must be grounded for safe operation.)
 - Amps @ 120V = 15 Amps
 - Always consult local and national electric & plumbing codes. Meets requirements of ASSE 1006 – integral air gap on supply.
 - Water Pressure - Hot water line to dishwasher must provide between 20 and 90 pounds per square inch (psi) with at least 120°F hot water temperature.
 - Make sure location has correct drain, water and electrical outlets to make connections – MUST be confined to shaded areas.
 - Electrical and water supplies should enter cabinet opening on floor, or through back or side walls, as shown in shaded areas.
 - If connecting drain hose to sink trap, local code may require installation of Air Gap Kit (not included).
 - Leveling legs supplied to adjust height. (Note: Height only adjustable to 35-3/4" max. when installed in 35-3/4" max. standard cabinetry cutout. 5/16" min. clearance required from top of unit to underside of countertop. Dimensions do NOT include insulation – insulation blanket may be compressed during installation.)
 - When installing adjacent to wall, cabinet or other obstruction that extends beyond front edge of unit, allow 2" minimum clearance between opened door and obstruction.
 - Floor should be flat and free of obstructions with carpet removed to provide motor clearance.
 - When installing at end of cabinet line, sides and back must be fully enclosed.
 - Do not install unit under a cooktop, damage will occur.
 - Recommended to seal cabinets, enclosing all sides of dishwasher, including underside of countertop, with oil-based paint or moisture-proof polyurethane to prevent possible steam/moisture damage.
- Note: For planning purposes only. Refer to Product Installation Guide on the web at frigidaire.com for detailed instructions.**

FRIGIDAIRE

USA • 10200 David Taylor Drive • Charlotte, NC 28262 • 1-800-FRIGIDAIRE • frigidaire.com
CANADA • 5855 Terry Fox Way • Mississauga, ON L5V 3E4 • 1-800-265-8352 • frigidaire.ca

FPID2498S 03/17

© 2017 Electrolux Home Products, Inc.



Specifications subject to change.



FRIGIDAIRE

PROFESSIONAL®

FPM03077TF

Smudge-Proof
Stainless Steel

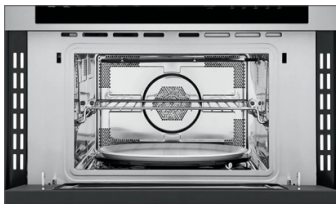


AVAILABLE COLORS



Stainless

SIGNATURE FEATURES



PowerPlus™ 2-in-1 Convection Oven or Microwave

Get the great-tasting results of a conventional convection oven combined with the speed of microwave technology with the PowerPlus™ 2-in-1 Convection Microwave Oven.



PowerSense™ Cooking Technology

Results you can trust. PowerSense™ Cooking Technology automatically senses ideal time and power levels.



Smudge-Proof™ Stainless Steel

Resists fingerprints and cleans easily.



PowerSense™ Auto Defrost

Take the guesswork out of defrosting meat, poultry, or fish with PowerSense™ Auto Defrost.

MICROWAVE

30" BUILT-IN WITH CONVECTION

PRODUCT DIMENSIONS

Height	19"
Width	29-13/16"
Depth	23"

MORE EASY-TO-USE FEATURES

PowerSense™ Broil & Grill

Grill fresh or frozen pizza at the touch of a button.

PowerBright® LED Lighting

See the power. See the results in action. LED interior microwave light stays on while your dish cooks.

Keep Warm

Consistently keep your dishes warm, for up to 90 minutes, until everything and everyone is ready.

Drop-Down Door

Faster, easier access to what you are cooking with Drop-Down Door configuration.

Adjustable Timer

Now you can adjust the cooking time of your dish while it's cooking. The adjustable timer allows you to add 30 seconds on the timer.

FPM03077TF MICROWAVE

30" BUILT-IN WITH CONVECTION

FRIGIDAIRE
PROFESSIONAL

FEATURES

Control/Timing System	Pro-Select®
Exterior Door Finish	Smudge-Proof™ Stainless Steel
Handle Design	Stainless Steel
Microwave Capacity (Cu. Ft.)	1.6
PowerPlus™ Convection	Yes
Watts (IEC-705 Test Procedure)	1,000
Interior LED Light	Yes
Interior Color	Stainless Steel
Turntable Diameter	14-3/16"
Turntable On/Off	
Control Lock	Yes
Clock	Yes
Touch Pad Buttons	28
Power Levels	High (1-9)
Accessory Metal Rack	Yes

MICROWAVE CONTROL OPTIONS

Popcorn Button	Yes
Sensor Cook Button	Yes
Sensor Reheat Button	Yes
Broil/Grill	Yes
Preheat/Warm	Yes
Snack Button	
Beverage	
Melt & Soften Options	4
Auto Reheat Options	
Snack Menu Options	
Auto Cook Options	
Auto Defrost Options	3
Multi-Stage Cooking Option	Yes
Keep Warm	Yes
Add 30 Seconds	Yes
Sensor Cooking Options	5
Sensor Reheat Options	5
Vegetable Cook Sensor	Yes
Delay Start	
User Preferences	Yes
Adjustable Timer	Yes

POWER RATINGS

Frequency (MHz)	2,450
Watts @ 120 Volts	1,750
Amps @ 120 Volts	15.5

SPECIFICATIONS

Oven Interior (HxWxD)	9-27/32" x 16-1/2" x 16-1/2"
Power Supply Connection Location	Right Top Rear
Voltage Rating	120V / 60Hz / 20A
Connected Load (kW Rating) @ 120 Volts ¹	1.75
Minimum Circuit Required (Amps)	20
Plug Type (NEMA)	LCDI (5-20P)
Shipping Weight (Approx.)	100 Lbs.

¹For use on adequately wired 120V, dedicated circuit having 2-wire service with a separate ground wire. Appliance must be grounded for safe operation.



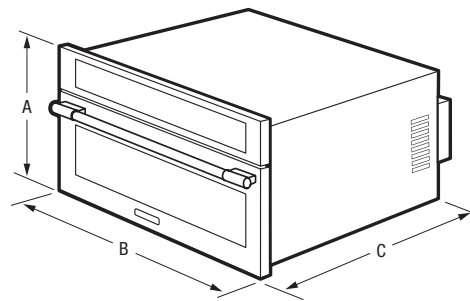
Plug Type (NEMA)
5-20P

PRODUCT DIMENSIONS

A - Height	19"
B - Width	29-13/16"
C - Depth	23"

CUTOUT DIMENSIONS

Height (Min. - Max.)	17-3/4"-18"
Width (Min. - Max.)	28"-28-3/8"
Depth (Min.)	22"



Note: For planning purposes only. Always consult local and national electric, gas and plumbing codes. Refer to Product Installation Guide for detailed installation instructions on the web at frigidaire.com.

Specifications subject to change. Accessories information available on the web at frigidaire.com

FRIGIDAIRE

USA • 10200 David Taylor Drive • Charlotte, NC 28262 • 1-800-FRIGIDAIRE • frigidaire.com
CANADA • 5855 Terry Fox Way • Mississauga, ON L5V 3E4 • 1-800-265-8352 • frigidaire.ca

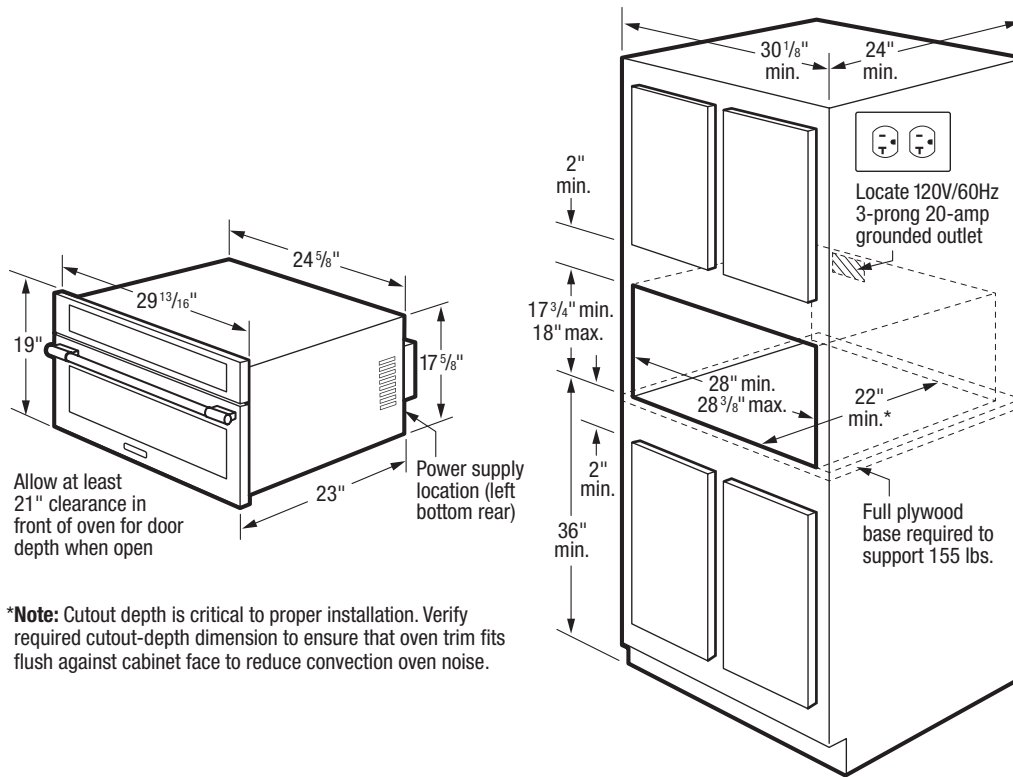
FPM03077T 10/17

© 2017 Electrolux Home Products, Inc.

FPMO3077TF
MICROWAVE

30" BUILT-IN WITH CONVECTION

FRIGIDAIRE
PROFESSIONAL



***Note:** Cutout depth is critical to proper installation. Verify required cutout-depth dimension to ensure that oven trim fits flush against cabinet face to reduce convection oven noise.

INSTALLATION SPECIFICATIONS

- Product Shipping Weight (Approx.) - 100 Lbs.
- Voltage Rating - 120V/60 Hz/20 Amps
- Connected Load (kW Rating) @ 120 Volts = 1.75 kW (For use on adequately wired 120V, dedicated circuit having 2-wire service with a separate ground wire. Appliance must be grounded for safe operation.)
- Amps @ 120 Volts = 20 Amps
- Always consult local and national electric codes.
- Microwave can stand alone on countertop or be built in with optional 30" or 27" Trim Kit (ordered by individual part number) which includes Bottom Duct Assembly - shipped in separate box.
- Allow 21" minimum clearance for 90° door swing.
- Minimum 22" deep oven cutout dimension is critical for proper installation for oven and faceplate to fit flush against cabinet front.

- Consult local building code, in the event that cutout opening may be required to be enclosed with sides, ceiling and rear partition.
- Full oven base of solid plywood or similar material required, capable of supporting 155 Lbs.
- Base must be level and front of cabinet square for proper operation.
- Can NOT be installed above any gas wall oven.
- Built-In Microwave is approved to be used in combination with any Frigidaire® Electric Single Wall Oven and/or Warmer Drawer. (Refer to model-specific Combination Installation Specification pages on web.)
- When used in combination with another Frigidaire® built-in product, a minimum clearance of 2" is required from the bottom of the microwave cutout to the top edge of the companion product's faceplate. Please refer to companion product's installation instructions for cutout dimensions.



FRIGIDAIRE
USA • 10200 David Taylor Drive • Charlotte, NC 28262 • 1-800-FRIGIDAIRE • frigidaire.com
CANADA • 5855 Terry Fox Way • Mississauga, ON L5V 3E4 • 1-800-265-8352 • frigidaire.ca

Note: For planning purposes only. Always consult local and national electric, gas and plumbing codes. Refer to Product Installation Guide for detailed installation instructions on the web at frigidaire.com.

Specifications subject to change. Accessories information available on the web at frigidaire.com

FPMO3077T 10/17
© 2017 Electrolux Home Products, Inc.



FRIGIDAIRE

PROFESSIONAL®

FPSC2278UF

SIDE-BY-SIDE COUNTER-DEPTH REFRIGERATOR

22.0 CU. FT.

Smudge-Proof
STAINLESS STEEL



AVAILABLE
COLORS



PRODUCT DIMENSIONS

Height (Cabinet Including Hinge)	69-7/8"
Width	36"
Depth (Including Door)	27-7/8"

MORE EASY-TO-USE FEATURES

Chill Drawer

Our chill drawer with adjustable temperature control quickly cools food and drinks at the "colder" setting and converts to a deli and meat drawer at the "cold" setting.

Fresh Drawers

Our fresh drawers feature adjustable humidity controls.

Multi-level LED Lighting

Sleek multi-level LED lighting brightens every level of your refrigerator so it's easy to find what you're looking for, and our signature ramp up lighting effect offers an elegant touch every time you open the door.

PureSource Ultra® II Ice Maker with Slim Design

Store up to four pizza boxes alongside the slim ice maker design that gives you more usable freezer capacity.

Exterior Water and Ice Dispenser

Easily access fresh drinking water and cold ice without opening your refrigerator or freezer.

PureSource Ultra® II Ice & Water Filtration

Remove 99.3% of lead and 99.9% of cysts from your household water with a genuine water filter.

PureAir Ultra® Air Filter

Fresh air offers great taste. Our PureAir Ultra® II air filters effortlessly keep the food in your refrigerator tasting fresh by removing odor particles with fast-acting, highly absorbent carbon technology.

Hanging Can Rack

Easily access your cold, canned beverages with the Frigidaire Professional can rack.

SIGNATURE FEATURES



SpaceWise® Organization System

Our SpaceWise® Organization System makes it easy to keep food organized and accessible, with adjustable door bins that provide flexibility and deeper adjustable shelves than traditional counter-depth side-by-side refrigerators, which offer storage capacity where you need it most.



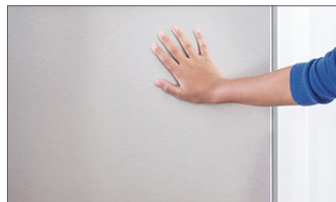
Professional-Grade Design

Durable hardware and professional-grade design features including smoky door bins, door bin liners, glass shelving with metallic trim, and a distinctive handle lend a high-quality look to your kitchen.



Get a built in look with counter-depth design

Our counter-depth refrigerator gives you the built in look without the remodel, and gives you over 4 inches of kitchen floor space back.



Smudge-Proof™ Stainless Steel

Resists fingerprints and cleans easily.

FPSC2278UF COUNTER-DEPTH SIDE-BY-SIDE REFRIGERATOR

22 CU. FT.

FRIGIDAIRE
PROFESSIONAL

FEATURES

Door Design	Flat
Door Handle Design	Stainless Steel
Cabinet Finish	Gray
Door Stops / Door Closers	Yes / Yes
Door Hinge Covers	Hidden
Rollers - Front / Rear	Adjustable / Yes
Energy Saver Plus Technology	Yes
Water Filter Location	Top-Right Rear

DISPENSER

Controls	LED Controls
Dispenser Design	Flush, Single Paddle
User Interface Buttons	4 Dispenser/11 Side Control
Crushed Ice / Cube Ice / Water	Yes / Yes / Yes
Ice Option / Freeze Option	PowerPlus® Ice / PowerPlus® Freeze
Display On / Off Option	Yes
Lock / Light	No / Yes
Temp / Door Ajar / Power Failure Alerts	Yes / Yes / Yes
Water Filter Change Indicator Light	Yes
Air Filter Change Indicator Light	Yes

REFRIGERATOR FEATURES

Lighting	Multi-Level LED
Water Filter Type	PureSource Ultra® II
Air Filter Type	PureAir Ultra®
Fixed Shelves	3
Sliding Shelves	
Chill Zone Drawer	1 Stacked
Wine / Can Rack	No / 1 Smoky
Fresh Drawers	2 Smoky
Humidity Controls	2
Dairy Compartment	1 Smoky
Fixed Door Bins	2 Smoky
Adjustable Door Bins	Yes
Non-Slip Bin Liner	3 Smoky
Condiment Bin	

FREEZER FEATURES

Door Bins	4 Smoky
Fixed Shelves	2 Glass
Full Extension Baskets	
Full Freezer Baskets	2 Wire Metallic
Half Freezer Baskets	
Ice Cream Shelf / Pizza Shelf	Yes
Lighting	Multi-level LED
PureSource Ultra® II Ice Maker with Slim Design	Yes

CERTIFICATIONS

Sabbath Mode (Star-K® Certified)	Yes
----------------------------------	-----

SPECIFICATIONS

Total Capacity (Cu. Ft.)	22.0
Refrigerator Capacity (Cu. Ft.)	14.1
Freezer Capacity (Cu. Ft.)	7.9
Power Supply Connection Location	Right Bottom Rear
Water Inlet Connection Location	Left Bottom Rear
Voltage Rating	120V / 60Hz / 15A
Connected Load (kW rating) @ 120 Volts ¹	1.02
Amps @ 120 Volts	8.5
Minimum Circuit Required (Amps)	15
Shipping Weight (Approx.)	325 Lbs.

¹When properly installed, this model is A.D.A.-qualified based on the United States Access Board's A.D.A./A.B.A. Accessibility Guidelines and the Department of Justice's 2010 A.D.A. Standards for Accessible Design.

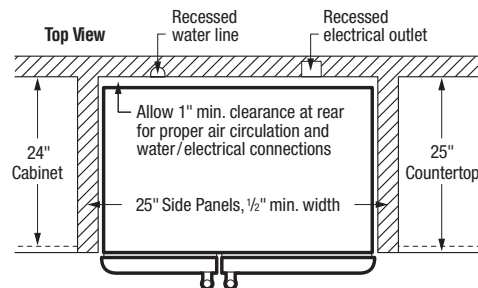
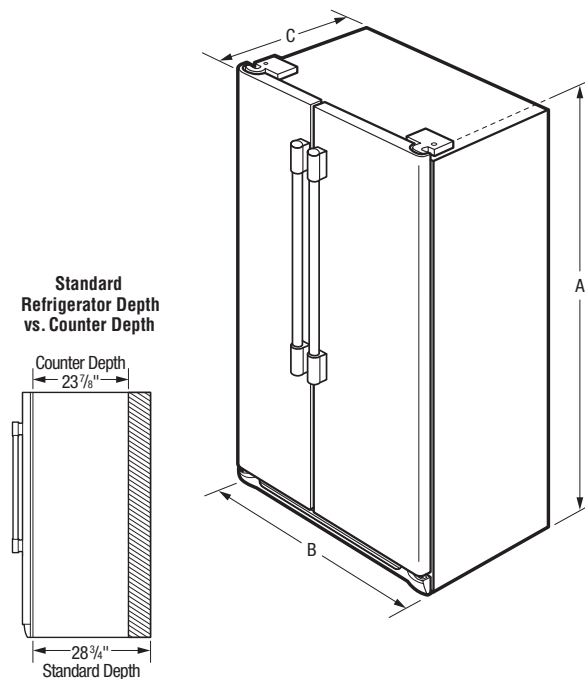
²For use on adequately wired 120V, dedicated circuit having 2-wire service with a separate ground wire. Appliance must be grounded for safe operation.

PRODUCT DIMENSIONS

A - Height (Incl. Hinges & Rollers)	69-7/8"
B - Cabinet Width / Door Width	35-7/8" / 36"
C - Depth (Incl. Door)	28-1/2"
Depth with Door Open 90°	42"
Depth with Drawer Fully Extended (Incl. Handle)	44-7/8"

"BUILT-IN LOOK" CUTOUT DIMENSIONS

Height (Incl. Hinges & Rollers)	70-1/4"
Width	36"
Depth	25"



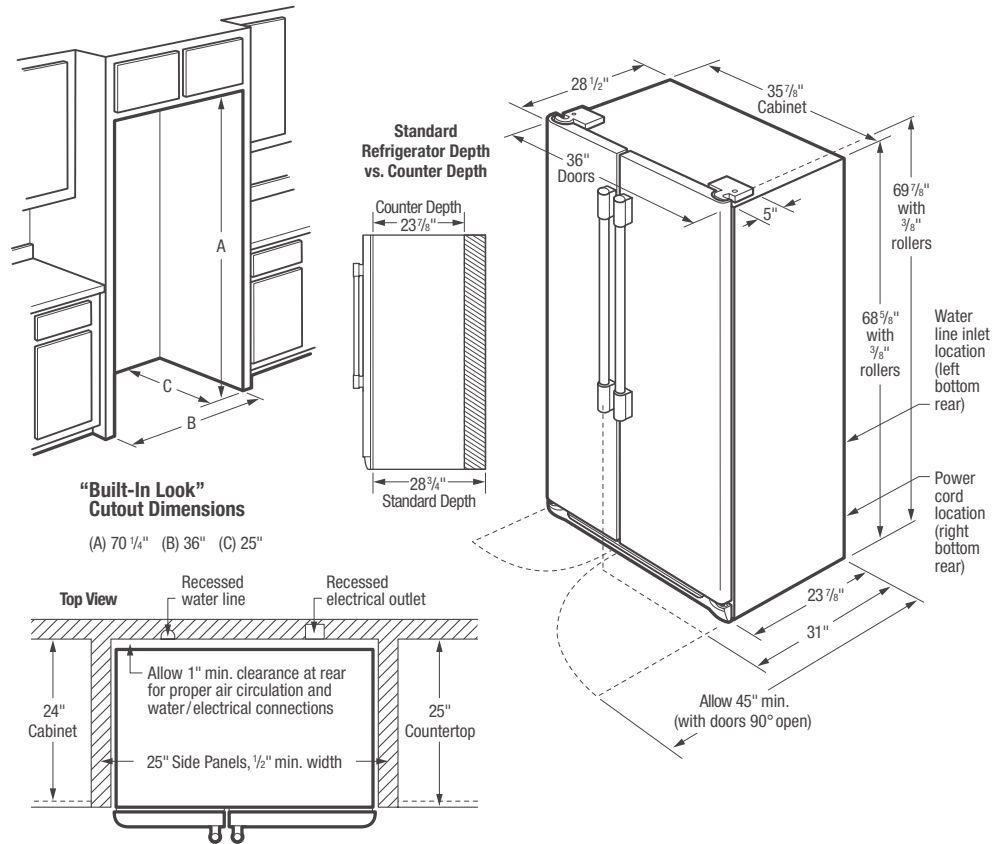
Note: For planning purposes only. Always consult local and national electric, gas and plumbing codes. Refer to Product Installation Guide for detailed installation instructions on the web at frigidaire.com / frigidaire.ca. Specifications subject to change. Accessories information available on the web at frigidaire.com / frigidaire.ca

FRIGIDAIRE
USA • 10200 David Taylor Drive • Charlotte, NC 28262 • 1-800-FRIGIDAIRE • frigidaire.com
CANADA • 5855 Terry Fox Way • Mississauga, ON L5V 3E4 • 1-800-265-8352 • frigidaire.ca

FPSC2278UF 9/18
© 2018 Electrolux Home Products, Inc.

FPSC2278UF
COUNTER-DEPTH SIDE-BY-SIDE REFRIGERATOR
22 CU. FT.

FRIGIDAIRE
PROFESSIONAL



INSTALLATION SPECIFICATIONS

- Product Shipping Weight (approx.) – 325 Lbs.
- Voltage Rating – 120V / 60 Hz / 15 Amps
- Connected Load (kW Rating) @ 120 Volts = 1.02 kW (For use on adequately wired 120V, dedicated circuit having 2-wire service with a separate ground wire. Appliance must be grounded for safe operation.)
- Amps @ 120 Volts = 8.5 Amps
- Always consult local and national electric & plumbing codes.
- Floor should be level surface of hard material, capable of supporting fully loaded refrigerator.
- When installing refrigerator adjacent to wall, cabinet or other appliance that extends beyond front edge of unit, 20" minimum clearance recommended to allow for optimum 120° to 180° door swing, providing complete drawer / crisper access and removal. (Absolute 4-1/2" minimum clearance will ONLY allow for 90° door swing which will provide drawer / crisper access with restricted removal.)
- To ensure optimum performance, avoid installing in direct sunlight or close

- proximity to range, dishwasher or other heat source.
- For proper ventilation, front grille MUST remain unobstructed.
- Recess electrical outlet when possible.
- Water recess on rear wall recommended to prevent water line damage.
- Water Pressure – Cold water line must provide between 30 and 100 pounds per square inch (psi).
- Copper tubing with 1/4" O.D. recommended for water supply line with length equal to distance from rear of unit to household water supply line plus 7 additional feet. Optional Water Supply Installation Kits available.
- Adjustable front rollers to assist with door alignment.

"BUILT-IN LOOK" SPECIFICATIONS

- Minimum opening of 70-1/4" H x 36" W x 25" D required to allow for ease of installation, proper air circulation, and plumbing / electrical connections.
- Remove all wall / floor molding prior to installation.



FRIGIDAIRE
USA • 10200 David Taylor Drive • Charlotte, NC 28262 • 1-800-FRIGIDAIRE • frigidaire.com
CANADA • 5855 Terry Fox Way • Mississauga, ON L5V 3E4 • 1-800-265-8352 • frigidaire.ca

Note: For planning purposes only. Always consult local and national electric, gas and plumbing codes. Refer to Product Installation Guide for detailed installation instructions on the web at frigidaire.com / frigidaire.ca. Specifications subject to change. Accessories information available on the web at frigidaire.com / frigidaire.ca

FPSC2278UF 9/18
© 2018 Electrolux Home Products, Inc.





ASTI
INSERT

COMFORT SERIES



Asti is designed for discreet mounting inside cabinetry. At 28^{1/4"} wide and only 10^{3/4"} deep, Asti fits perfectly into 12" deep cabinetry and is ideal for kitchens where space is limited, or where the range hood needs to be out of sight. Asti comes equipped with a powerful 400 CFM blower that can handle most cooking needs.

Convenient stainless steel push button controls operate the 3 speed blower and incandescent lighting, while dishwasher safe anodized aluminum mesh filters offer easy maintenance. Asti is designed for standard ducted or recirculating installation.

MODELS
EAS428SS Asti 28" Stainless

DIMENSIONS
(28 1/4" W x 10 3/4" D x 9 1/2" H)



Halogen Lamps



Stainless Steel
Push Button Controls



Anodized Aluminum
Mesh Filters

FEATURES

Size (in) & Type Finish	28" Wide Insert Stainless Steel
Controls	Stainless Steel Push Buttons
Illumination	2, 40 Watt Incandescent Lamps, 1 Light Intensity (bulbs included)
Installation Type	Ducted or Recirculating Installation Recirculating Kit Sold Separately
Blower Type	400 CFM, 3-Speed Internal
Blower Performance	Speed 1, 160 CFM, 1.5 Sones Speed 2, 280 CFM, 3.1 Sones Speed 3, 400 CFM, 5.9 Sones
Filter Type	2, Dishwasher-Safe, Anodized Aluminum Mesh Grease Filters
Duct Transition	6" Round with Back Draft Damper (top)
Electrical	120V-60Hz 340 Watts at 2.8 Amps
Warranty	2 Year Parts & Labor, In-Home Service

ACCESSORIES



Optional Recirculating Kit with 2 Carbon Filters
CODE: KIT02770
MODEL: KIT02770

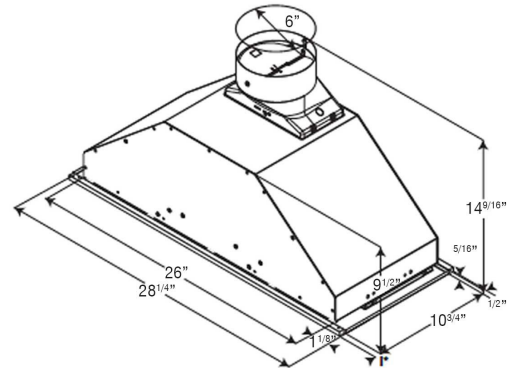


Optional 30" Hood Liner
29"W x 17 1/2" - 20 1/2"D
CODE: KIT02773
MODEL: EXXHDL30



Optional 36" Hood Liner
25"W x 17 1/2" - 20 1/2"D
CODE: KIT02774
MODEL: EXXHDL36

LINE DRAWING



CONSUMABLE PARTS

- Replacement Grease Filter (1) Replacement Carbon Filter (1) Replacement Light Bulb (1)
- CODE: GF08PA CODE: FB016A CODE: 2006CL

Consumable parts are sold in units of one (1). Order accordingly.