

**CONROE SEPTIC SERVICE, INC.**  
 P.O. BOX 273  
 CONROE, TEXAS 77305  
 (936) 588-1170

PLEASE PAY FROM THIS INVOICE  
 NO OTHER STATEMENT WILL BE SENT

|   |  |                |
|---|--|----------------|
| BILL TO<br>Clayton Lawrence                       |  | DATE<br>9/3/15 |
| ADDRESS   |  | ORDER TAKEN BY |
| CITY  |  |                |
| JOB NAME AND LOCATION<br>1671 E. Pine Lake Circle |  | JOB PHONE      |
| WORK ORDERED BY                                   |  |                |

| DESCRIPTION OF WORK       | TOTAL THIS INVOICE |
|---------------------------|--------------------|
| Installed Aerobic System  |                    |
| 1-500 Aerebic Treatment   |                    |
| 1-500 Aerobic             |                    |
| 1-750 Pump Tank           |                    |
| 850' deep line            |                    |
| 2 year service + warranty |                    |
|                           | 12500.00           |

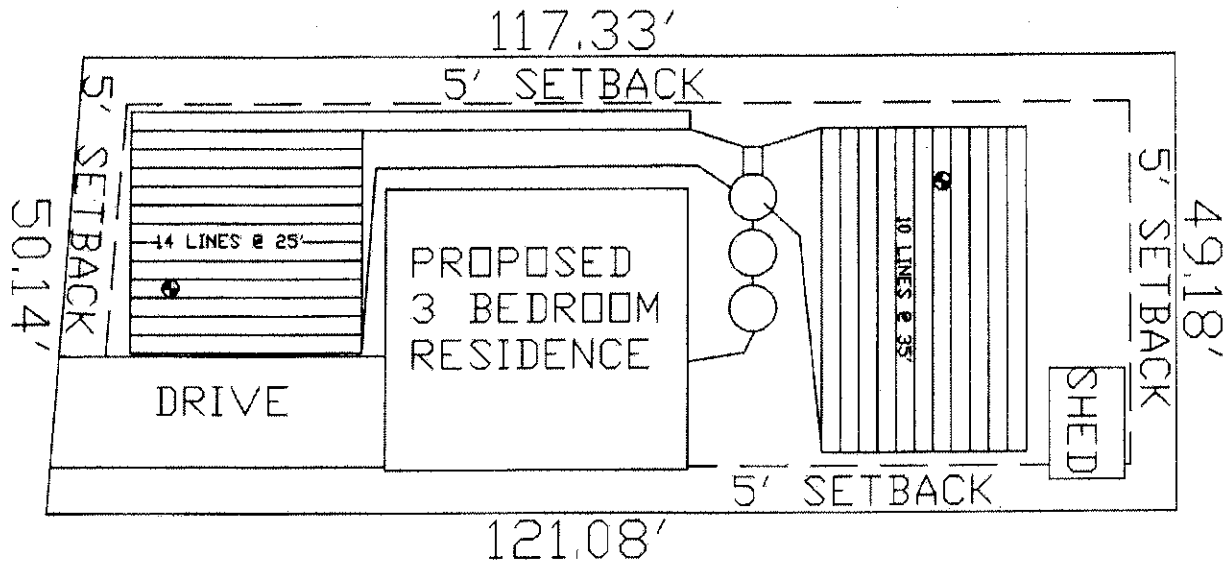
WE APPRECIATE YOUR BUSINESS

INVOICE NO.

ORIGINAL - WHITE  
 DUPLICATE - CANARY

TERMS:  
 DUE UPON RECEIPT

SLOPE PATTERN = FLAT



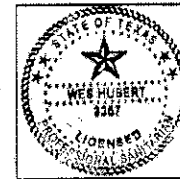
DUE TO INDICATION OF SEASONAL WATER @ 10"  
AREA MUST BE MOUNDED

**CALCULATION SUMMARY:**

TOTAL NUMBER OF BEDROOMS: 3 ( UNDER 2,500 sqft )  
 Q = 225 G.P.D.  
 APPLICATION RATE: 0.20 gal./sq.ft./DAY  
 TOTAL DRIP AREA REQUIRED = 1,125 sq.ft.  
 TOTAL DRIP AREA DESIGNED = 1,680 sq.ft.  
 INSTALL 840 LN. FT. OF DRIP TUBING 420 EMITTERS TOTAL  
 SET PUMP TO RUN 15 MINUTES 4 TIMES A DAY @ 3.75 GALS. PER MINUTES  
 INSTALL A 0.5 h.p. PRO FLO SUBMERSIBLE PUMP ( OR EQUIV. )  
 DESIGN BASED ON FINDINGS BY SITE EVALUATOR

**LEGEND:**

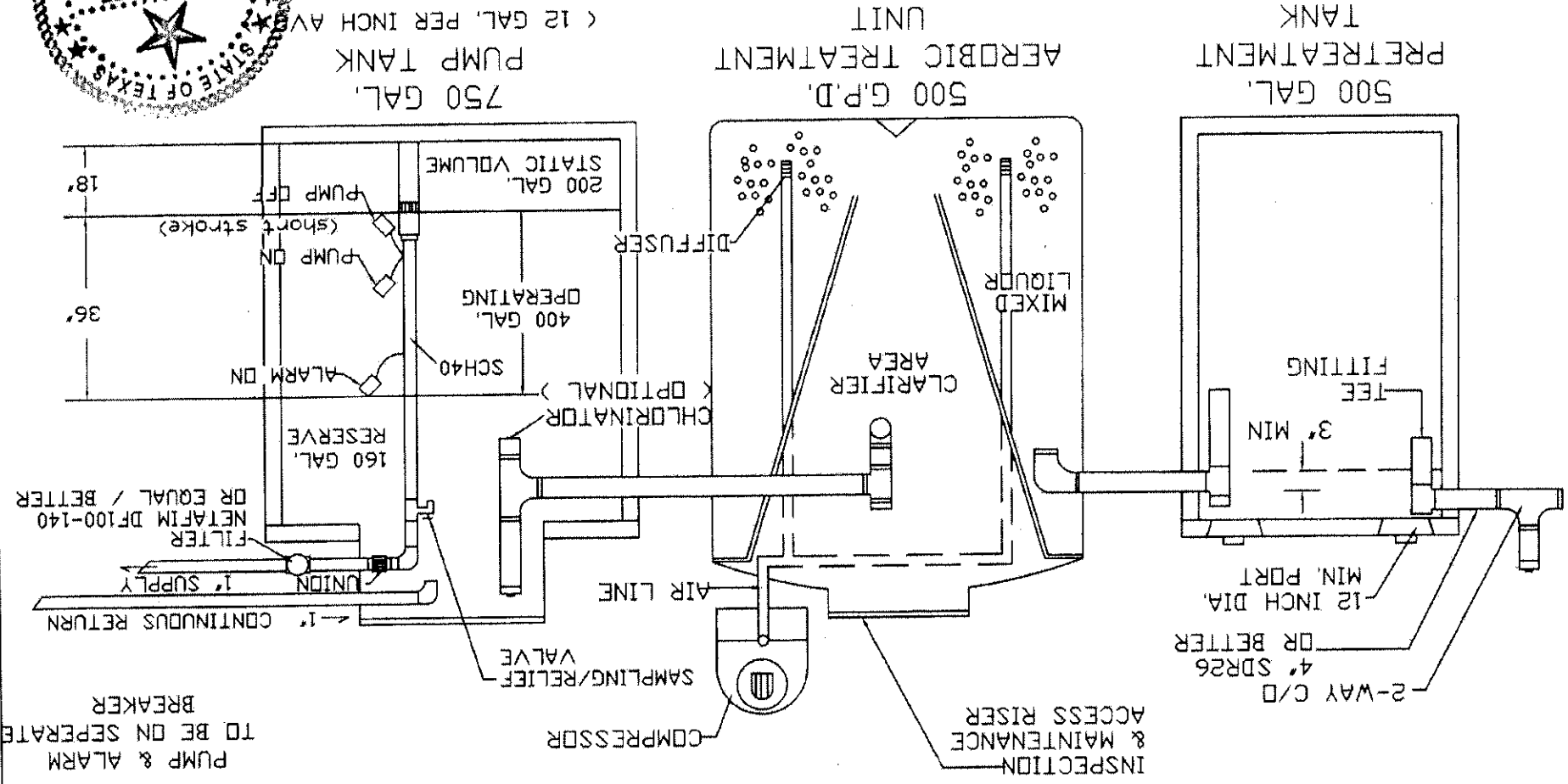
- TANKS: = 500 gal. PRETREATMENT TANK
- 500 G.P.D. AEROBIC TREATMENT UNIT
- 750 gal. PUMP TANK w/ MANUAL HEADWORKS & FILTER
- C/O = 2 WAY CLEAN-OUTS AT ALL STUB-OUTS FROM HOUSE
- 1 WAY CLEAN-OUTS EVERY 100' AND AT EVERY 90'
- TURN IN DIRECTION
- r = RADIAL DISTANCE INDICATED ABOVE
- ⊙ = BORE HOLE SITE



Sterlingenvironmental@consolidated.net

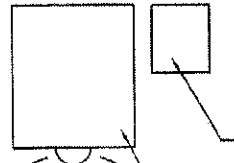
|   |               |                         |
|---|---------------|-------------------------|
| NAME: MARIA RIVERA                      | SURVEY: N/A   | DESIGNER: Wes Hubert    |
| ADDRESS: 1671 EAST PINE LAKE CIRCLE     | ABSTRACT: N/A | PHONE #: (936) 597-5558 |
| CITY, STATE, ZIP: MONTGOMERY, TX, 77316 | LOT: 88       | FAX #: (936) 597-8332   |
| SUBDIVISION: PINE LAKE CLUB             | BLOCK: N/A    | DATE: 02-03-15          |
| COUNTY: MONTGOMERY                      | SECTION: N/A  | SCALE: 1" = 20'         |

# TYPICAL FLOW DIAGRAM



CONTROL PANEL W/TIMER  
AUDIBLE/VISUAL ALARM

ELECTRICAL  
DISCONNECT

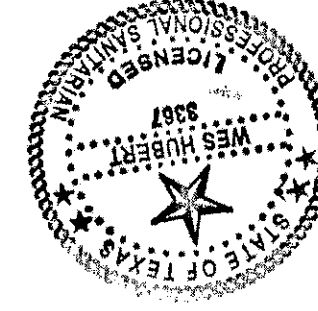


PUMP & ALARM  
TO BE ON SEPARATE  
BREAKER

1\"/>

NETAFIM DF100-140  
OR EQUAL / BETTER  
FILTER

160 GAL.  
RESERVE  
CHLORINATOR  
(OPTIONAL)  
400 GAL.  
OPERATING  
200 GAL.  
STATIC VOLUME



750 GAL.  
PUMP TANK  
< 12 GAL. PER INCH AV

*Handwritten signature*

SCALE N.T.S.

TYPICAL FLOW DIAGRAM

STERLING ENVIRONMENTAL (936) 597-5558

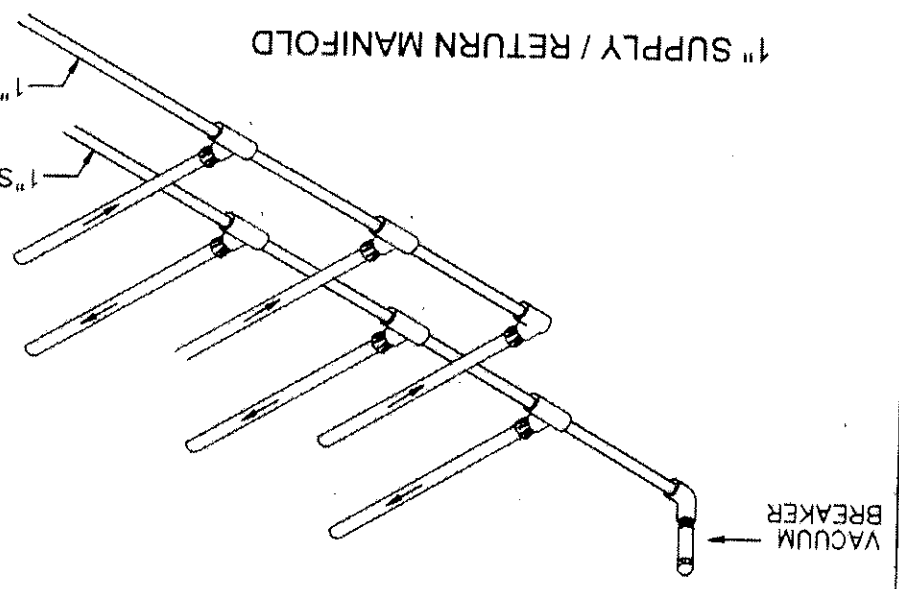
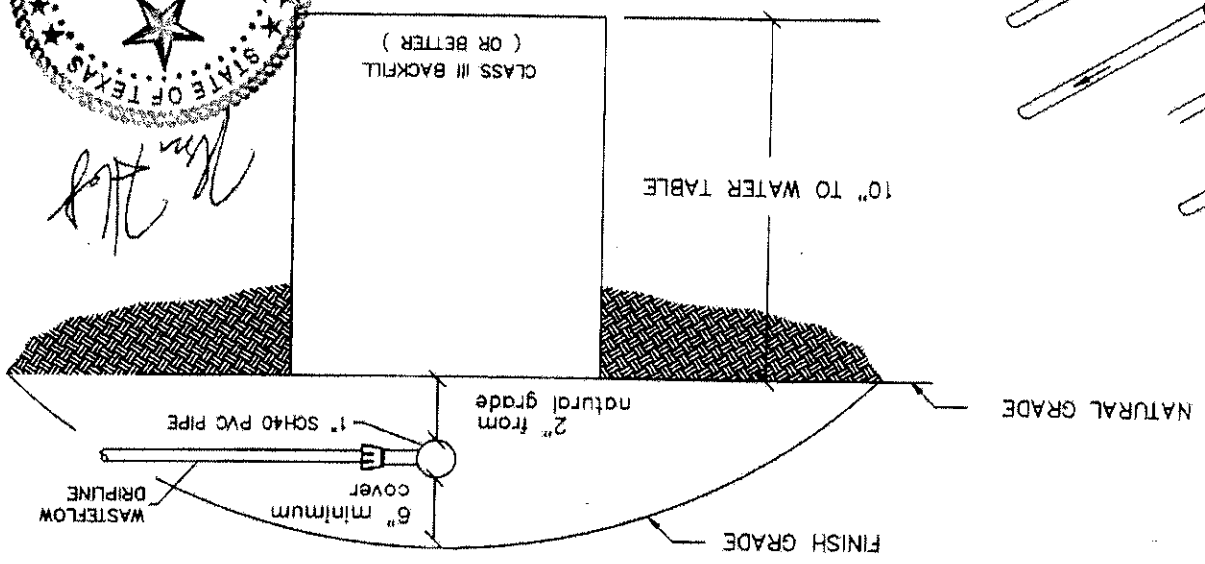
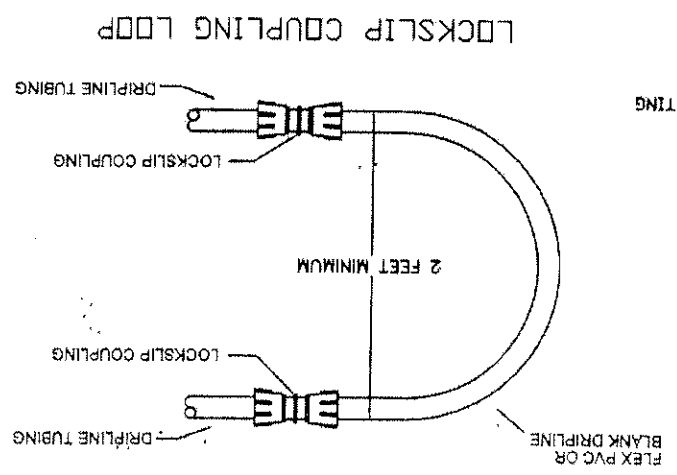
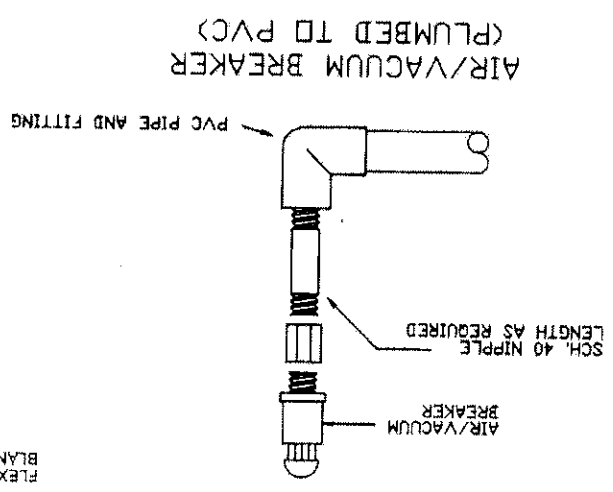
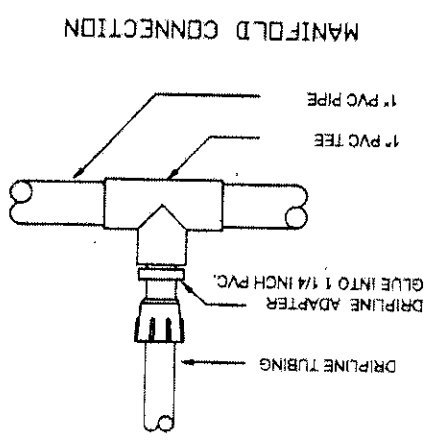
500 GAL.  
PRETREATMENT  
TANK

500 G.P.D.  
AEROBIC TREATMENT  
UNIT

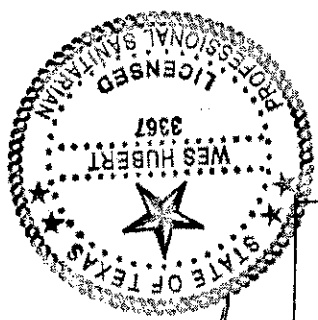
ACCESS RISERS REQUIRED  
IF TANK PORTS ARE 12\"/>

INSTALLER'S RESPONSIBILITY TO SET FLOATS  
IN PUMP TANK TO ACHIEVE PROPER OPERATING RANGES

TYPICAL MOUNDED DRIP TUBING INSTALL DETAIL



Sterling Septic  
PHONE # (936) 597-5558  
FAX # (936) 597-8332  
SCALE: N.T.S.



*Wes Hubbert*