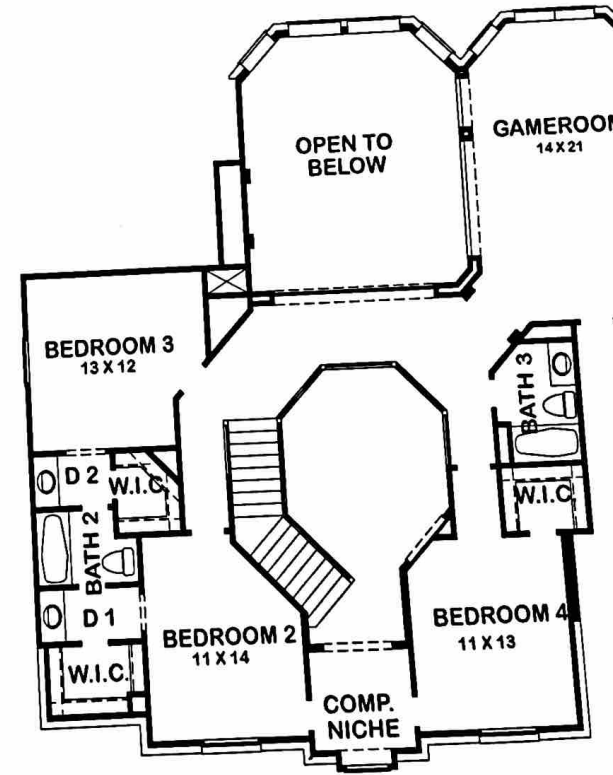
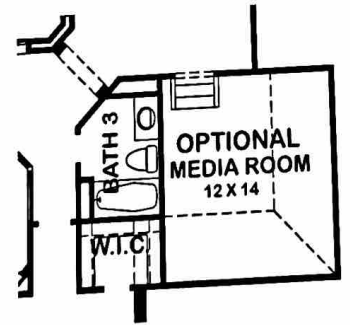
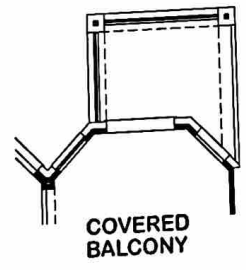
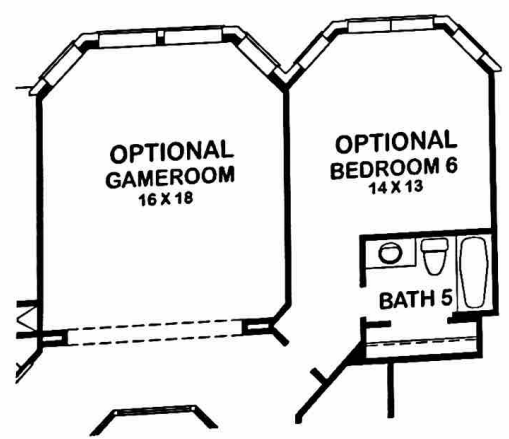
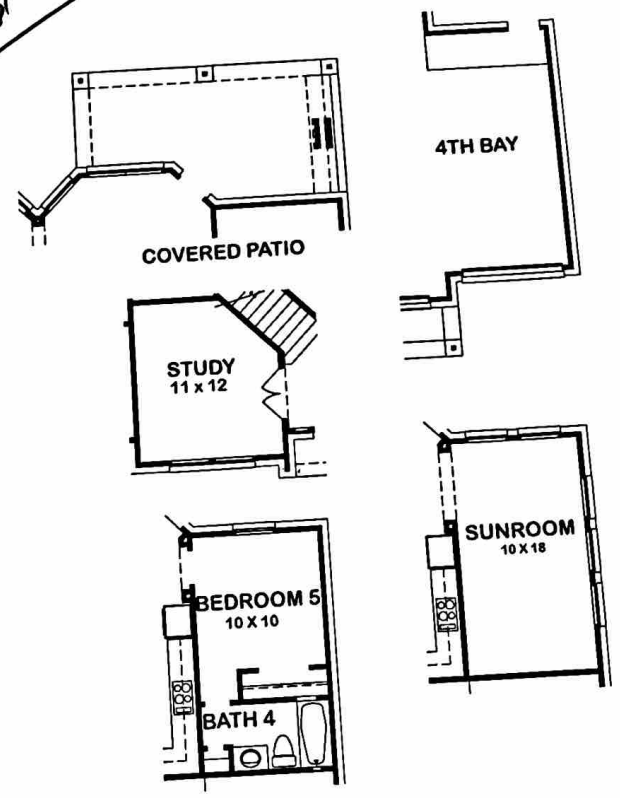
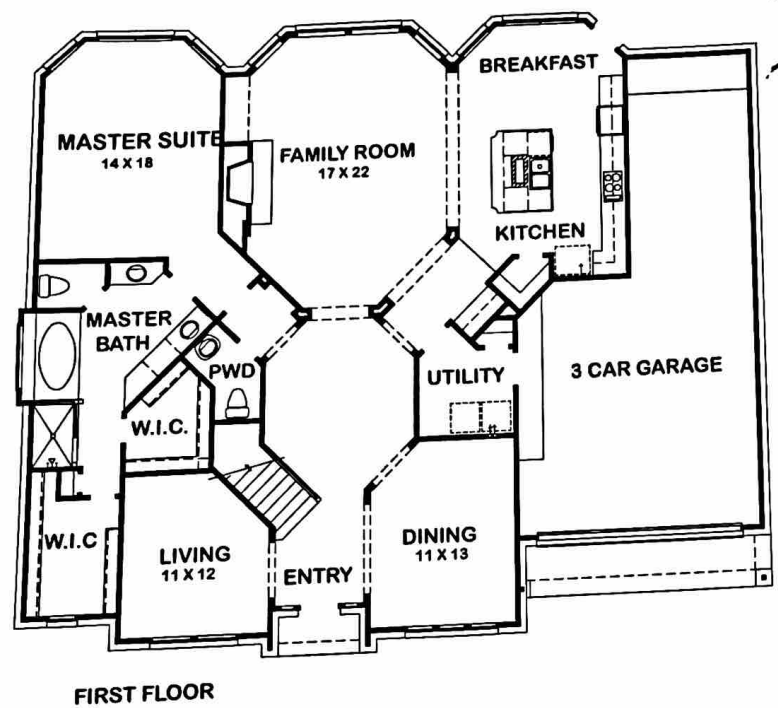


\$310,000
(15,000)

MAGNOLIA



Features:

- Approx. 3518 Square Feet
- 4 bedroom
- 3 - 1/2 Bath
- 3 - Car Garage

These drawings are conceptual only and are for the convenience of reference. They should not be relied upon as representations, express or implied, of the final detail of the residences. The builder expressly reserves the right to make modifications, revisions, and changes it deems desirable in its sole and absolute discretion. Dimensions and square footages are approximate and may vary with actual construction. rev 10/10 (1871)