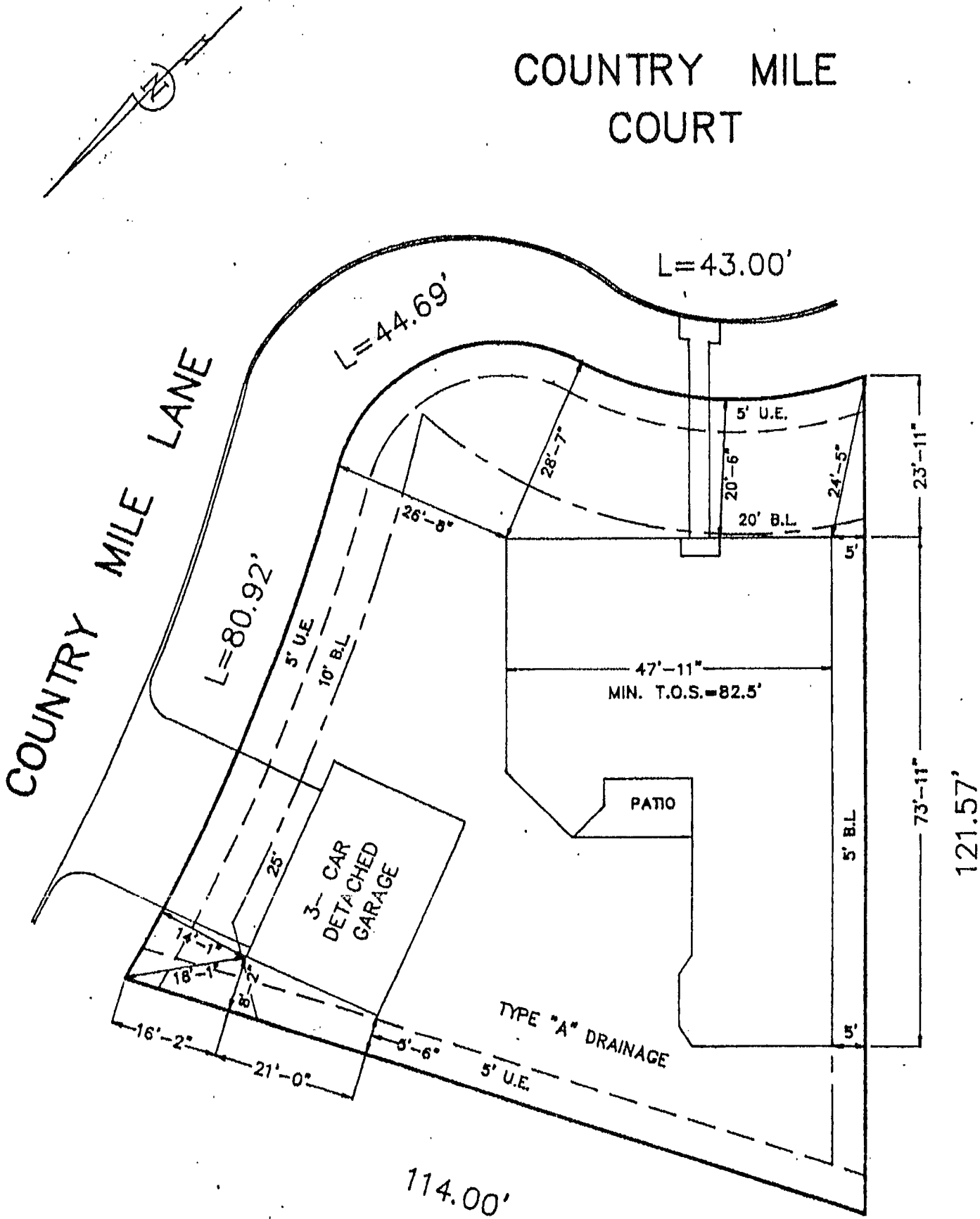
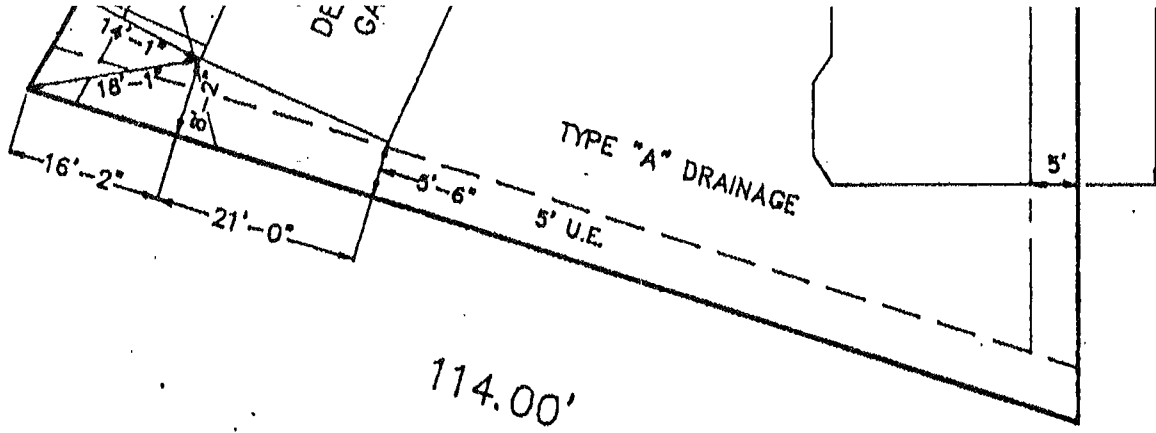


COUNTRY MILE COURT

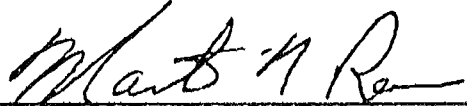
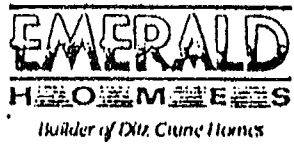


Minimum finished slab elevation shall be at or above 82.5 feet mean sea level and 18 inches above natural ground.



114.00'

Minimum finished slab elevation shall be at or above 82.5 feet mean sea level and 18 inches above natural ground.

I do hereby certify that this drawing or plan and related specifications meet all local code requirements and are in substantial conformity with V. A. Minimum Property Requirements. 	SCALE: 1"=20'		
	DATE: 3-20-91		
SUBDIVISION: PECAN GROVE PLANTATION, SECTION 9		COUNTY: FORT BEND	
LOT: 65		BLOCK: 1	
ADDRESS: 2011 COUNTRY MILE COURT			
PANEL:		PLAN: 2546.2 B DWG. PG8L65B1	



ROE SURVEYING COMPANY
 5018 Hardy Street Houston, Texas 77082 (713)887-3311