



ELEVATION B

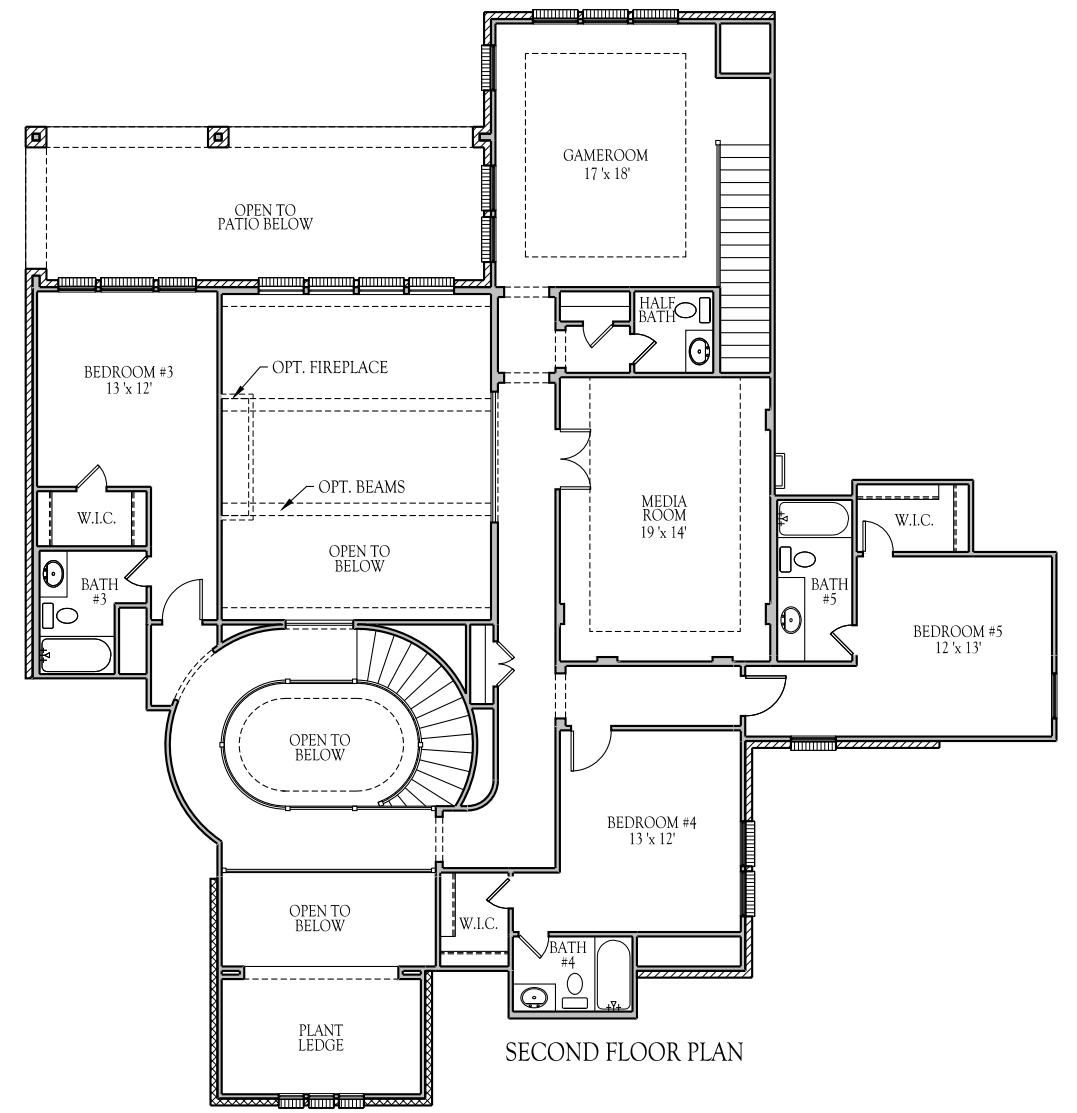
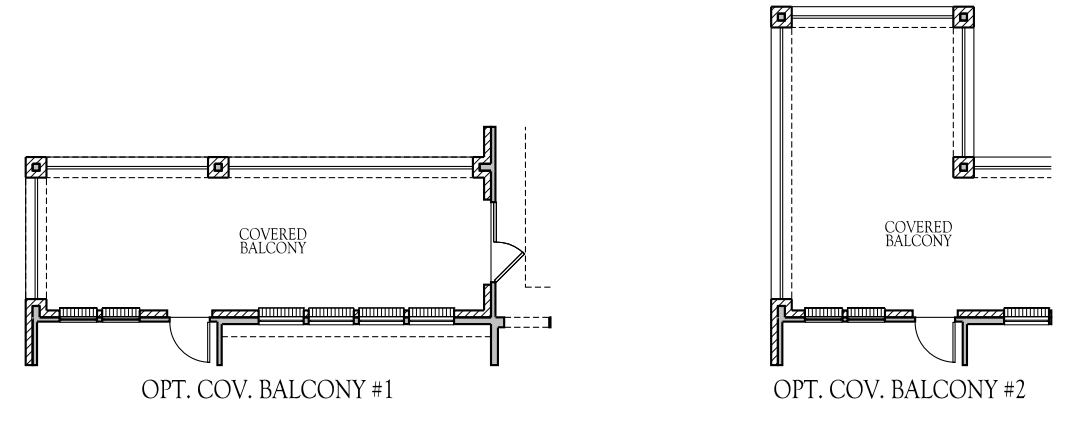
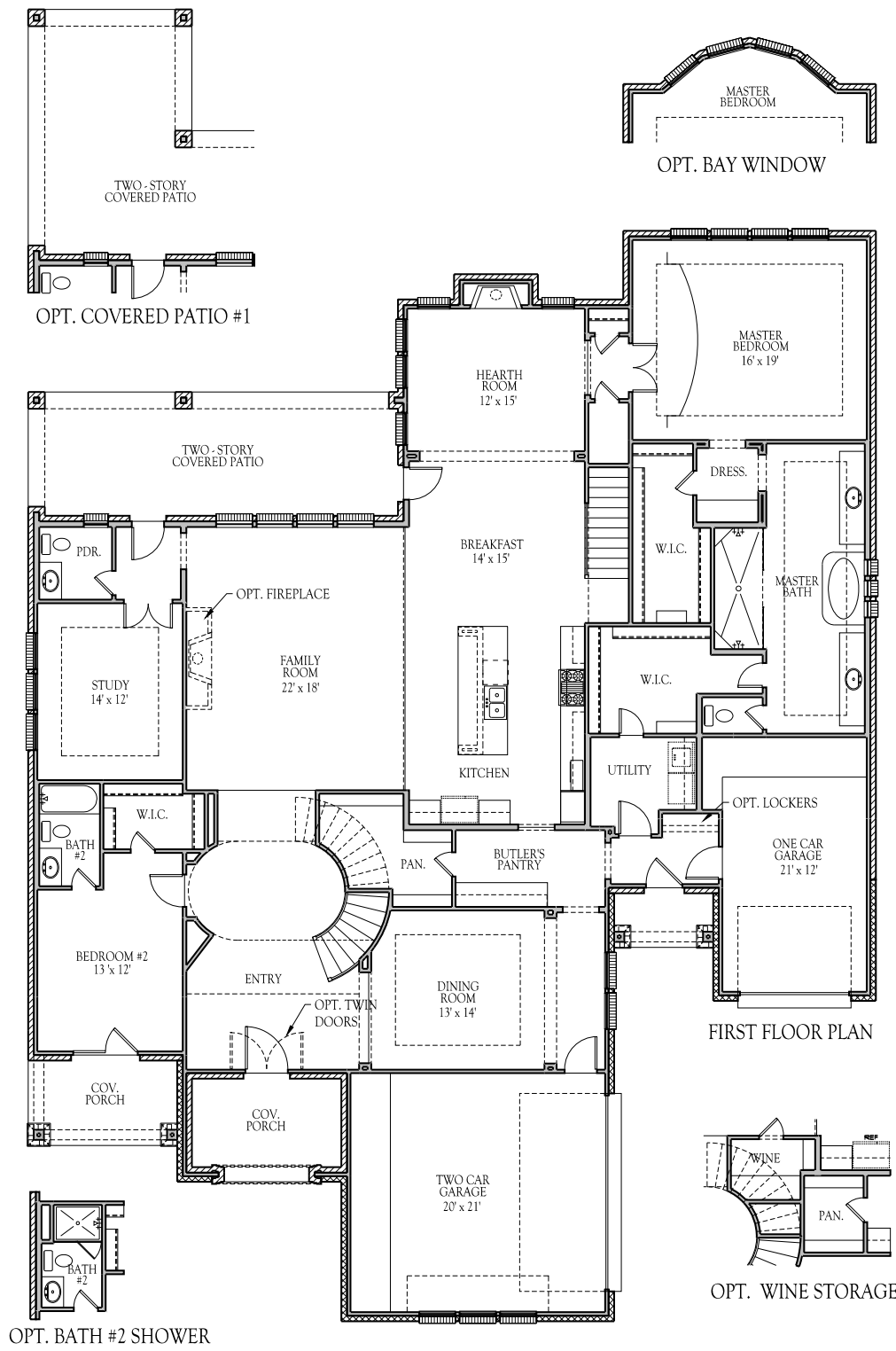


ELEVATION C



ELEVATION D





PLAN 8091

DARLINGHOMES.COM

All information (including, but not limited to prices, views, availability, incentives, floor plans, site plans, features, standards and options, assessments and fees, planned amenities, programs, conceptual artists' renderings and community development plans) deemed reliable as of publication date but not guaranteed and remains subject to change daily or delay without notice. Floor plans and elevations are an artist's conception and are not intended to show specific detailing. As-Built Condition will control. Price(s) shown may not reflect lot premiums, upgrades and options. Lot status "Sold" is an inclusive term that describes the present status of any Contract-submitted, Pending-sale or Closed property. All homes subject to prior sale. Maps and plans are not to scale and all dimensions are approximate. Not an offer in any state where prohibited or otherwise restricted by law. Please see a Darling Homes Community Sales Manager or visit [www.darlinghomes.com](http://www.darlinghomes.com) for further details. © April, 2020 2019, Darling Homes of Texas, LLC. All rights reserved. 04/19/20