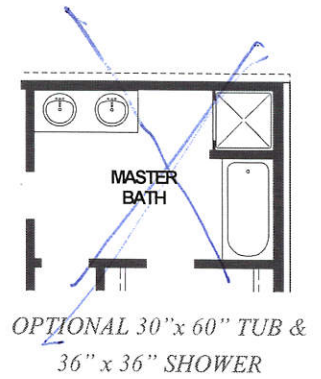




FIRST FLOOR PLAN



X HPM

X EC