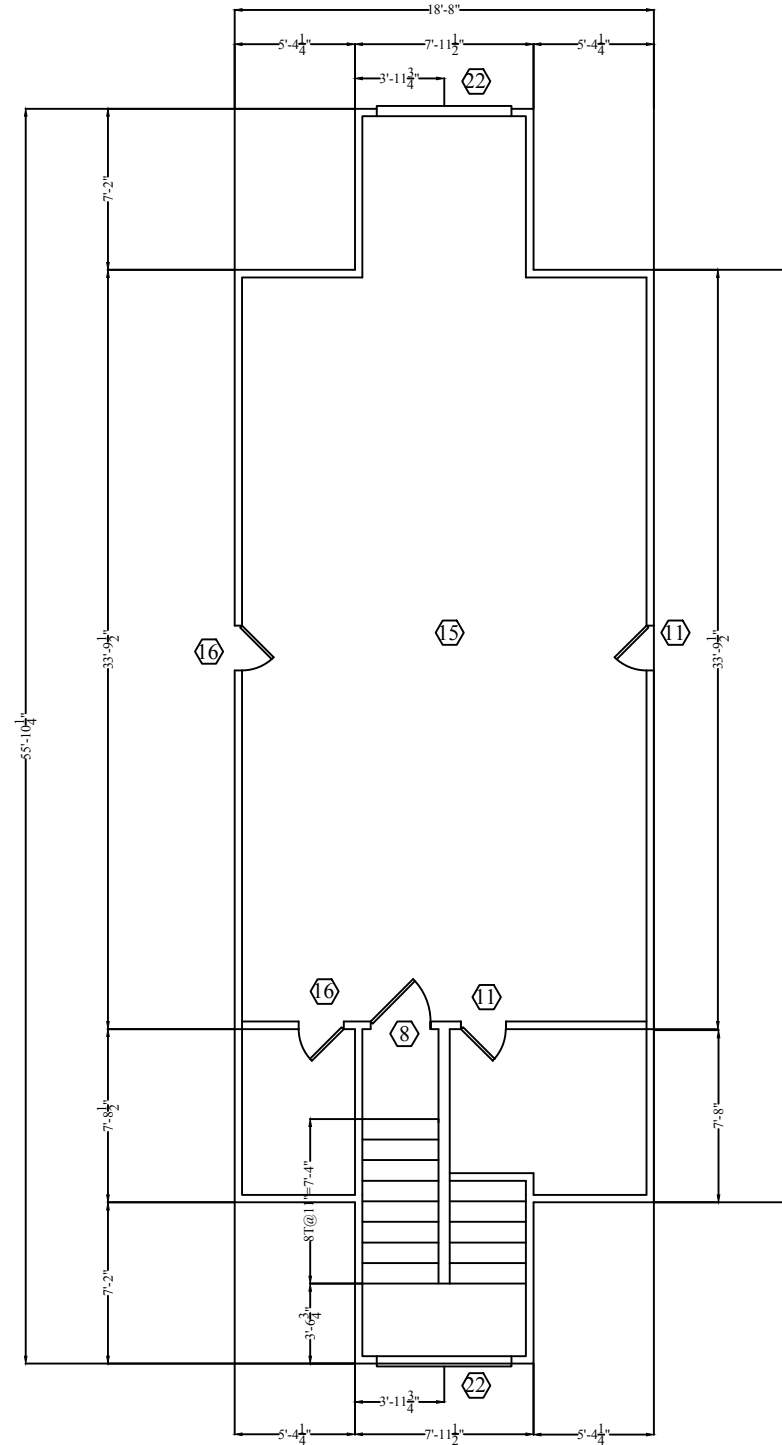


4.01 FIRST FLOOR PLAN

SCALE 1/4" = 1'-0"



4.02 ATTIC FLOOR PLAN

SCALE 1/4" = 1'-0"

NEW HOUSE
 PROJECT FOR
Victor Hegman
 21206 Scissor Tail Lane
 Galveston, TX 77554
 February 2020

 **GalvCAD**
 Technical Drawings & Design

Branko Gligoric
 BSME
 Tel: (409) 766-7227
 Cell: (409) 795-0625
 Fax: (409) 885-6233
 GalvCAD@comcast.net
 www.GalvCADonline.com
 4124 Avenue T 1/2
 Galveston TX 77550

SHEET NO:

A4

SHEET 4 OF 12