

6019
 HENRY HAMLET DRIVE
 (50' P.A.E./P.U.E.)

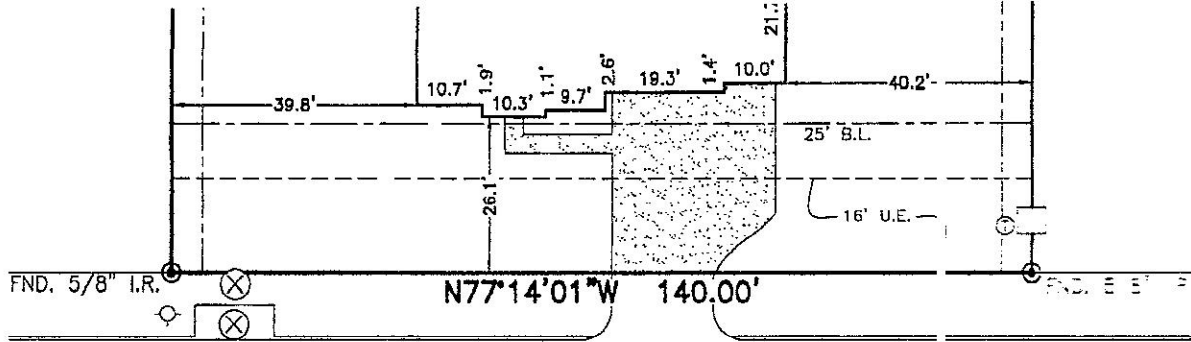
PLAT OF SURVEY
 SCALE: 1" = 30'

- NOTES:
- ALL BEARINGS SHOWN HEREON ARE BASED ON THE RECORDED PLAT.
 - ALLPOINTS LAND SURVEY, INC. IS NOT LIABLE FOR ANY DAMAGES DUE TO INFORMATION NOT PROVIDED TO SURVEYOR OR BUILDER PLACING ANY IMPROVEMENTS WITHIN A BUILDING LINE OR EASEMENT.
 - SUBJECT TO APPLICABLE RESTRICTIVE COVENANTS LISTED IN ITEM 1, SCHEDULE "B" OF TITLE COMMITMENT ISSUED BY FIRST AMERICAN TITLE INSURANCE Co. UNDER G.F. No 150-190207529.

FOR: KIMBERLY GAY FOX
 IISE WALLY FOX
 PAMELA MILLER

LOT 5, BLOCK 3,
 WATER CREST ON LAKE CONROE.





**6019
HENRY HAMLET DRIVE
(50' P.A.E./P.U.E.)**

PLAT OF SURVEY
SCALE: 1" = 30'

- NOTES:
 1. ALL BEARINGS SHOWN HEREON ARE BASED ON THE RECORDED PLAT.
 2. ALLPOINTS LAND SURVEY, INC. IS NOT LIABLE FOR ANY DAMAGES DUE TO INFORMATION NOT PROVIDED TO SURVEYOR OR BUILDER PLACING ANY DEPENDENCE UPON THIS SURVEY AND OF EASEMENT.
 3. SUBJECT TO APPLICABLE RESTRICTIVE COVENANTS LISTED IN ITEM 1, SCHEDULE "B" OF TITLE COMMITMENT ISSUED BY FIRST AMERICAN TITLE COMPANY OF HOUSTON, TEXAS.

FOR: **KIMBERLY GAY FOX**
ISE WALLY FOX
PAMELA MILLER
 ADDRESS: 6019 HENRY HAMLET DRIVE
 ALLPOINTS JOB#: DR153601 BY: DA
 G.F.: 150-190207529
 JOB:
 FLOOD ZONE: X
 COMMUNITY PANEL:
 48339C0360G
 EFFECTIVE DATE: 8/18/2014
 LOMR: DATE:

**LOT 5, BLOCK 3,
 WATER CREST ON LAKE CONROE,
 SECTION 4, REPLAT No. 1,
 CAB. Z, SHTS. 2849-2850, MAP RECORDS,
 MONTGOMERY COUNTY, TEXAS**

I HEREBY CERTIFY THAT THIS PLAT REPRESENTS THE
 RESULTS OF A SURVEY MADE ON THE GROUND, ON THE 17TH
 DAY OF JUNE, 2019.

J.R. [Signature]

