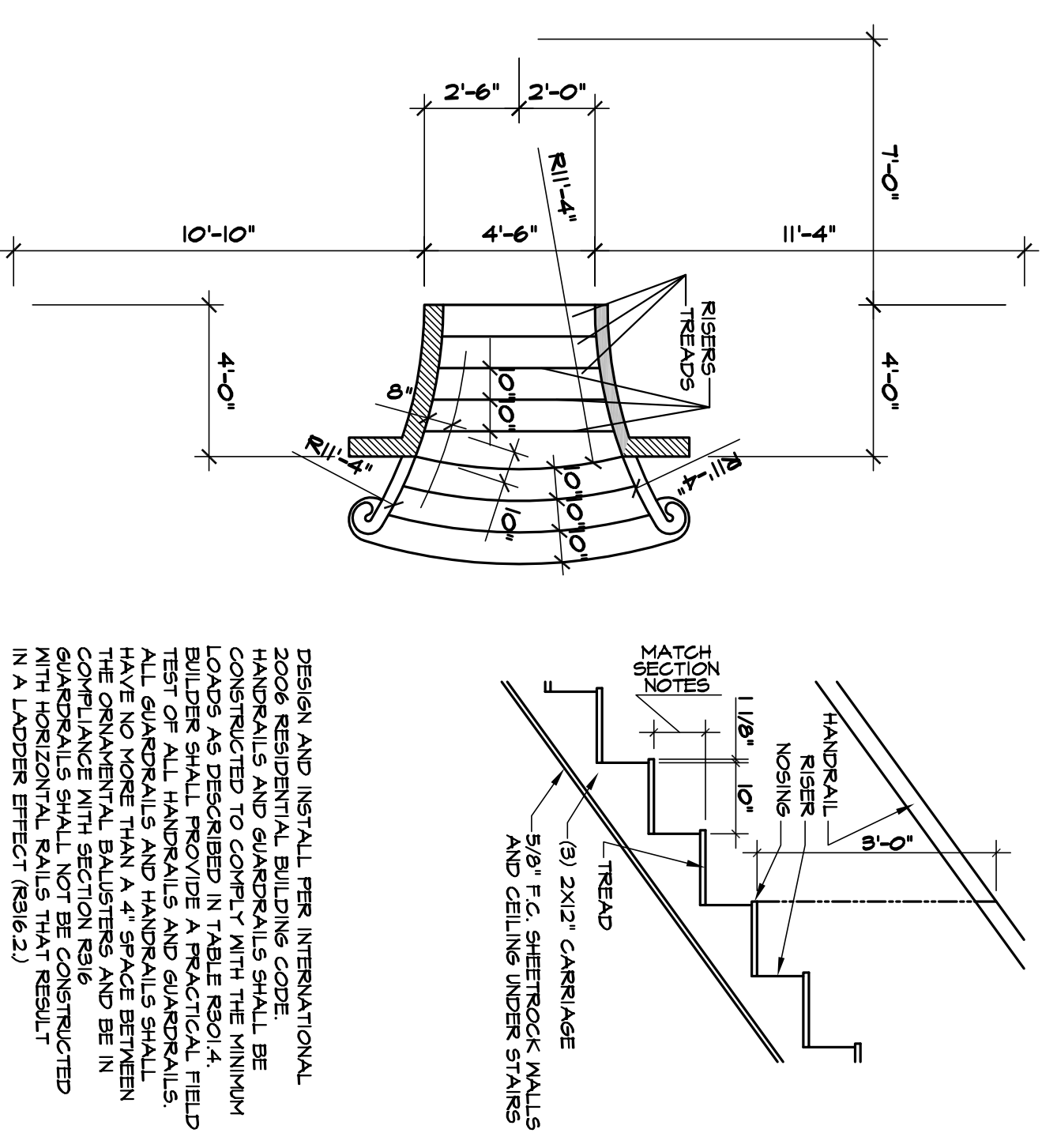


BID SET - NOT FOR CONSTRUCTION



WALL LEGEND
2x4 STUD WALL
2x6 STUD WALL

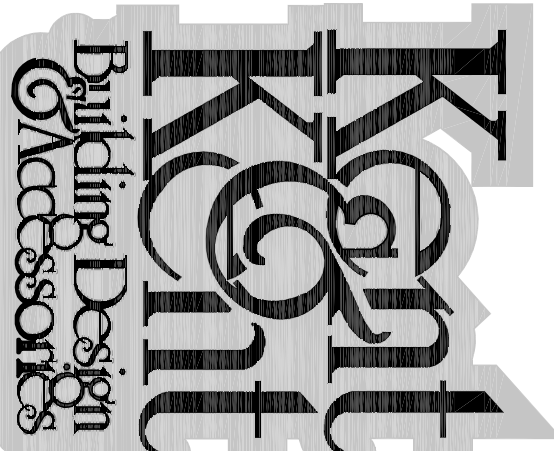
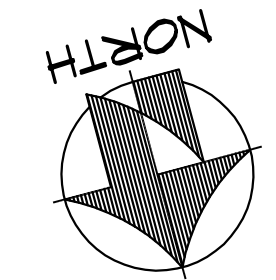
DOOR AND WINDOW NOTES
ALL EXTERIOR GLASS DOORS TO BE TEMPERED SAFETY GLASS.
ALL WINDOWS TO BE VERIFIED BY WINDOW MANUFACTURER REPRESENTATIVE.
PROVIDE SAFETY GLAZING FOR HAZARDOUS LOCATIONS PER SECTION R908.4
ALL OPERABLE WINDOWS AT SECOND FLOOR TO COMPLY WITH IRC R610.2
CMT = CASHEMINT
MT = MALLED TOGETHER
TS6 = TEMPERED SAFETY-GLASS
FG = FIXED GLASS

SECOND FLOOR PLAN

1/4" = 1'-0"
10-1 CLG HT U.O.N.

REPRODUCTION OF THESE PLANS IN WHOLE OR PART IS STRICTLY PROHIBITED BY COPYRIGHT LAWS. FOR ADDITIONAL COPIES CONTACT KENT & KENT INC.

3400 MILLCREST SUITE 120 HOUSTON TX 77042 713-911-0771 713-911-0775 dkent@kentandkent.com



RESIDENCE FOR: FAHAD AND CASSIE GHAFFAR

PROJECT LOCATION: 5550 NAVARRO STREET

COPYRIGHT 2013, KENT & KENT INC, ALL RIGHTS RESERVED

Professional seals and stamps for the architect and engineer, including the N.C.B.D.C. seal.

PLAN NO. 3742 DATE 10/16/2013 SHEET NO. 3 OF 5