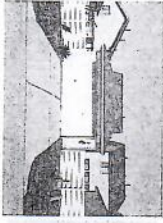


**EXACTA**  
SURVEYING

www.exacta365.com  
P. 281.763.7766 - F. 281.763.7767  
250 W. Oak Loop, Cedar Creek, TX 78612

1502.1668  
2054 YOUNG MEADOWS WAY KATY, TEXAS 77449



POWERED BY  
**STARS**  
SURVEY TRACKING  
RETRIEVAL SYSTEM  
www.surveystars.com

CLIENT ORDER NUMBER: CE1501-1X-290813 DATE: 2/20/2015  
BUYER: Colleen E. Hawkins and James M. Hawkins Jr.  
SELLER: COWEN LOAN SERVICES, LLC  
CENTRED TO:  
COLLEEN E. HAWKINS AND JAMES M. HAWKINS JR., FTS 36  
TEXAS TITLE, INC.; R WESTCOT LAND TITLE INSURANCE  
COMPANY

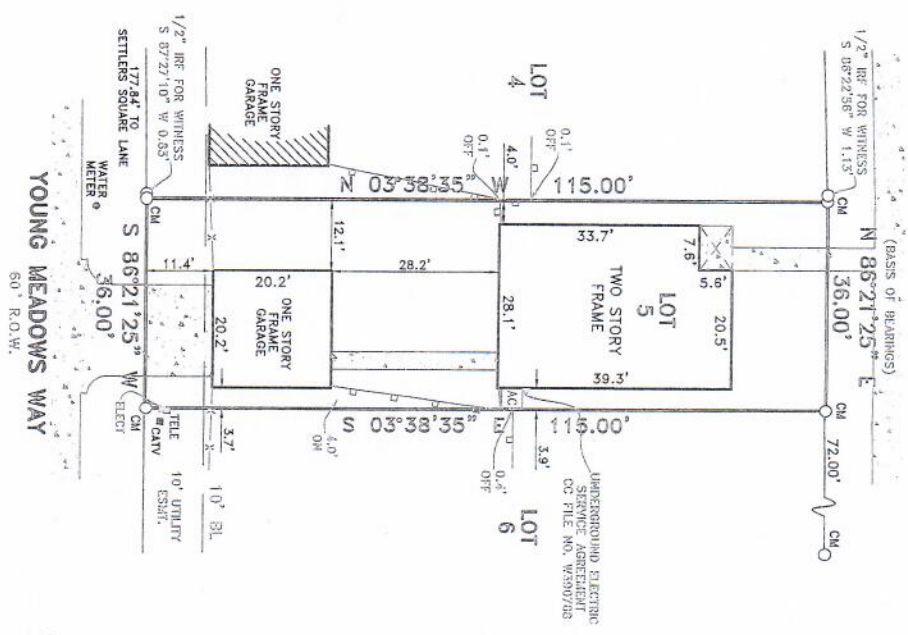
LOT FIVE (5), IN BLOCK FOUR (4), OF LAKEVILLE SEC. 1, A  
SUBDIVISION IN HARRIS COUNTY, TEXAS, ACCORDING TO THE  
MAP OF PLAT THEREOF RECORDED IN FILM CODE NO. 527117  
OF THE MAP RECORDS OF HARRIS COUNTY, TEXAS.

NONE VISIBLE

Exacta Texas Surveyors  
www.exacta365.com

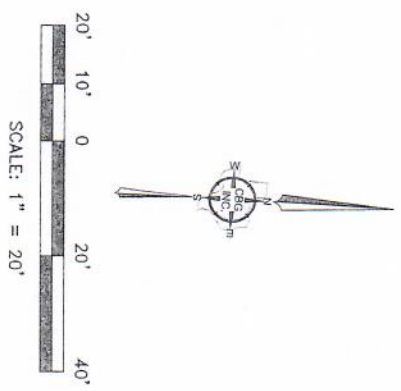
FIELD WORK DATE: 2/18/2015 REVISION DATES: (REV.1) 2/20/2015

RESTRICTED RESERVE "C"



Use of this survey other than intended, without written verification, will be at the user's sole risk and without liability to the Surveyor. Nothing herein shall be construed to give ANY rights or benefits to anyone other than those certified.

THIS PLAT IS THE PROPERTY OF EXACTA TEXAS SURVEYORS. IT IS TO BE USED ONLY FOR THE PURPOSES SPECIFIED HEREIN. ANY REPRODUCTION OR TRANSMISSION OF THIS PLAT IN ANY FORM OR BY ANY MEANS, WITHOUT THE WRITTEN PERMISSION OF EXACTA TEXAS SURVEYORS, IS STRICTLY PROHIBITED. EXACTA TEXAS SURVEYORS ASSUMES NO LIABILITY FOR ANY ERRORS OR OMISSIONS IN THIS PLAT. THE USER OF THIS PLAT SHALL BE RESPONSIBLE FOR VERIFYING THE ACCURACY OF THE INFORMATION CONTAINED HEREIN. EXACTA TEXAS SURVEYORS IS NOT RESPONSIBLE FOR ANY DAMAGES, INCLUDING REASONABLE ATTORNEY'S FEES, ARISING OUT OF OR FROM THE USE OF THIS PLAT. THE USER OF THIS PLAT SHALL BE RESPONSIBLE FOR OBTAINING ANY NECESSARY PERMITS OR APPROVALS FROM THE APPROPRIATE AGENCIES. EXACTA TEXAS SURVEYORS IS NOT RESPONSIBLE FOR ANY DAMAGES, INCLUDING REASONABLE ATTORNEY'S FEES, ARISING OUT OF OR FROM THE USE OF THIS PLAT. THE USER OF THIS PLAT SHALL BE RESPONSIBLE FOR OBTAINING ANY NECESSARY PERMITS OR APPROVALS FROM THE APPROPRIATE AGENCIES.



NOTE: PROPERTY SUBJECT TO TERMS,  
CONTAINED IN INSTRUMENT RECORDED IN  
FILM CODE NO. 527117, CC FILE NOS. V529865, V883236, W5709  
W635452, 20080167128, 20110545188, 20120040146, 201224037,  
20120241337, 20130212918, 20130586192

*[Handwritten Signature]*



www.exacta365.com  
P. 281.763.7766  
F. 281.763.7767

LB# 10193993

250 W. Oak Loop, Cedar Creek, TX 78612

**EXACTA**  
SURVEYING

- REVISION DATE
- SURVEYOR
- DATE
- SCALE
- PROJECT NAME
- PROJECT NUMBER
- PROJECT ADDRESS
- PROJECT CITY
- PROJECT STATE
- PROJECT ZIP
- PROJECT COUNTY
- PROJECT PLAT
- PROJECT INSTRUMENT
- PROJECT FILE NO.
- PROJECT DATE
- PROJECT TIME
- PROJECT WEATHER
- PROJECT SURFACE
- PROJECT VEGETATION
- PROJECT OBSTRUCTIONS
- PROJECT ADJACENT PLATS
- PROJECT ADJACENT OWNERS
- PROJECT ADJACENT SURVEYORS
- PROJECT ADJACENT INSTRUMENTS
- PROJECT ADJACENT FILM CODES
- PROJECT ADJACENT PLATS
- PROJECT ADJACENT OWNERS
- PROJECT ADJACENT SURVEYORS
- PROJECT ADJACENT INSTRUMENTS
- PROJECT ADJACENT FILM CODES

- CONTROLLING MONUMENT
- AIR CONDITIONER
- POOL, EQUIPMENT
- TERRACE/PORCH PAV.
- FINISH FLOOR
- CONCRETE FOUNDATION
- 1/2" ROD FOUND
- 1/2" ROD SET
- "X" FOUND/SET
- "X" FOUND/SET
- 500 NAIL, FOUND
- FOUND POST FOR CORNER
- BRICK/STONE CORNER
- SPONGE POLE
- SURVEYING ELECTRIC
- OVERHEAD ELECTRIC
- FIRE HYDRANT
- 1/4" LIGHT POLE
- STONE
- TILE
- BRICK
- WOOD
- CONCRETE
- COVERED AREA