



PRICE SUBJECT TO CHANGE AT ANY TIME - Due to unforeseen disruptions in the supply chain, substantial increases in costs of raw materials & electronic components, etc. please confirm pricing when you are ready to proceed. Please order your elevator as soon as possible to avoid increases. (We must be able to take accurate measurements prior to ordering.)

4-Stop

Preliminary Pricing for the Inclinator Elevette® Cable Drum

Project Name: Compass - Lance Rosmarin
Project Address: 3916 Hazard St, Houston, TX 77098

500# Capacity

Table with 3 columns: Materials, Unit Cost, Items Included. Lists various elevator components and their costs, ending with a Total Project Cost of \$29,662.00.

VERSION 10-22

Does not include construction costs to prepare hoistway & provide electrical
NOTE: ALL PRICES ALREADY INCLUDE 3.5% DISCOUNT FOR CHECK OR CASH

Accepted By: [Signature] Date: November 17, 2022
MSE Representative Date
Phone: 713-961-1940 Fax: 713-466-8844 Email: mselev@sbcglobal.net

The attached quote does not include construction costs by others to prepare the shaft or electrical/phone requirements. This quote will go directly to you from Dohman Builders' office. Please note that Marchal/Stevenson Elevator is not affiliated with Dohman Builders and is not responsible for their work. They can be reached at dohmanbuilders@yahoo.com or 409-370-9567 with any questions.

Marchal/Stevenson Elevator Co., Inc

Customer Information

Please provide job site information in the area below:

Resident's Name (if applicable)

Resident's Phone Number (if applicable)

Project # (Applicable when permit is required by local municipality)

Street Address

City, State, Zip Code

Please provide billing information in the area below:

Name (If a business, provide business name and contact)

Phone Number (If a business, provide office phone number)

Fax Number

Street Address

City, State, Zip Code

Email

Do you prefer to have information sent by Fax Email or Standard Mail?

Marchal/Stevenson Elevator Customer Selection Sheet for the Inclinator Elevette®

<p align="center">Cab Style</p> <p>Standard: <input type="checkbox"/> 200</p> <p>Optional: <input type="checkbox"/> 250 <input type="checkbox"/> 300 <input type="checkbox"/> 400 <input type="checkbox"/> 500 <input type="checkbox"/> 150</p> <p><input type="checkbox"/> Special _____</p>	<p align="center">Car Operating Panel (All Standard Pricing)</p> <p>Design: <input type="checkbox"/> Flush <input type="checkbox"/> Raised</p> <p>Color: <input type="checkbox"/> Brushed Stainless Steel <input type="checkbox"/> Brushed Brass</p> <p><input type="checkbox"/> Oil Rubbed Bronze</p> <p>Location: <input type="checkbox"/> Standard</p> <p><input type="checkbox"/> Custom placement: _____</p> <p align="center"><small>(Requires approval by MSE)</small></p>				
<p align="center">Wood Panels</p> <p>Standard: <input type="checkbox"/> Red Oak <input type="checkbox"/> Maple</p> <p>Optional: <input type="checkbox"/> Mahogany <input type="checkbox"/> Walnut</p> <p><input type="checkbox"/> Cherry <input type="checkbox"/> Clear Alder</p> <p><input type="checkbox"/> Medium Oak <input type="checkbox"/> Dark Oak</p>	<p align="center">Hall Stations (All Standard Pricing)</p> <p>Design: <input type="checkbox"/> Flush (Retro-Fit Jobs Require Confirmation for Flush Option)</p> <p><input type="checkbox"/> Raised</p> <p>Color: <input type="checkbox"/> Brushed Stainless Steel <input type="checkbox"/> Brushed Brass</p> <p><input type="checkbox"/> Oil Rubbed Bronze</p> <p>Optional: (Options Below Typically Beneficial for Exterior Doors Only)</p> <p><input type="checkbox"/> Keylock _____ (Fill in Quantity)</p> <p><input type="checkbox"/> Stainless Steel Water/Corrosion Resistant Stations _____ (Quantity)</p>				
<p align="center">Wood Panel Finish</p> <p>Standard: <input type="checkbox"/> Unfinished</p> <p>Optional: <input type="checkbox"/> Semi-Gloss <input type="checkbox"/> Satin <input type="checkbox"/> Gloss</p> <p><input type="checkbox"/> Standard White Paint -- Semi-Gloss Finish</p>	<p align="center">Phone Options</p> <p>Standard: <input type="checkbox"/> Hanging Wall Phone (Continue to Gate Choice)</p> <p>Optional: <input type="checkbox"/> Speaker Phone <input type="checkbox"/> Phone Box</p> <p>Select: <input type="checkbox"/> Oil Rubbed Bronze</p> <p><input type="checkbox"/> Brushed Brass</p> <p><input type="checkbox"/> Brushed Stainless Steel</p> <p>Select: <input type="checkbox"/> Standard Location <input type="checkbox"/> Custom Location _____</p>				
<p align="center">Cab Ceiling (All Standard Pricing)</p> <p><input type="checkbox"/> Matching Wood <input type="checkbox"/> White Melamine</p>	<p align="center">Gate(s)</p> <table border="1" style="width:100%; border-collapse: collapse;"> <tr> <td style="width:50%; padding: 5px;"> <p>Standard:</p> <p><u>Vinyl Accordion Laminate</u></p> <p><input type="checkbox"/> Maple <input type="checkbox"/> Walnut</p> <p><input type="checkbox"/> Natural Oak <input type="checkbox"/> White</p> <p><input type="checkbox"/> Light Oak <input type="checkbox"/> Teak</p> <p><input type="checkbox"/> Dark Oak <input type="checkbox"/> Chalk</p> <p><input type="checkbox"/> Cherry <input type="checkbox"/> Tan</p> <p><input type="checkbox"/> Mahogany <input type="checkbox"/> Black</p> <p><input type="checkbox"/> Rattan <input type="checkbox"/> Tahiti</p> <p><input type="checkbox"/> Amethyst <input type="checkbox"/> Grey</p> </td> <td style="width:50%; padding: 5px;"> <p>Optional:</p> <p><u>Accordion Options</u></p> <p><input type="checkbox"/> Add 3 Vision Panels (N/A on Acrylic Gate)</p> <p><input type="checkbox"/> Auto Gate Operator(s)</p> <p><input type="checkbox"/> Auto Door Operator(s)</p> </td> </tr> <tr> <td style="padding: 5px;"> <p>Optional:</p> <p><u>Accordion Options</u></p> <p><input type="checkbox"/> Maple <input type="checkbox"/> Walnut</p> <p><input type="checkbox"/> Oak <input type="checkbox"/> Mahogany</p> <p><input type="checkbox"/> Cherry <input type="checkbox"/> Alder</p> <p>All Acrylic Vision Panel:</p> <p><input type="checkbox"/> Clear Acrylic</p> <p><input type="checkbox"/> Tinted (Bronze) Acrylic</p> <p>Aluminum:</p> <p><input type="checkbox"/> Silver Solid <input type="checkbox"/> Silver Perf.</p> <p><input type="checkbox"/> ORB Solid <input type="checkbox"/> ORB Perf.</p> </td> <td style="padding: 5px;"> <p>Optional:</p> <p><u>Scissor Gate (Anodized)</u></p> <p><input type="checkbox"/> Clear/Silver</p> <p><input type="checkbox"/> Oil Rubbed Bronze</p> </td> </tr> </table>	<p>Standard:</p> <p><u>Vinyl Accordion Laminate</u></p> <p><input type="checkbox"/> Maple <input type="checkbox"/> Walnut</p> <p><input type="checkbox"/> Natural Oak <input type="checkbox"/> White</p> <p><input type="checkbox"/> Light Oak <input type="checkbox"/> Teak</p> <p><input type="checkbox"/> Dark Oak <input type="checkbox"/> Chalk</p> <p><input type="checkbox"/> Cherry <input type="checkbox"/> Tan</p> <p><input type="checkbox"/> Mahogany <input type="checkbox"/> Black</p> <p><input type="checkbox"/> Rattan <input type="checkbox"/> Tahiti</p> <p><input type="checkbox"/> Amethyst <input type="checkbox"/> Grey</p>	<p>Optional:</p> <p><u>Accordion Options</u></p> <p><input type="checkbox"/> Add 3 Vision Panels (N/A on Acrylic Gate)</p> <p><input type="checkbox"/> Auto Gate Operator(s)</p> <p><input type="checkbox"/> Auto Door Operator(s)</p>	<p>Optional:</p> <p><u>Accordion Options</u></p> <p><input type="checkbox"/> Maple <input type="checkbox"/> Walnut</p> <p><input type="checkbox"/> Oak <input type="checkbox"/> Mahogany</p> <p><input type="checkbox"/> Cherry <input type="checkbox"/> Alder</p> <p>All Acrylic Vision Panel:</p> <p><input type="checkbox"/> Clear Acrylic</p> <p><input type="checkbox"/> Tinted (Bronze) Acrylic</p> <p>Aluminum:</p> <p><input type="checkbox"/> Silver Solid <input type="checkbox"/> Silver Perf.</p> <p><input type="checkbox"/> ORB Solid <input type="checkbox"/> ORB Perf.</p>	<p>Optional:</p> <p><u>Scissor Gate (Anodized)</u></p> <p><input type="checkbox"/> Clear/Silver</p> <p><input type="checkbox"/> Oil Rubbed Bronze</p>
<p>Standard:</p> <p><u>Vinyl Accordion Laminate</u></p> <p><input type="checkbox"/> Maple <input type="checkbox"/> Walnut</p> <p><input type="checkbox"/> Natural Oak <input type="checkbox"/> White</p> <p><input type="checkbox"/> Light Oak <input type="checkbox"/> Teak</p> <p><input type="checkbox"/> Dark Oak <input type="checkbox"/> Chalk</p> <p><input type="checkbox"/> Cherry <input type="checkbox"/> Tan</p> <p><input type="checkbox"/> Mahogany <input type="checkbox"/> Black</p> <p><input type="checkbox"/> Rattan <input type="checkbox"/> Tahiti</p> <p><input type="checkbox"/> Amethyst <input type="checkbox"/> Grey</p>	<p>Optional:</p> <p><u>Accordion Options</u></p> <p><input type="checkbox"/> Add 3 Vision Panels (N/A on Acrylic Gate)</p> <p><input type="checkbox"/> Auto Gate Operator(s)</p> <p><input type="checkbox"/> Auto Door Operator(s)</p>				
<p>Optional:</p> <p><u>Accordion Options</u></p> <p><input type="checkbox"/> Maple <input type="checkbox"/> Walnut</p> <p><input type="checkbox"/> Oak <input type="checkbox"/> Mahogany</p> <p><input type="checkbox"/> Cherry <input type="checkbox"/> Alder</p> <p>All Acrylic Vision Panel:</p> <p><input type="checkbox"/> Clear Acrylic</p> <p><input type="checkbox"/> Tinted (Bronze) Acrylic</p> <p>Aluminum:</p> <p><input type="checkbox"/> Silver Solid <input type="checkbox"/> Silver Perf.</p> <p><input type="checkbox"/> ORB Solid <input type="checkbox"/> ORB Perf.</p>	<p>Optional:</p> <p><u>Scissor Gate (Anodized)</u></p> <p><input type="checkbox"/> Clear/Silver</p> <p><input type="checkbox"/> Oil Rubbed Bronze</p>				
<p align="center">Flooring</p> <p>Standard:</p> <p><input type="checkbox"/> Flooring by Others - Thickness of Flooring ____ In. (Cab height will be reduced by flooring thickness installed)</p> <p>Optional: <input type="checkbox"/> Cherry Laminate <input type="checkbox"/> Natural Oak Laminate</p> <p><input type="checkbox"/> Maple Laminate <input type="checkbox"/> Walnut Laminate</p> <p><input type="checkbox"/> Unfinished Red Oak – Tongue & Groove</p> <p><input type="checkbox"/> Red Oak – Tongue & Groove - Finished to Match Panels</p>	<p align="center">Handrail</p> <p>Standard: <input type="checkbox"/> None <input type="checkbox"/> Matching Wood (Flat)</p> <p>Optional: <input type="checkbox"/> Round Brushed Stainless</p> <p><input type="checkbox"/> Round Brushed Brass</p> <p><input type="checkbox"/> Round Oil Rubbed Bronze</p> <p><input type="checkbox"/> Flat Stainless Steel</p> <p><input type="checkbox"/> Flat Brushed Brass</p>				
<p align="center">Lighting</p> <p>Standard: <input type="checkbox"/> 2 LED Lights</p> <p><input type="checkbox"/> Customer to Provide Lighting</p> <p>Optional: <input type="checkbox"/> (4) LED Lights</p> <p>Select Trim Color for LED:</p> <p><input type="checkbox"/> White <input type="checkbox"/> Oil Rubbed Bronze</p>	<p align="center">Cab Height</p> <p>Standard: <input type="checkbox"/> 6' 8"</p> <p>Optional: <input type="checkbox"/> 8' – (Requires Sufficient Overhead)</p> <p><input type="checkbox"/> Other: _____</p>				
<p align="center">Choose Sidestrip Color for All Accordion Gates:</p> <p align="center"><input type="checkbox"/> Bronze <input type="checkbox"/> Clear/Silver <input type="checkbox"/> White</p>					

Customer Name/Address: _____

Signed: _____

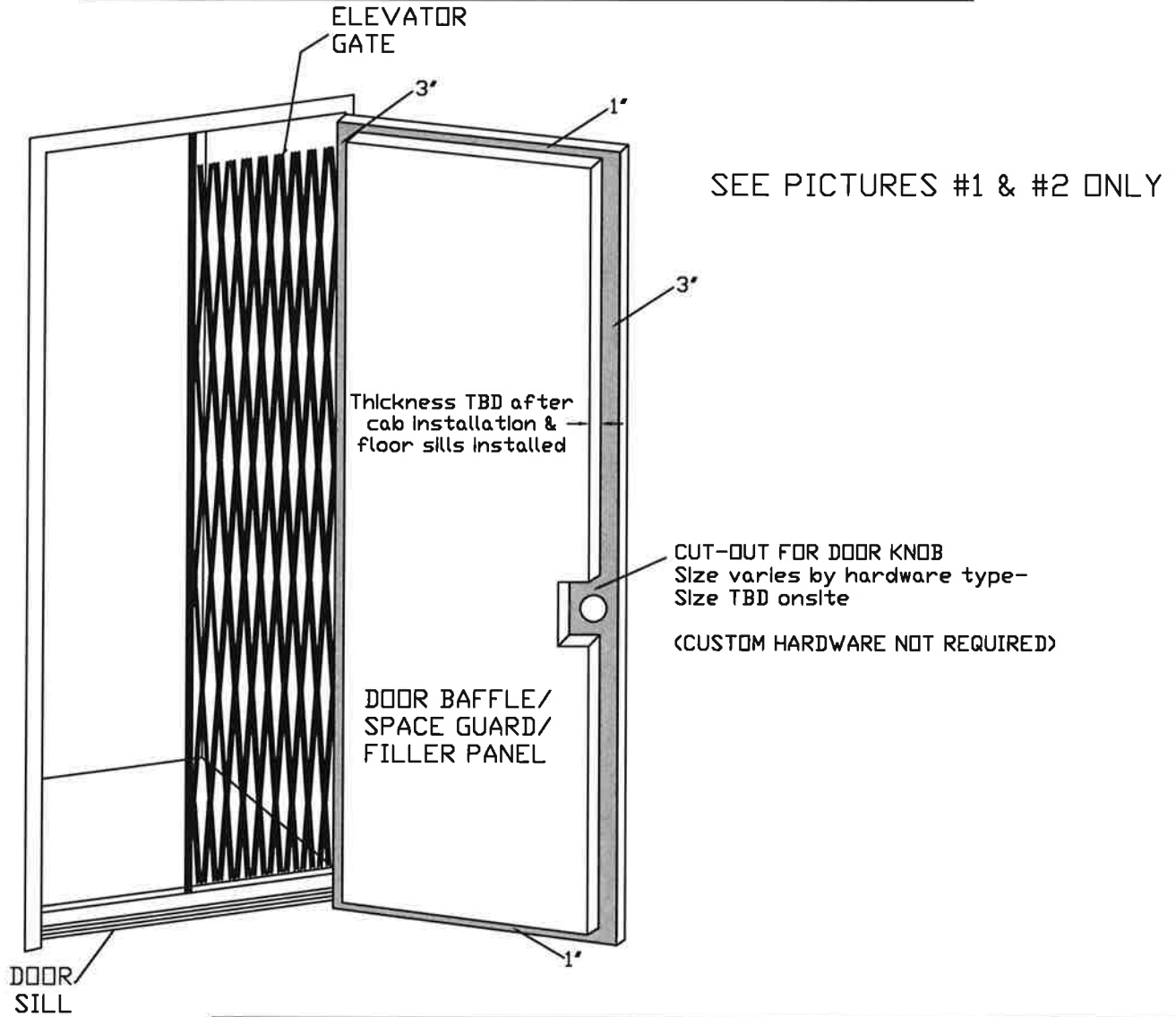
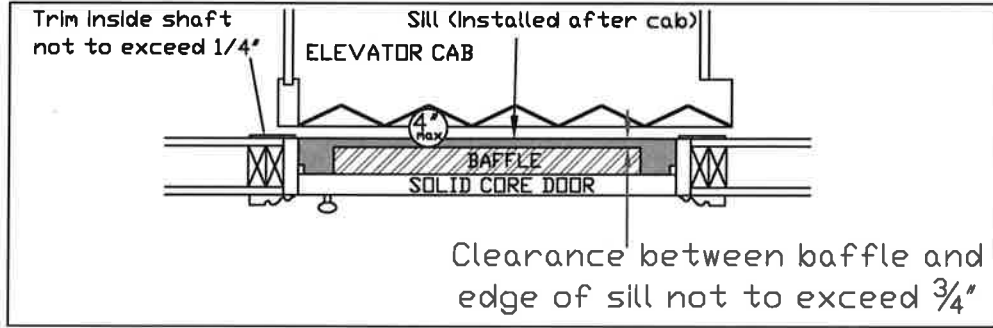
Date: _____

3/4" x 4" RULE - ASME 17.1 SECTION 5.3

STANDARD DOOR

1. Where swinging hoistway doors and either folding or horizontally sliding car doors are used and both doors are in the fully closed position, the space between the hoistway door and the elevator gate must reject a 4" diameter ball at all points.

2. The distance between the face of the hoistway/shaft door and the edge of the landing sill shall not exceed 3/4" for swinging doors.



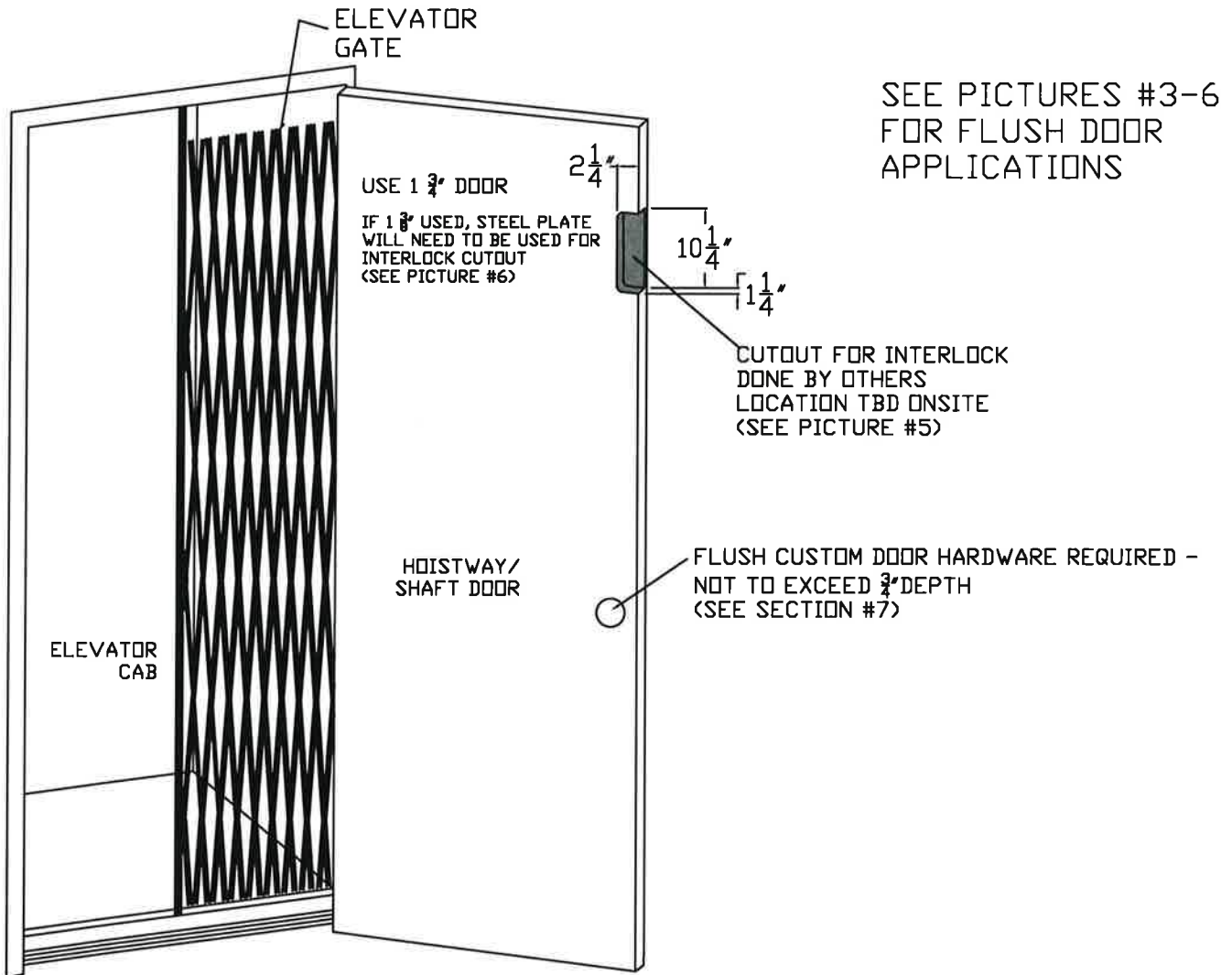
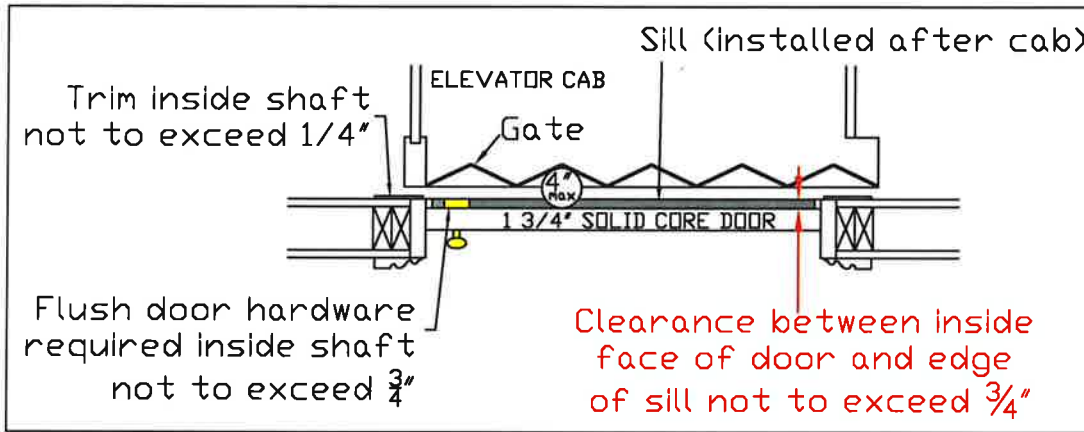
DOOR BAFFLE/
SPACE GUARD/
FILLER PANEL

MARCHAL/STEVENSON ELEVATOR CO. INC.
11050 WEST LITTLE YORK, BLDG. E HOUSTON, TX 77041
713-961-1940 PHONE
WWW.MARCHALSTEVENSON.COM

3/4" x 4" RULE - ASME 17.1 SECTION 5.3

FLUSH DOOR

1. Where swinging hoistway doors and either folding or horizontally sliding car doors are used and both doors are in the fully closed position, the space between the hoistway/shaft door and the elevator gate must reject a 4" diameter ball at all points.
2. The distance between the face of the hoistway/shaft door and the edge of the landing sill shall not exceed 3/4" for swinging doors.



MARCHAL/STEVENSON ELEVATOR CO. INC.
11050 WEST LITTLE YORK, BLDG. E HOUSTON, TX 77041
713-961-1940 PHONE
WWW.MARCHALSTEVENSON.COM

FLUSH DOOR



#1 Example of Door Baffle
Space Guard
(Filler Panel)

No Custom Door Hardware
Required for Doors with Baffles



#2 Example of Door Baffle
Space Guard
(Filler Panel)

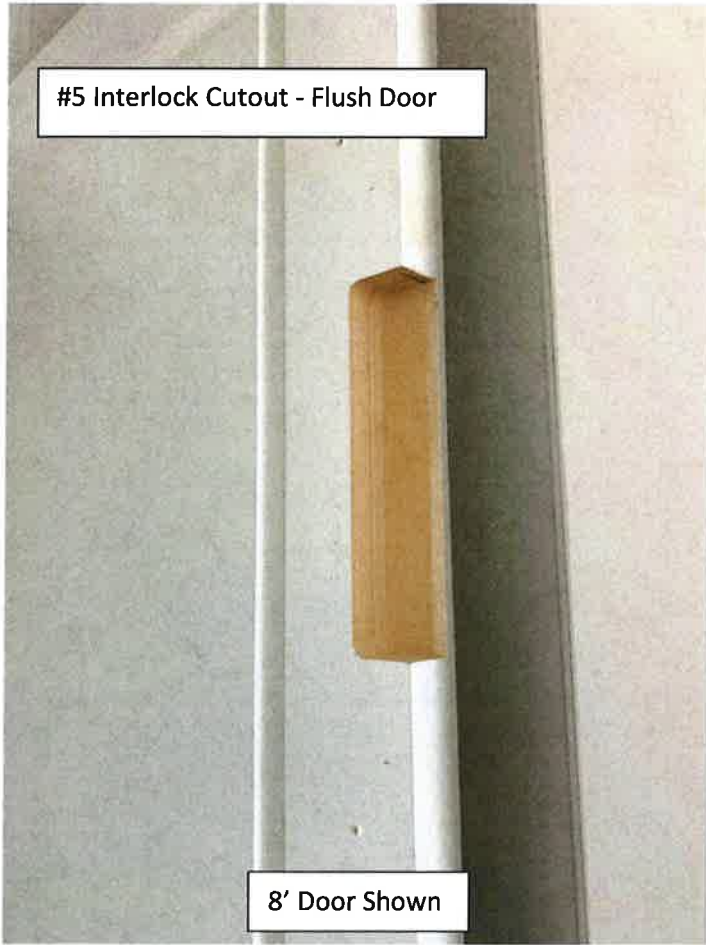
#3 Flush Door – Hinge Side



#4 Strike Side - Flush Door



#5 Interlock Cutout - Flush Door



8' Door Shown

#6 Steel Plate for 1 3/8" Flush Door

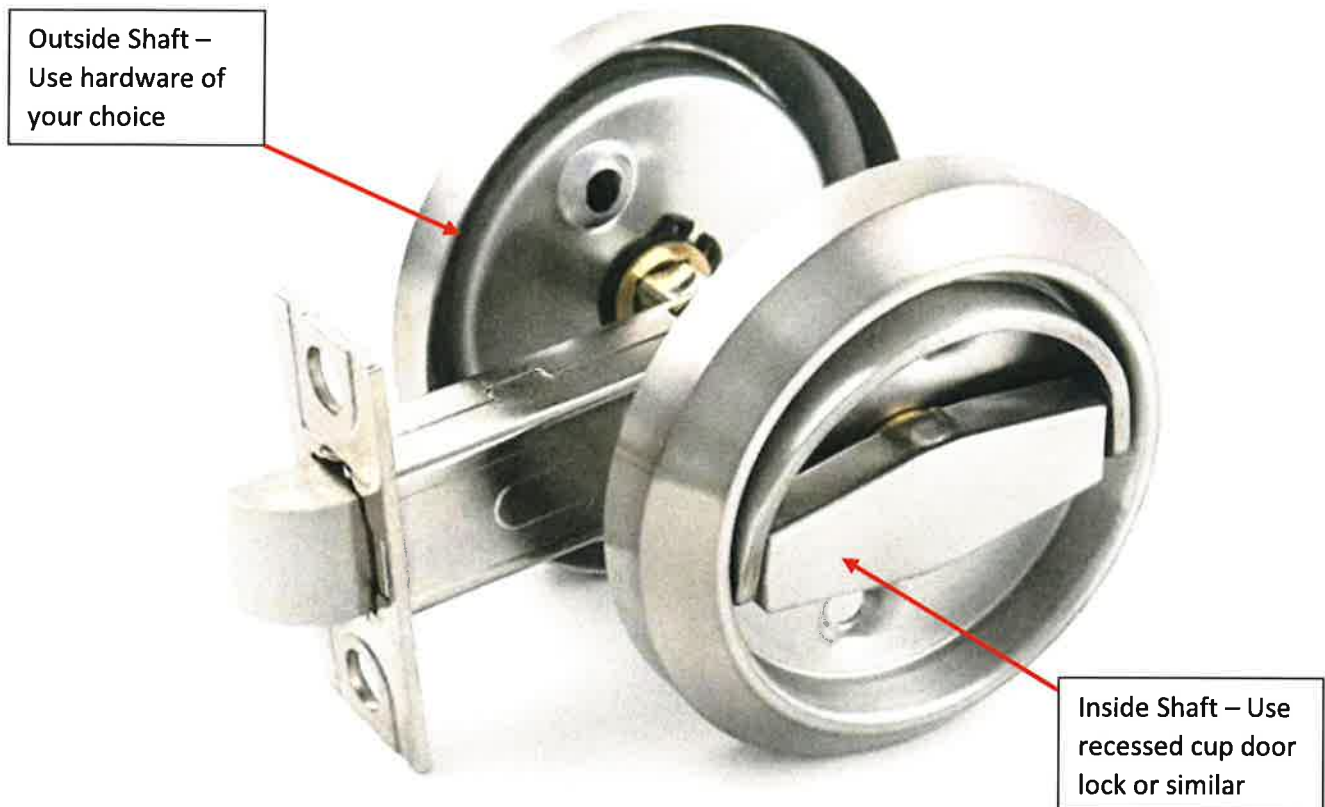


6'8" Door Shown

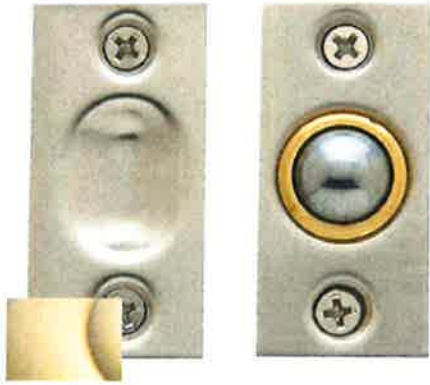
SECTION #7 – FLUSH DOOR HARDWARE OPTIONS

Any door hardware inside of shaft/hoistway must not exceed $\frac{3}{4}$ " in depth (face of door to outside point of door hardware).

Example of a traditional **passage latch option** (example only – many options available):



Examples of a **ball catch/roller latch options** from <https://www.baldwinhardware.com> (examples only – many options available):



ADJUSTABLE BALL CATCH

Model #: 0425.003

[Write a review](#) [Ask a question](#)

AVAILABLE FINISHES:

SELECTED: LIFETIME POLISHED BRASS



WHERE TO BUY

ADD TO WISH LIST



ADJUSTABLE ROLLER LATCH

Model #: 0440.003

[Write a review](#) [Ask a question](#)

AVAILABLE FINISHES:

SELECTED: LIFETIME POLISHED BRASS



WHERE TO BUY

ADD TO WISH LIST

Inside shaft:



FLUSH RING PULL

Model #: 0092.003

★★★★★ 5.0 (1) [Write a review](#) [Ask a question](#)

AVAILABLE FINISHES:

SELECTED: LIFETIME POLISHED BRASS



WHERE TO BUY

ADD TO WISH LIST



EDGE PULL

Model #: 0465.003

★★★★★ 5.0 (11) [Write a review](#) [Ask a question](#)

AVAILABLE FINISHES:

SELECTED: LIFETIME POLISHED BRASS



WHERE TO BUY

ADD TO WISH LIST

For the outside hardware, any style of dummy (attaches from outside) knob, lever, pull, etc. will work.