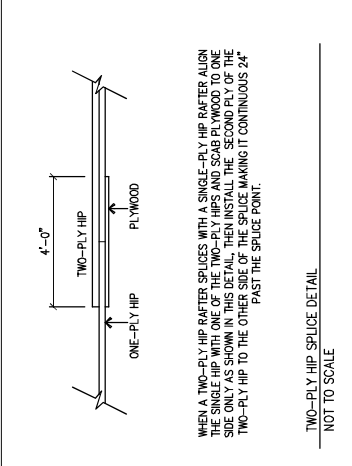
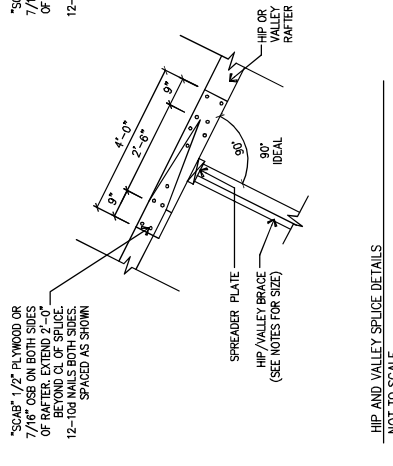


GENERAL NOTES:

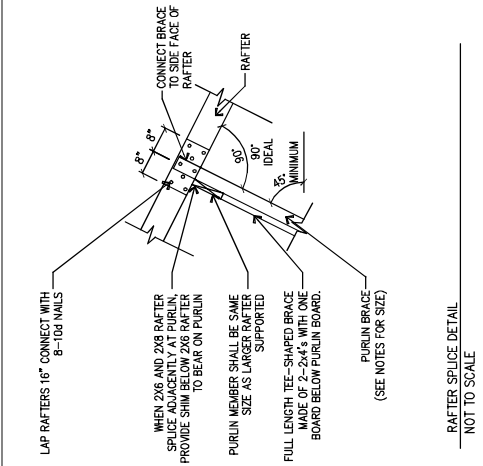
- ALL SILL PLATES SHALL BE ANCHORED TO THE FOUNDATION WITH 1/2" DIAMETER ANCHOR BOLTS SPACED AT A MAXIMUM 6'-0" WHERE ANCHORED BOLTS ARE NOT SUFFICIENTLY PRESENT POWER-ACTUATED PINS MAY BE USED. PINS SHALL BE A MINIMUM 3" LONG, 9/32" DIAMETER AND HAVE 3/4" DIAMETER WASHERS. PINS SHALL BE EMBEDDED SUFFICIENTLY IN CONCRETE TO PROVIDE FULL CONTACT OF WASHER ON SILL PLATE. PINS SHALL NOT BE SPACED MORE THAN 32" APART. THERE SHALL BE A MINIMUM OF TWO PINS PER EACH SILL PLATE WITH ONE PIN LOCATED WITHIN 6" OF EACH END OF EACH PIECE OF SILL PLATE.
- FIRE STOPPING SHALL CONFORM WITH THE I.R.C. SECTION R602.8.
- ROOF DECKING SHALL BE 7/16" ORIENTED STRAND BOARD (OSB), FASTENED TO DECKING JOISTS ON TOP OF A SILL BOARD. PROVIDE FLOOR CURBS ON HORIZONTAL EDGES MID-WAY BETWEEN EACH RAFTER. VERTICAL JOINTS SHALL BE SUPPORTED ON FRAMING MEMBERS. DECKING JOINTS SHALL BE STAGGERED.



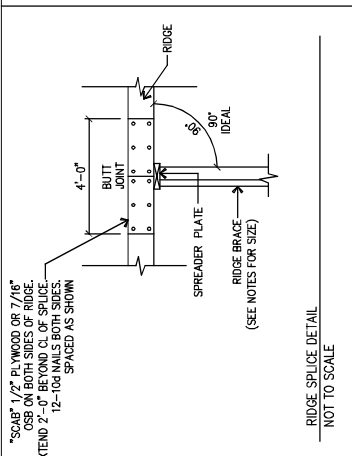
TWO-PLY HIP SPICE DETAIL
NOT TO SCALE



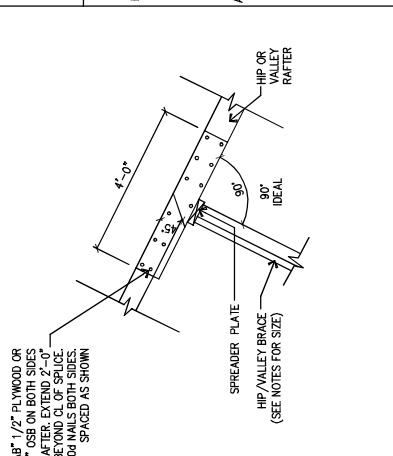
HIP AND VALLEY SPICE DETAILS
NOT TO SCALE



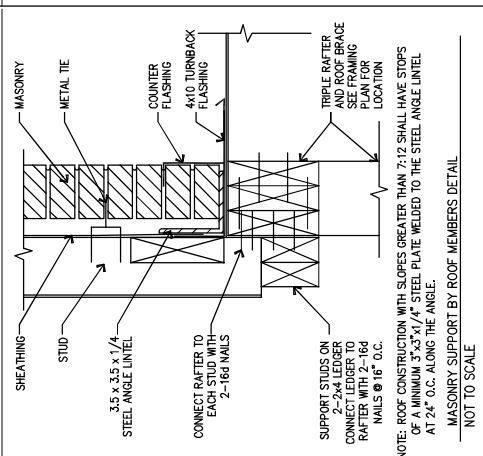
RAFTER SPICE DETAIL
NOT TO SCALE



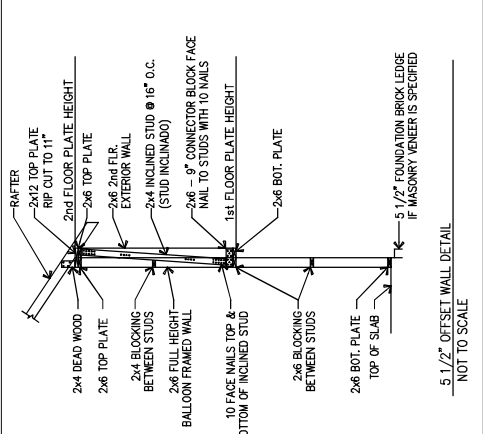
RIDGE SPICE DETAIL
NOT TO SCALE



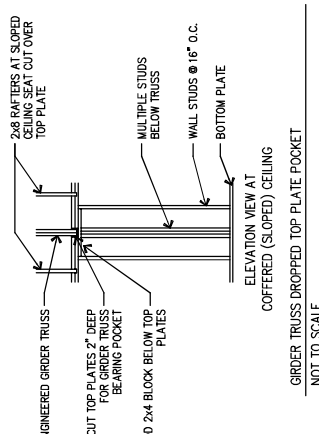
HIP OR VALLEY BRACE
(SEE NOTES FOR SIZE)



MASONRY SUPPORT BY ROOF MEMBERS DETAIL
NOT TO SCALE



5 1/2" OFFSET WALL DETAIL
NOT TO SCALE



GIRDER TRUSS DROPPED TOP PLATE POCKET
NOT TO SCALE


J. JOHNS
STRUCTURAL ENGINEERS
STRUCTURAL DESIGN AND INSPECTION
johns@sweg.com
77060 W. WALKER RD.
SOUTH WEST DESIGN GROUP, LLC
FREDERICKSBURG, TX 77834

This drawing shall remain the property of the home owner and shall be used exclusively by the home owner for the project identified on the drawing. It is the responsibility of the home owner to verify the accuracy of the address identified herein. The structural certification of this drawing will expire two years after the date of issuance. This drawing shall be used by any builder other than the home owner, or outside the geographic limits defined herein or for any other project without the written consent of the Engineer's seal and certification, and the responsibility for the structural design will be borne by those other than the Engineer.

THE SEAL APPEARING ON THIS DOCUMENT WAS AUTHORIZED BY JOHN D. JOHNS, P.E. 82219 ON 10/08/12

NO.	DATE	BY/REVISION:
1		(R/W/M) SS DISTRIBUTION

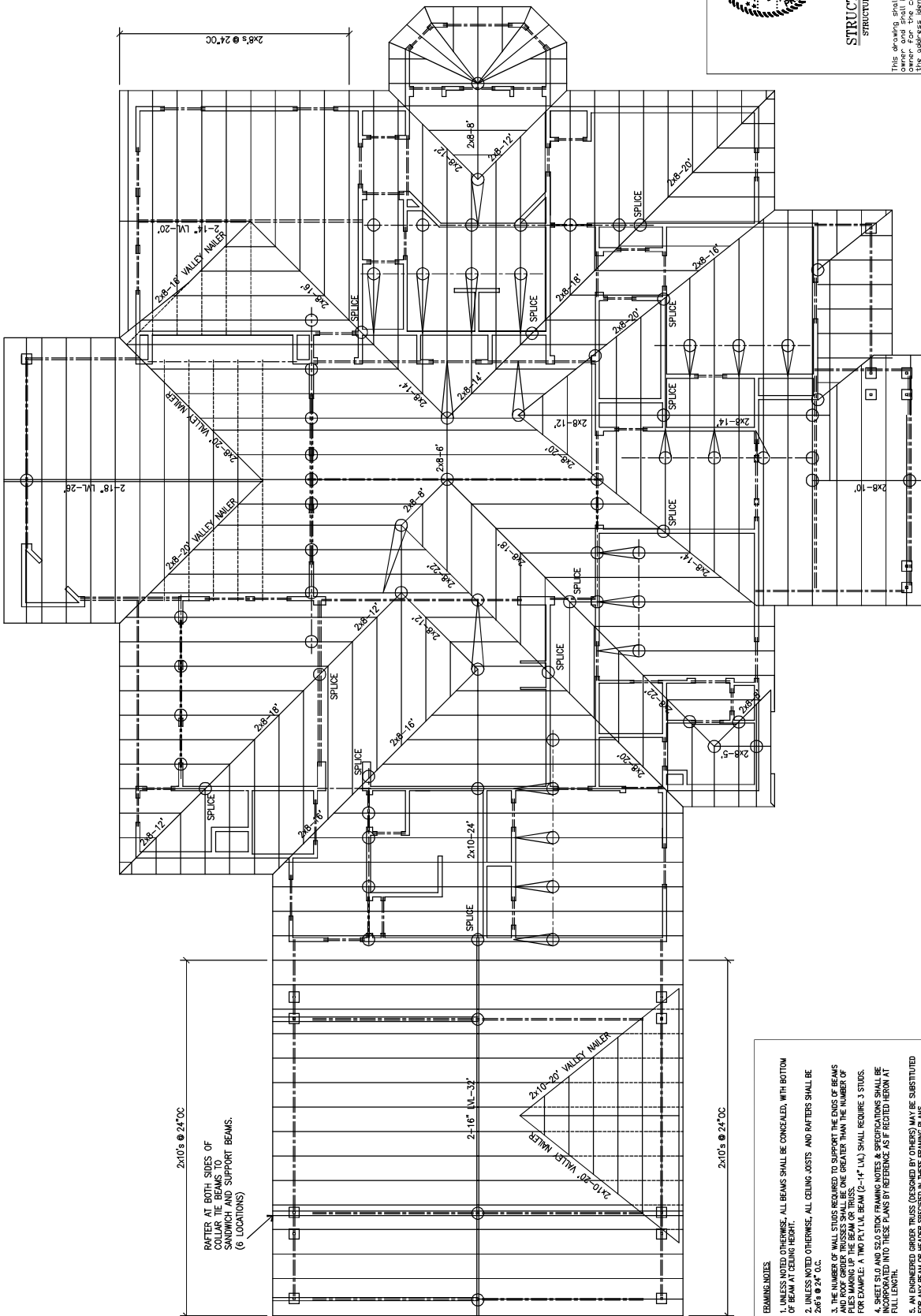
PLAN NUMBER	ROOF FRAMING PLAN
	DD NOT SCALE
	SHEET # 4 OF 5



J. JOHNS
 STRUCTURAL ENGINEERS
 STRUCTURAL DESIGN AND INSPECTION
 jjohns@swdesign.com
 (830) 461-1180

This drawing shall be the property of the home owner and shall be used exclusively by the home owner for the construction of the new home at the location shown on this drawing. No other use, reproduction, or distribution of this drawing without the written consent of the home owner is permitted. The home owner shall be responsible for obtaining all necessary permits and approvals from the appropriate authorities. The Engineer's seal and certification, and responsibility for the structural design will be borne by those other than the Engineer.

THE SEAL APPEARING ON THIS DOCUMENT WAS AUTHORIZED BY JOHN D. JOHNS, P.E. 82219 ON 10/08/12



- FRAMING NOTES**
- UNLESS NOTED OTHERWISE, ALL BEAMS SHALL BE CONCEALED, WITH BOTTOM OF BEAM AT CEILING HEIGHT.
 - UNLESS NOTED OTHERWISE, ALL CEILING JOISTS AND RAFTERS SHALL BE 2x8 @ 24" OC.
 - THE NUMBER OF WALL STUDS REQUIRED TO SUPPORT THE END OF BEAMS OR PILES MAKING UP THE BEAM OR TRUSS, IF GREATER THAN THE NUMBER OF PILES, SHALL BE 3 STUDS. FOR EXAMPLE: A TWO PLY LVL BEAM (2-14" LVL) SHALL REQUIRE 3 STUDS.
 - SHEET S1.0 AND S2.0 STICK FRAMING NOTES & SPECIFICATIONS SHALL BE INCORPORATED INTO THESE PLANS BY REFERENCE AS IF REPEATED HEREON AT FULL LENGTH.
 - AN ENGINEER GRIDER TRUSS (DESIGNED BY OTHERS) MAY BE SUBSTITUTED FOR ANY BEAM OR HEADER SPECIFIED IN THESE FRAMING PLANS.
 - ALIGN JOISTS TO ALLOW FOR PLUMBING AND MECHANICAL INSTALLATION.
 - ALL MEASUREMENTS SHALL BE VERIFIED IN THE FIELD BY THE FRAMING CONTRACTOR.
 - SEE FLOOR JOIST INSTALLATION SPECIFICATIONS SUPPLIED BY SUPPLIER FOR ADDITIONAL REQUIREMENTS.

ROOF FRAMING PLANS

NOTE: FRAMING DESIGN IS BASED UPON AN ASPHALT COMPOSITION SHINGLE ROOF COVERING. ENGINEER SHALL BE INFORMED PRIOR TO THE USE OF THESE PLANS IF A DIFFERENT ROOFING WILL BE USED.

ALL RAFTERS SHALL BE CONNECTED TO EXTERIOR WALL WITH SIMPSON H2.5 NAIL OR ENGINEER APPROVED EQUAL.

