

## LG COOKING

# LCG3011ST / LCG3611ST LCG3011BD / LCG3611BD

Gas Cooktop with SuperBoil™

SuperBoil™ 17,000 BTU burner

5 cooktop burners

Heavy duty Cast iron Grates

Sealed Gas Burner



## SUMMARY

No. of Burners 5

## COOKTOP FEATURES

Cooktop Burner Type Sealed Gas Burner

No. of Burners 5

Burner/BTU - Left Rear 9100 / 9100

Burner/BTU - Right Rear 5000

Burner/BTU - Left Front 9100 / 9100

Burner/BTU - Right Front 12000 / 9500

Center (Warming Zone) (BTU) 17000 / 11000

Burner Simmer / BTU - Left Rear 1600

Burner Simmer / BTU - Right Rear 1300

Burner Simmer / BTU - Left Front 1600

Burner Simmer / BTU - Right Front 2200

Center (Warming Zone) 2300

## CONTROL

Cooktop Control Type Knob

Display Indicators

Control Location Front-Center

## DIMENSIONS / CLEARANCES / WEIGHT (30" COOKTOP)

Product (W x H x D) 30" x 3 3/4" x 21 11/16"

Cut-out (W x H x D) 28 1/2" x - x 19 11/16"

Packing (W x H x D) 34 9/16" x 10 1/2" x 25 31/32"

Product Weight (lbs) 44

Shipping Weight (lbs) 54

## DIMENSIONS / CLEARANCES / WEIGHT (36" COOKTOP)

Product (W x H x D) 36" x 3 3/4" x 21 11/16"

Cut-out (W x H x D) 33 15/16" x - x 19 11/16"

Packing (W x H x D) 40" x 10 1/2" x 25 31/32"

Product Weight (lbs) 50

Shipping Weight (lbs) 62

## POWER/RATINGS

Amp at 240V 17.1A

kW at 120V 120V 60Hz / 0.3A

Requirements 120 / 240 VAC, 120 / 208 VAC

## APPEARANCE

All Available Colors Stainless Steel, Black Stainless Steel

Handle/Knobs Stainless Steel

Knobs Aluminum

## ACCESSORIES

Conversion Kit Yes

## LIMITED WARRANTY

Parts & Labor 1 Year

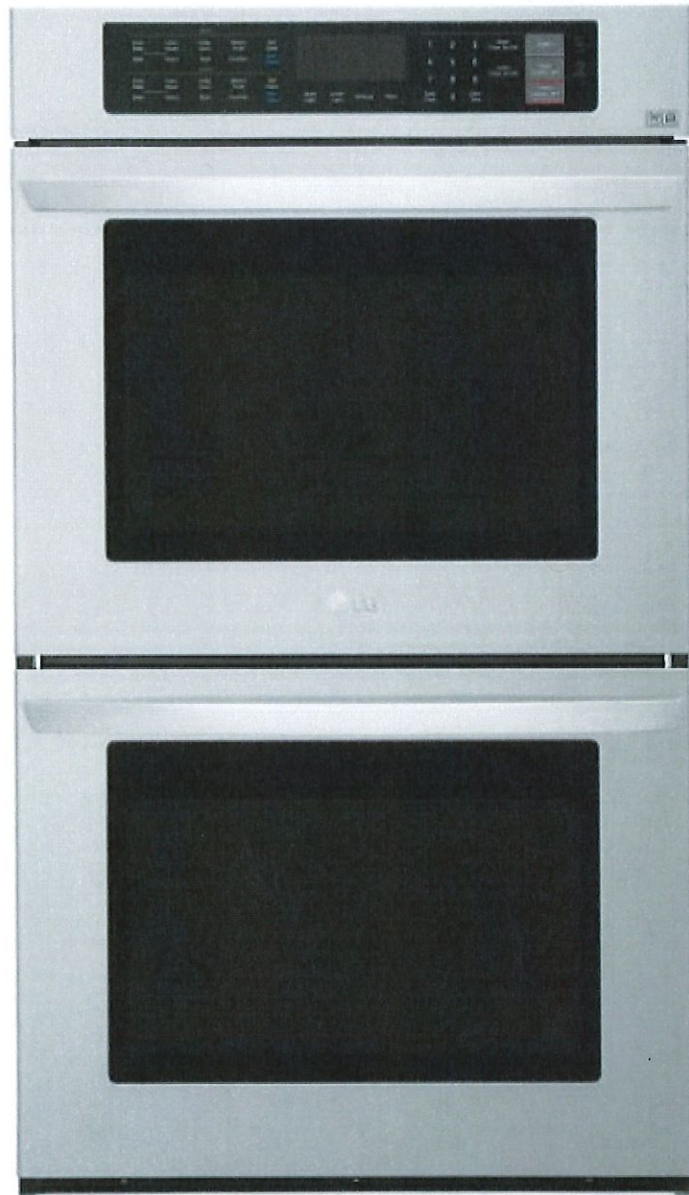
## UPC CODES

LCG3611ST 048231317290

LCG3011ST 048231317306

LCG3611BD 048231340526

LCG3011BD 048231340519



## DIMENSIONS/CLEARANCES/WEIGHT

Shipping Weight (lbs)	Approx. 137.6 kg (303bs)
Weight (Product)	Approx. 122.6 kg (270lbs)
Carton Dimensions (in) (W x H x D)	33" x 57" x 30"
Exterior (WxHxD)	29-3/4"(W) x 52-1/16"(H) x 24-3/8"(D)
Cutout	28- 5/8" x 51-15/16" x 23-1/2"

## SUMMARY

Double Oven	Yes
Self + EasyClean®	Yes
EasyClean®	Yes

## WARRANTY/UPC

UPC	048232336535
Parts & Labor	1 Year

## ACCESSORIES

Grid	1
Heavy Duty Rack	4
Spray Water Tank	1
Broiler pan	1

## UPPER OVEN FEATURES

Broil element pass	8
Bake element type	Hidden (8 pass)
Variable cleaning time	Yes (3,4,5 hrs)
Capacity (cu.ft)	4.7
Interior Color	Blue
Variable broil	Yes( Full,Center / High,Med,Low)
Variable warm	Yes (High,Med,Low)
12 hrs. shut-off	Yes
Convection conversion	Yes
-Convection element	Yes (2,000 watts Sheath heater)
Proof	Yes
Favorites menu	3 (1. Bread,2. Meat,3. Chicken)
Cleaning	EasyClean® / Self-Clean (3,4,5 hours)
Broil element	2,500 watts inner / 1,500 watts outer
Bake element	2,500 watts
# of rack position	5

## LOWER OVEN FEATURES

-Convection element	Yes (2,000 watts Sheath heater)
---------------------	---------------------------------



Cleaning EasyClean® / Self-Clean (3,4,5 hours)

Variable cleaning time Yes (3,4,5 hrs)

Broil element pass 8

Capacity (cu.ft) 4.7

Interior Color Blue

Variable broil Yes( Full,Center / High,Med,Low)

Variable warm Yes (High,Med,Low)

Bake element 2,500 watts

Bake element type Hidden (8 pass)

12 hrs. shut-off Yes

Proof Yes

Color & Material STS Finish(Al) / Black Stainless

Broil element 2,500 watts inner / 1,500 watts outer

# of rack position 5

Convection Conversion Yes

## POWER/RATINGS

Rating 8.2KW

Electrical Supply 120/240 VAC,120/208 VAC

Max. Amp Load 34.2A

## THINQ® SMART FEATURES

ThinQ® Technology with Proactive Customer Care Yes

---

**LG COOKING**

# LMC2075\_

## NeoChef Countertop Microwave Oven

KEY FEATURES

**2.0 cu.ft. Oven Capacity**
**Smart Inverter**
**EasyClean® Interior**
**SmoothTouch™ Glass Touch**
**Hexagonal Stable Ring**
**LED Interior Light**
**10 Year Warranty on Magnetron**
**Available in Black Stainless Steel, Stainless Steel, Smooth White and Smooth Black**


PRODUCT FEATURES

CAPACITY	
Cavity Size	2.0 cu. ft.
FEATURES	
Watts	1,200 Output / 1,350 Microwave
Turntable Diameter	16"
Display	SmoothTouch™ Glass Touch
Lighting	White LED
COOKING FEATURES	
Power Levels	10
Sensor Cooking Options	7 (Potato, Fresh Vegetable, Frozen Vegetable, Frozen Entrée, Bacon, Rice, Soften Butter)
Sensor Reheat Options	5 (Beverage, Casserole, Pizza, Dinner Plate, Pie)
Defrost Options	4 (Meat, Poultry, Fish, Bread)
Quick Start	Yes
CONVENIENCE FEATURES	
EasyClean® Interior	Yes
Clock	Yes
Completion Beeper	Yes
Energy Saving Button	Yes (turns off LED display)
SAFETY FEATURES	
Child Lock	Yes
MATERIALS/FINISHES	
Available Colors	Black Stainless Steel (BD), Stainless Steel (ST), Smooth White (SW), Smooth Black (SB)
Cavity Material	Metal
Cavity Coating	EasyClean® Enamel (Gray Interior)

POWER/RATINGS	
Input Volt/Hz	120/60
Input Amps/Watts (Microwave)	14A/1600W
DIMENSIONS	
Cavity (WxHxD)	16 11/16" x 11 1/4" x 18 1/16"
Exterior (WxHxD)	23 7/8" x 13 9/16" x 19 5/16"
Net Weight	36.4 lbs.
Shipping Weight	40.7 lbs
Shipping Dimensions (WxHxD)	27 3/4" x 15 2/5" x 21 1/4"
LIMITED WARRANTY	
	1 Year Parts and Labor (In Home Service) 10 Years Limited on Magnetron (In Home Service)
UPC CODES	
LMC2075BD (Black Stainless Steel)	048231337181
LMC2075ST (Stainless Steel)	048231337198
LMC2075SW (Smooth White)	048231337204
LMC2075SB (Smooth Black)	048231337105



LMC2075SB



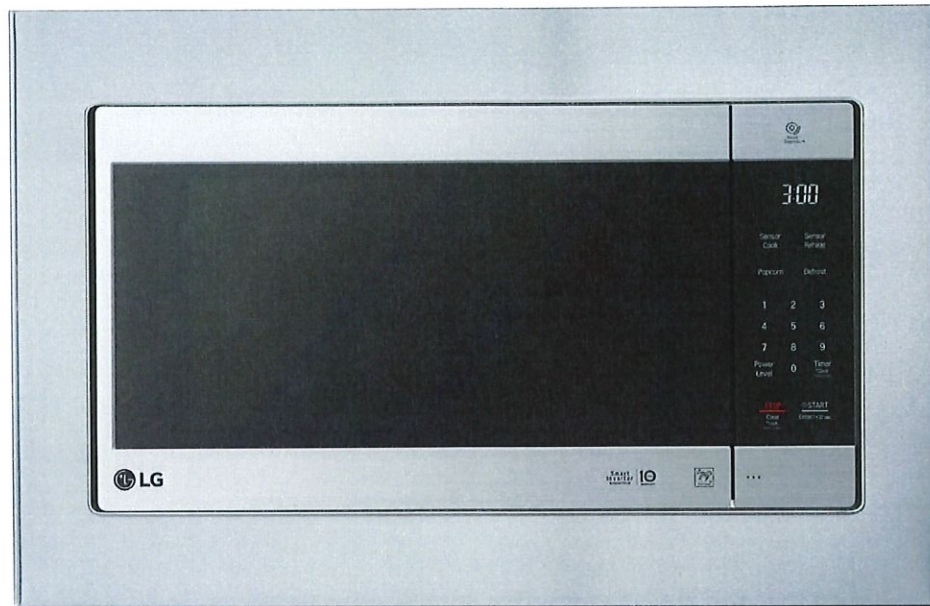
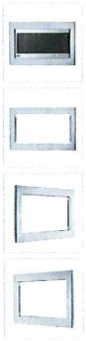
LMC2075SW



LMC2075ST



LMC2075BD



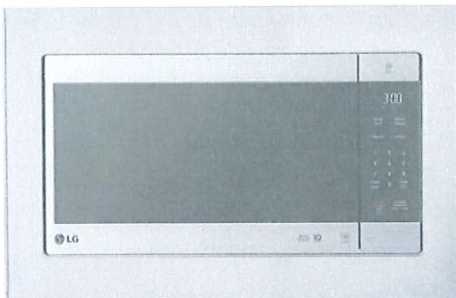
OVERVIEW

SPECS

REVIEWS

SUPPORT

WHERE TO BUY



## Premium Built-in Look for your Microwave

Available in both Classic Stainless Steel and Elegant Black Stainless Steel.



## WARRANTY & UPC

Limited Warranty	1 Year Parts & Labor
------------------	----------------------

UPC	048231339971
-----	--------------

Parts & Labor	1 Year
---------------	--------

## DIMENSIONS & WEIGHT

Cavity (W x H x D)	24 39/64" X 12 61/64" X 1 3/32"
--------------------	---------------------------------

Exterior (W x H x D)	29 23/32" X 19 1/16" X 1 3/32"
----------------------	--------------------------------

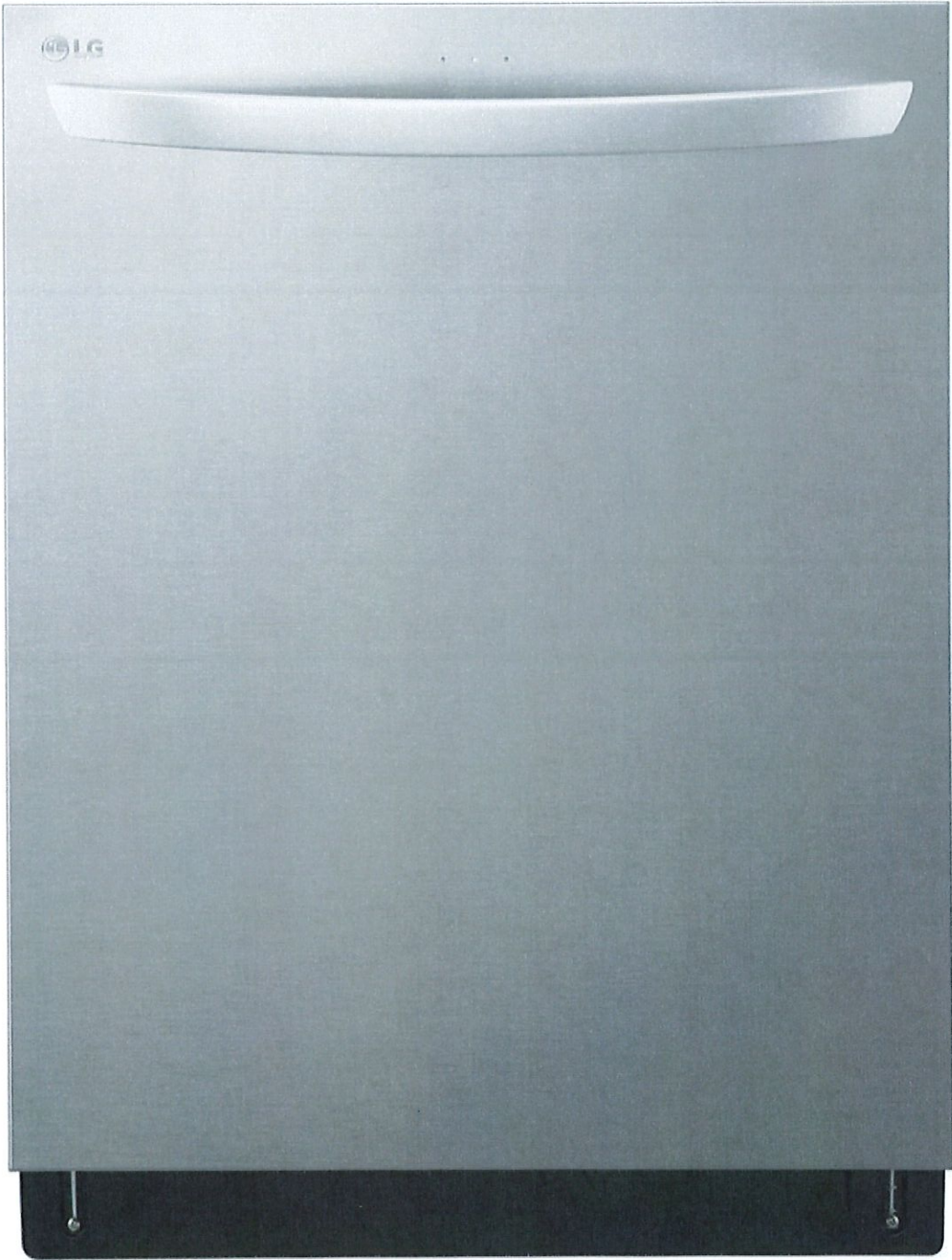
Cutout (W x H x D)	25 1/2" X 16 3/4" X 19 1/2"
--------------------	-----------------------------

Shipping Dimensions (W x H x D)	31 57/64" X 20 55/64" X 5 45/64"
---------------------------------	----------------------------------

## FEATURES

All Available Colors	Black Stainless Steel, Stainless Steel
----------------------	--





## SUMMARY

Series	LG
Color	PrintProof™ Stainless Steel
Control Panel Location	Front Control
QuadWash®	Yes

## CAPACITY

Total Place Settings	15
Upper Rack Dish Height Limit	7.1"
Lower Rack Dish Height Limit	12.5"

## RACKS AND BASKETS

Cutlery Baskets	Yes
Cup Rack	Yes
Fold Down Tines	Yes (Half Fold on Upper & Half Fold on Lower)
BPA-Free Nylon Coated Racks and Tines	Yes
Rack Handle	Yes (Upper)
EasyRack™ Plus System	Yes
Height Adjustable Upper Rack	Yes
3rd Rack (Fixed)	Yes



## STYLE AND DESIGN

Control Panel Location	Top Control
Electronic Controls	Fully Integrated Control Panel
Tub Material	NeveRust™ Stainless Steel
Handle	Bar Handle
All Available Colors	Stainless Steel, PrintProof™ Black Stainless Steel, PrintProof™ Stainless Steel
Fingerprint Resistant	Yes

## FEATURES

QuadWash®	Yes
Inverter Direct Drive Motor	Yes
LoDecibel™ Quiet Operation	46 dBA
Number of Wash Cycles	9 (Auto, Heavy, Delicate, Normal, Turbo, Download Cycle, Machine Clean, Rinse, Express)
Number of Options	8 (Dual Zone, Half Load, Energy Saver, High Temp, Extra Dry, Delay Start, Control Lock, Night Dry)
Number of Spray Arms	3 (Top, Upper, Lower)
SenseClean™ Wash System	Yes
Vario Wash	Yes
Detergent and Rinse-Aid Dispenser	Yes
Hybrid Condensing Drying System	Yes

End of Cycle Indicator Yes (Beeper + END indication on display)

Hidden Water Heater Yes

Safety Float Switch (Leaks) Yes

Soil (Turbidity) Sensor Yes

Tub Insulation (Damping Sheet, Sound Absorbing Material (felt), Base) Yes

BPA-Free Nylon Coated Racks and Tines Yes

Anti-Bacterial Treatment (Sump, Inner / Outer filter, Drain pump case, Drain hose) Yes

Balanced Door Yes

3-Stage Filtration System Yes

## THINQ® SMART FEATURES

Wi-Fi Enabled Yes

Works with Google Assistant and Amazon Alexa

SmartDiagnosis™ Yes

## POWER RATINGS

ENERGY STAR® Qualified Yes

CEE Tier 1

Energy Use (kWh/Year) 258 kWh/Year

Water Factor (WF) 2.8

## DIMENSIONS/CLEARANCES/WEIGHT

Product Dimensions (in) (W x H x D) 23 3/4" x 33 5/8" x 24 5/8"

Product Weight (lbs) 79.6 lbs

Depth with Door Closed with Handle (in) 26 13/16"

Depth with Door Open (in) 49 1/4"

Carton Dimensions (in) (W x H x D) 28" x 34 3/4" x 29 5/8"

Shipping Weight with Carton (lbs) 91.7 lbs

## WARRANTY

Labor 1 Year

Parts 1 Year

Control Board and Rack Parts 5 Years

Direct Drive Motor 10 Years

Stainless Steel Door Liner or Tub Lifetime

## UPC CODES

UPC 048231341301



# INCA HC

## INSERT RANGE HOOD



AN UPDATED VERSION OF THE CLASSIC FABER INSERT HOOD. The updated Inca HC by Faber now with VAM Technology; features new advanced electronic controls, an optional remote control and LED lights. The new Inca HC has stainless covered mesh dishwasher safe grease filters and has the ability to vent up or to the back to minimize duct work and maximize power.

Now with  
**Variable Air Management**  
adjust CFM for  
your local codes



### AVAILABLE MODELS

Model #	Size / Color	Set your CFM Level	Sound Levels (sones)
INHC29SSV	29 Stainless	600, 395, 295 CFM	2.8 - 7.5 sones
INHC35SSV	35 Stainless	600, 395, 295 CFM	2.8 - 7.5 sones

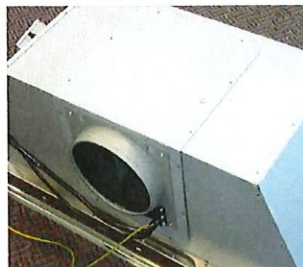
Note: set to 600 CFM motor class out of the box

### KEY FEATURES



#### Backlit Electronic Controls

Backlit electronic controls with a White LED light to indicate the current speed and LED lighting. Now you can adjust CFM's at installation from the control buttons.



#### Direct Rear Venting

Vent the ducting up or rotate the blower to the back (as shown above) to avoid extra duct work when on an outside wall



#### Remote Control (optional)

Control all features of the hood from the convenience of a ADA compliant wireless remote control (sold separately)



#### Easy Snap Mounting Clips

Installation with easy built-in adjustable clips that tighten onto the sides of the cabinet floor



# INCA HC

## INSERT RANGE HOOD

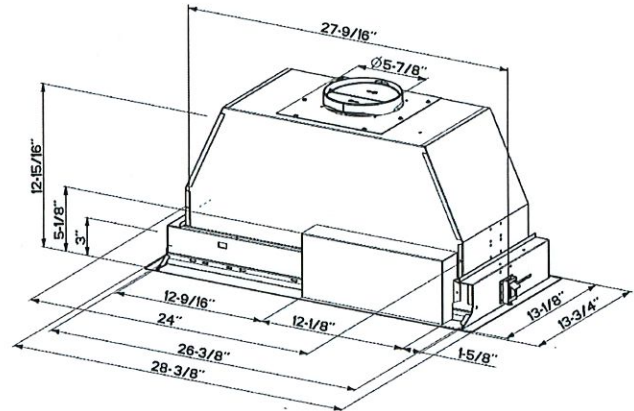


### SPECIFICATIONS

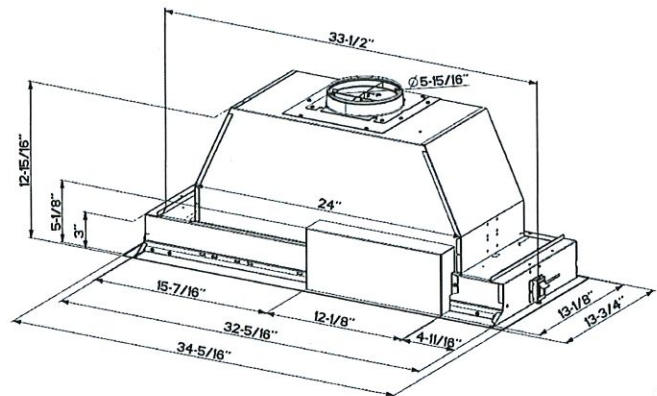
cut out dimensions 29"	27 5/8" w x 13 9/16" d
cut out dimensions 35"	33 3/4" w x 13 9/16" d
convertible to ductless / recirculating	yes - FILTER1 or FILTERILL
body width   depth	28 3/8" OR 34 5/16" w X 13 3/4" d
height inside cabinet	12 15/16" high
<b>Variable Air Management</b>	<b>Yes (set to 295, 395, 600 CFM)</b>
controls	4 speed electronic w/ white LED
lighting	2 X 5 W LED
ducting top/rear (Vari-Duct)	6" round
built In mounting	yes - Easy Snap Clips
grease filters	dishwasher safe stainless mesh
10 minute intensive speed	yes
15 minute auto shut off	yes
ADA compliant	yes - with optional remote
power cord included	yes

### DIMENSIONS

#### 29" Dimensions



#### 35" Dimensions



### PERFORMANCE

	SPEED	1	2	3	BOOST
CFM		150	295	395	560
Sones		2.8	4.3	6.0	7.5

### ACCESSORIES

#### # FILTER1 - Charcoal Filter Kit

High quality charcoal filter for use when recirculating the air back into the kitchen. Filters out odor and should be replaced every 6 months

#### # FILTERILL2 - Long Lasting Charcoal Filter Kit

New washable charcoal filter can be recharged and washed up to 8 times. For use when recirculating the air back into the kitchen. Filters out odor and can last up to 4 years.

#### # REMORIG - Remote Control

Control all features of the hood from the convenience of a ADA compliant wireless remote control.

#### # LINE30ST / LINE36ST - Stainless Steel Liner 30 & 36" (FOR 29" HOOD ONLY)

See page 3 for more information

#### # LINE36PT (NEW) - Stainless Steel Liner 36" (FOR 35" HOOD ONLY)

See page 3 for more information

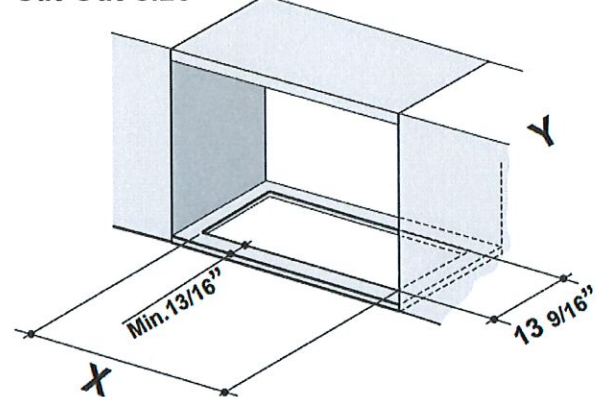
#### # MUDAMPER6 / MUDAMPER8 - Universal Make-Up Air Damper

Satisfies make-up air requirements, this kit uses an air switch to activate the make-up air damper to open and bring fresh air into the home when the hood fan is on. It then closes tightly when the hood is off. The CFM level is not reduced with this accessory.

#### # WIREBOX - Fixed Wiring Box

Replace the power cord with a hard wired box to power the range hood

#### Cut Out Size



Hood	29"	35"
X	27 5/8"	33 3/4"
Y	13 9/16"	13 9/16"



WARNING! Product specifications are subject to change without notification. Consult the installation instructions before you begin installing this range hood



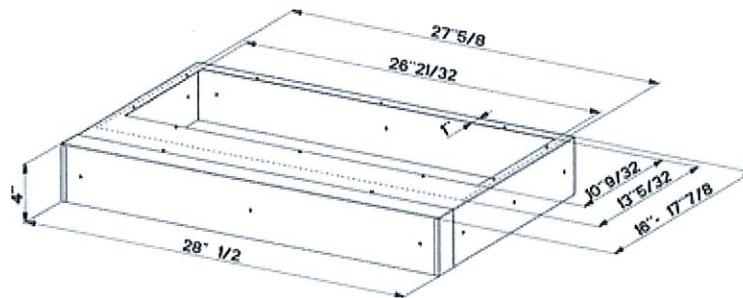
# INCA HC INSERT RANGE HOOD



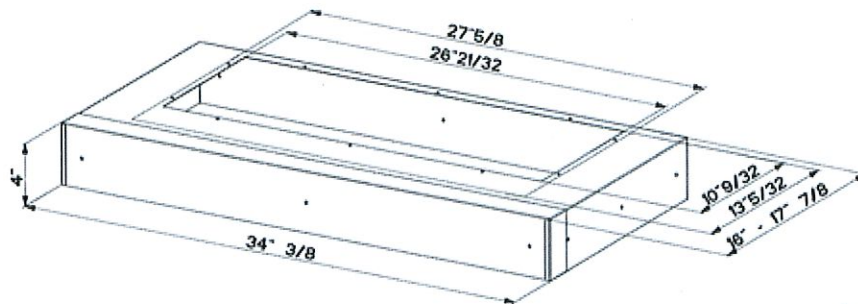
## LINER SPECIFICATIONS

Liners are stainless steel kits that are optional for cabinet insert hoods. They create a metal 4" tall perimeter to "line" the wood below the range hood with metal. They create a more finished look and move the range hood up 4" creating additional capture area. In some cases, a liner may be required by local code if the cabinet starts at below 30" off the stove (check local building codes). All liners are adjustable in depth with a telescoping frame.

### LINE30ST - USE WITH INHC29SSV ONLY FOR 30" WIDE CABINETS



### LINE36ST - USE WITH INHC29SSV ONLY FOR 36" WIDE CABINETS



### LINE36PT - USE WITH INHC35SSV ONLY FOR 36" WIDE CABINETS

