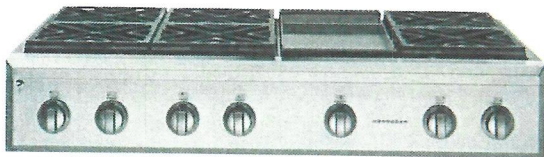


MONOGRAM 48" PROFESSIONAL GAS RANGETOP WITH 6 BURNERS AND GRIDDLE (NATURAL GAS)

ZGU486NDPSS



AUTHENTIC PROFESSIONAL APPEARANCE

Stainless steel with smoothly finished edges and large electronic control knobs

SEALED, DUAL-FLAME STACKED BURNERS

Deliver a full spectrum of heat settings, from an ultra-low 140° F simmer to an intense 18,000 BTU

STAINLESS STEEL AND ALUMINUM-CLAD GRIDDLE

Offers 18,000 BTUs* of cooking power, allowing fast and consistent heating across the entire cooking surface

ELECTRONIC IGNITION WITH AUTOMATIC REIGNITION

Ensures a continuous flame and reignites automatically if accidentally extinguished

REVERSIBLE BURNER GRATES

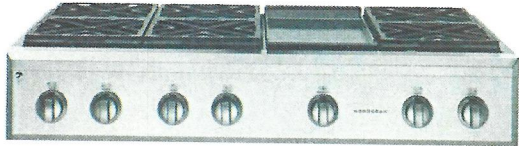
Flat on one side and uniquely contoured on the other to accommodate round-bottom woks

STAINLESS STEEL GRIDDLE COVER

Included with the range

*Natural Gas

For questions about your
appliance, please call 1-800-626-2000



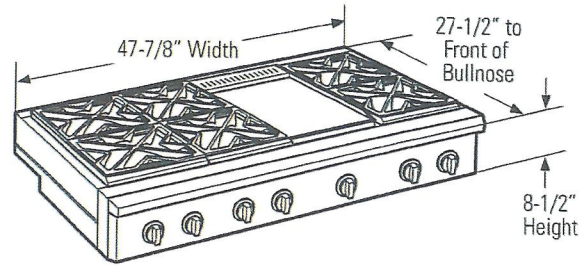
SPECIFICATIONS

Overall Width	47 7/8" (121.6 cm)
Overall Depth	27 1/2" (69.8 cm)
Overall Height	8 1/2" (21.6 cm)
Volts/Hertz/Amps	120v, 60Hz, 15A
Net Weight	171 lbs (77.5 kg)*
Approx. Shipping Weight	227 lbs (103 kg)

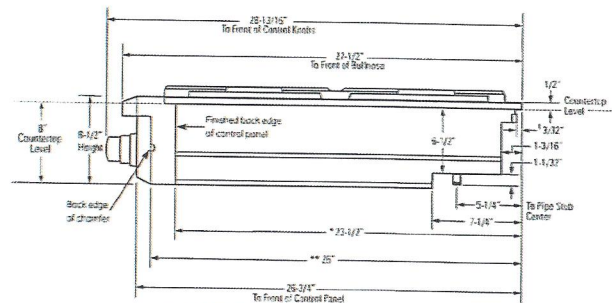
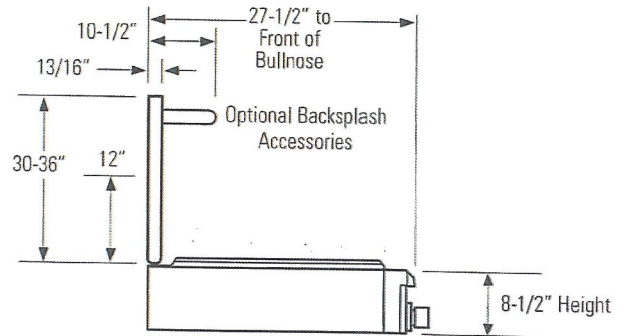
ATTENTION ELECTRICIAN:

Rangetops must be supplied with 120V, 60Hz, and connected to an individual, properly grounded branch circuit protected by a 15 amp circuit breaker or time-delay fuse.

OVERALL DIMENSIONS



SIDE VIEW WITH A BACKSPLASH



* Minimum cabinet outlet depth from the back of the rear trim to the back finished back edge of the control panel - typically the minimum cabinet depth front to back. ** Maximum cabinet outlet depth is 26" minus the countertop overhang.

** Maximum countertop outlet depth from the back of the rear trim to the back edge of drawer at the sides of the control panel - typically the maximum countertop outlet depth front to back. Minimum countertop outlet depth is 25-1/4"

Dimensions in parentheses are in centimeters unless otherwise noted. Actual product dimensions may vary due to manufacturing tolerances.

FEATURES AND BENEFITS

1090 CFM VERTICAL EXHAUST
WITH DUAL BLOWERS

3 HALOGEN LAMPS WITH 4 LIGHTING LEVELS

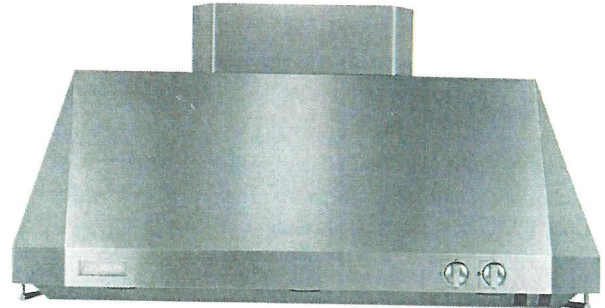
INFRARED WARMING LAMP

UTENSIL RACKS

REMOVABLE GREASE TRAYS

DISHWASHER-SAFE REMOVABLE BAFFLE
STAINLESS STEEL FILTERS

VARIABLE SPEED FAN CONTROL



ELEVATE EVERYTHING™

MONOGRAM

DIMENSIONS AND INSTALLATION INFORMATION
(IN INCHES)

INSTALLATION CLEARANCES

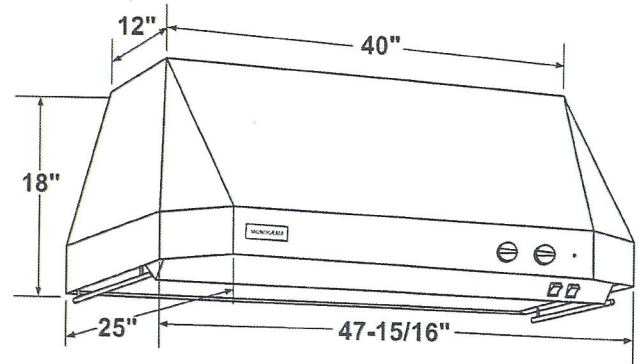
These vent hoods are designed to be installed onto a wall or beneath a soffit or cabinet.

- Install these hoods* 30" Min. to 36" Max. above the cooking surface.

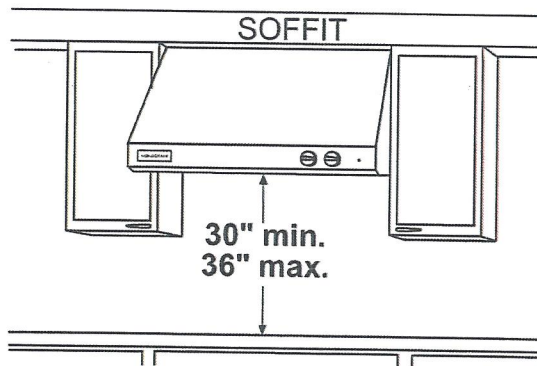
**These hoods may be installed 24" min. above a gas or electric drop-in style cooktop. Always observe the 30" to 36" clearance when installed over any professional style cooktop or range.*

NOTE

Clearances may vary due to type of cooking product and local codes. Check with local inspectors to be sure standard is applicable.

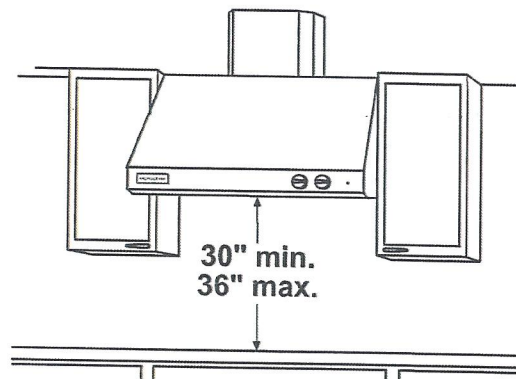


SOFFIT INSTALLATION



In this installation the ductwork running from the top of the hood will be concealed in the soffit or upper cabinetry.

WALL MOUNT INSTALLATION

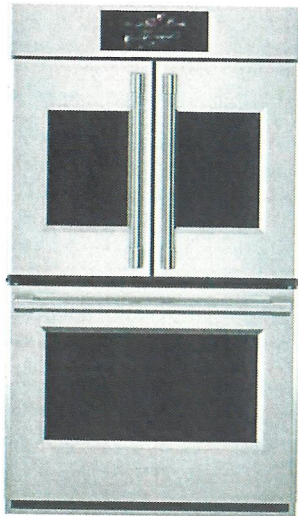


For this installation, a decorative duct cover is available to conceal the ductwork running from the top of the hood. Use of the duct cover requires special consideration to the installation height above the countertop.

ELEVATE EVERYTHING™



MONOGRAM 30" BUILT-IN FRENCH-DOOR DOUBLE OVEN ZTDX1FPSNSS



THE MONOGRAM STATEMENT COLLECTION

Edge-to-edge handles, polished stainless steel, and hand-finished edges convey a sense of solidity and beauty

FRENCH-DOOR DESIGN

Inspired by commercial kitchen designs, the precision engineered chain-drive mechanism allows for one-hand opening of both doors at the same time

LCD CONTROLS

Allow you to adjust oven settings with little effort

WIFI CONNECT

Perfectly in sync with a busy lifestyle, Alexa or Google Home can be used to control an array of oven functions from both inside and outside the home

NO-PREHEAT AIR FRY

A must-have for health-conscious cooks, the No-Preheat Air Fry mode crisps food to crunchy perfection, without using oils or butter

VOICE CONTROL

Once programmed, you can use your voice to preheat the oven and more, all without raising a finger

PRECISION COOKING MODES

Master new recipes and perfectly execute favorite dishes using this ultra-smart system that automatically tracks cooking progress, modifies temperatures and adjusts cook times

SCAN TO COOK

Innovative and time saving, scan-to-cook technology ensures that packaged foods are always prepared correctly. A simple scan of the barcode with a smartphone delivers consistently, delicious result

TWIN CONVECTION WITH DIRECT AIR

Achieve beautifully cooked and delicious meals every time with this expertly designed, third heating element and fan combination

SOFT-CLOSE DOORS

An expertly engineered hinge ensures that the oven door closes quietly and smoothly, every time

10.0 CUBIC FOOT OVEN CAPACITY (5.0 EACH OVEN)

Easily accommodates even the largest meals

EXCLUSIVE SELF-CLEAN, (4 FULL-EXTENSION, 2 REGULAR) OVEN RACKS

Glide in and out smoothly on stainless steel ball bearings, and are designed to be left in the oven during the self-clean cycle

TEN-PASS BAKE ELEMENT

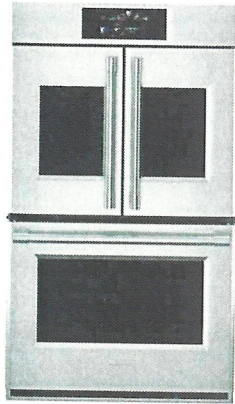
Covers more surface area for more even baking results

TEN-PASS DUAL BROIL ELEMENT

Evenly browns dishes of all types and sizes

SELF-CLEAN WITH STEAM CLEAN OPTION

Gives you flexible options for thorough oven cleaning



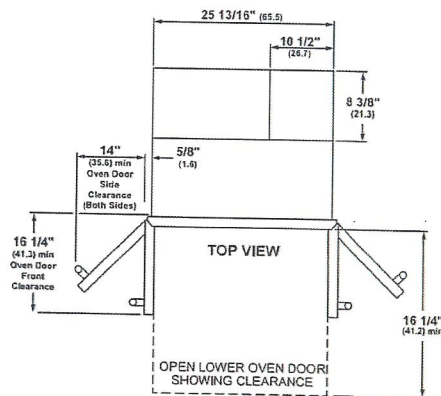
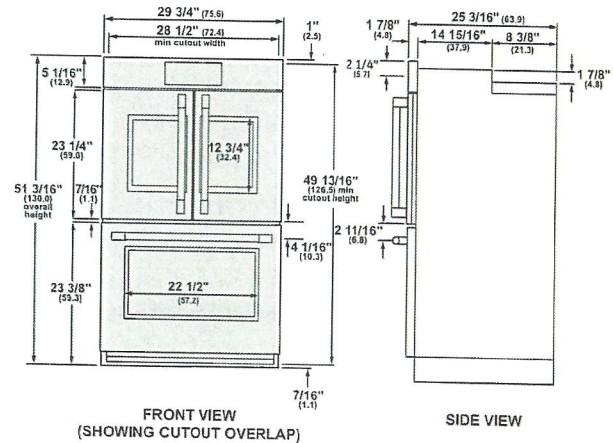
SPECIFICATIONS

Overall Width	29 3/4" (75.6 cm)
Overall Height	51 3/16" (130.0cm)
Overall Depth Including Handle	27 13/16" (70.6 cm) Upper oven 27 1/2" (69.9 cm) Lower oven
Oven Door Clearance	16 1/4" (41.3 cm) Upper oven 20 9/16" (52.3 cm) Upper oven
Overall Oven Interior Capacity	10.0 cu. ft. (283.2 liters)
Oven Interior Dimensions (W x H x D)	25" x 17 3/8" x 20 1/4" (63.5 cm x 44.1 cm x 51.4 cm)
Minimum Cabinet Width	30" (76.2 cm)
Minimum Cabinet Depth	24" (61.0 cm)
Minimum Base Support	400 lbs (181 kg)
Cutout Width	28 1/2" (72.4 cm) Min 28 5/8" (72.7 cm) Max
Cutout Height	49 13/16" (126.5 cm) Min 51 15/16" (131.9 cm) Max
Cutout Depth	23 1/2" (59.7 cm) Min
Volts/Hertz/Amps	240/208 V AC, 60 Hz, 40A
Conduit Length	48" (72" available special order: WB10T10398)
Electrical Rating	6.8 kW at 208V 9.0 kW at 240V
Shipping Weight	390 lbs (178 kg)

ATTENTION ELECTRICIAN:

A 240/208V, 60Hz, 40 Amp circuit is required. An individual properly grounded branch circuit or circuit breaker is required. Hardware junction box is required for built-in product.

OVERALL DIMENSIONS



Dimensions in parentheses are in centimeters unless otherwise noted. Actual product dimensions may vary due to manufacturing tolerances.

MONOGRAM 30" BUILT-IN ADVANTIUM® 240

ZSB9232NSS



THE MONOGRAM STATEMENT COLLECTION

Edge-to-edge handles, polished stainless steel and hand finished edges convey a sense of solidity and beauty

5-IN-1-OVEN

Experience exceptional flexibility and cooking results with this innovative five-in-one oven. Advantium® Technology enhanced, it can be used as a convection oven, toaster oven, warming/proofing oven, precision cook oven, and microwave

PRECISION COOKING MODES

Master new recipes and perfectly execute favorite dishes using this ultra-smart system that automatically tracks cooking progress, modifies temperatures and adjusts cook times

POWERFUL PERFORMANCE

Oven-quality foods cook up to eight times faster than a conventional oven, with no preheating required

SOPHISTICATED STYLING

Elegant design and clean lines offer a stylish, modern look that complements the rest of the Monogram kitchen

SPACIOUS INTERIOR

Generous, 1.7-cu.-ft oven space with a large 16" turntable allows for full rotation of a 9" x 13" casserole dish; plus the removable oven rack offers the convenience of multi-level cooking

PREPROGRAMMED RECIPES

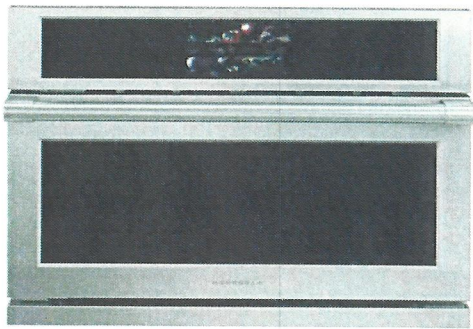
Provide quick and easy programming of over 175 pre-set food selections and allows programming of up to 30 custom recipes

INSTALLATION FLEXIBILITY

Ovens can be installed in 30" wall cabinet

LCD CONTROLS

Allow you to adjust oven settings with little effort



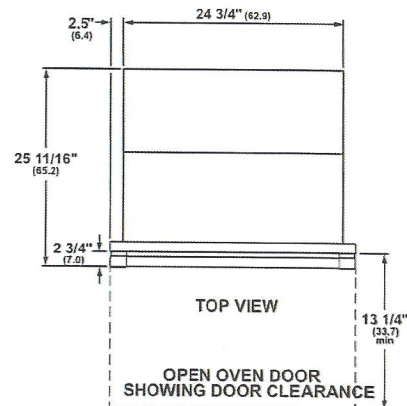
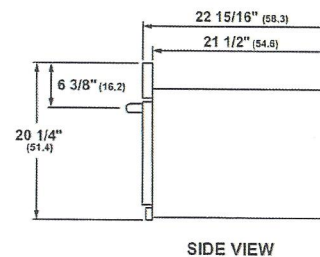
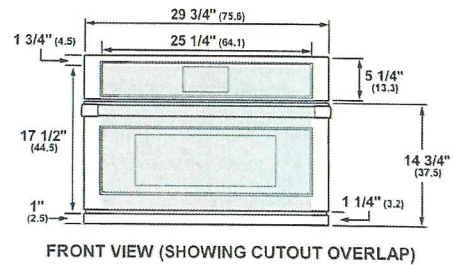
SPECIFICATIONS

Overall Width	29 3/4" (75.6 cm)
Overall Height	20 1/4" (51.4 cm)
Overall Depth (includes control panel thickness)	22 15/16" (58.3 cm)
Oven Door Clearance	13" (33.0 cm)
Overall Oven Interior Capacity	1.7 cu. ft.
Oven Interior Dimensions (W x H x D)	20 1/16" x 8 1/2" x 17" (51 cm x 21.6 cm x 43.2 cm)
Minimum Cabinet Width	30" (76.2 cm)
Minimum Cabinet Depth	23 1/2" (59.7 cm)
Minimum Base Support	130 lbs (59 kg)
Cutout Width	25 1/4" (64.1 cm)
Cutout Height	17 1/2" (44.5 cm)
Cutout Depth	23 1/2" (59.7 cm) Min
Voltz/Hertz/Amps	240/208V AC, 60 Hz, 30A
Conduit Length	48 1/2" (123.2 cm)
Electrical Rating	4.72 kW at 208V 6.3 kW at 240V
Total Amps	30 amps
Shipping Weight	92 lbs (41.7 kg)

ATTENTION ELECTRICIAN:

A 240/208V, 60Hz, 30 Amp circuit is required. An individual properly grounded branch circuit or circuit breaker is required. Hardware junction box is required for built-in product.

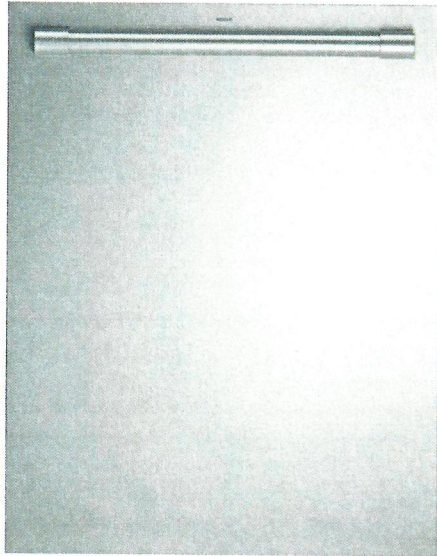
OVERALL DIMENSIONS



Dimensions in parentheses are in centimeters unless otherwise noted. Actual product dimensions may vary due to manufacturing tolerances.

MONOGRAM 24" FULLY INTEGRATED DISHWASHER

ZDT985SPNSS



THE MONOGRAM STATEMENT COLLECTION

Polished stainless steel, and hand-finished edges convey a sense of solidity and beauty

ADVANCED WASH SYSTEM

Designed to achieve the ultimate clean, this advanced wash system with over 90 powerful jets delivers complete washing coverage to every corner of the dishwasher

FULL-EXTENSION, ADJUSTABLE THIRD RACK WITH PREMIUM SLIDES

Convenient and adjustable, this expansive third rack easily accommodates an entire flatware collection, plus carving knives, soup ladles and other cooking/serving tools for the ultimate clean

STEAM + SANITIZATION

Eliminate the need to pre-wash dishes at the end of every meal, thanks to a Steam + Sani feature that easily loosens lingering traces of food with an added bonus of complete sanitization, removing 99.999% of bacteria

39 DBA QUIET OPERATION

Is made possible by advancing sound-absorbing materials and a smooth-running motor

HARD FOOD DISPOSER

Designed to maintain a kitchen's cleanliness and efficiency, the hard food disposer with stainless steel blades grinds food into tiny particles that wash away with ease

MAX DRY SYSTEM

This precise and efficient drying system delivers beautifully dry dishes every time and is perfect for hard-to-dry items like your favorite champagne flutes

BOTTLE JETS

Hard-to-reach areas inside tall items get completely clean with four dedicated jets integrated into the upper rack that shower water deep inside for the ultimate clean

LED LIGHTING

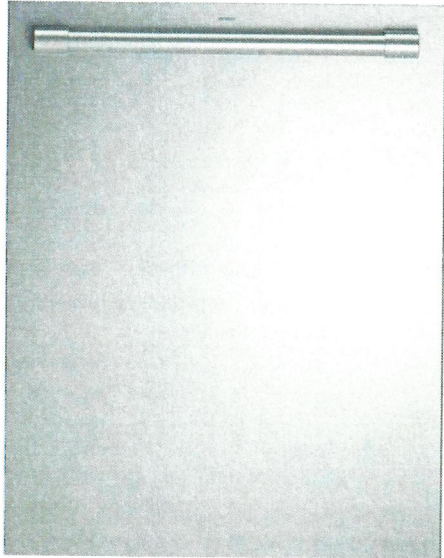
Illuminates the entire interior, leaving no question as to whether or not dishes have been cleaned

DEEP CLEAN SILVERWARE JETS

Powerful jets blast away stuck-on food for silverware that's always spotless

FLUSH INSTALLATION CAPABILITY

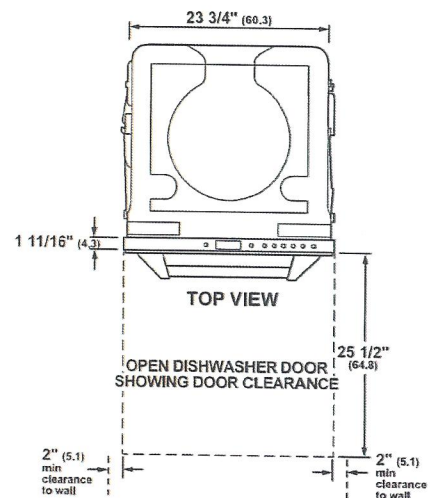
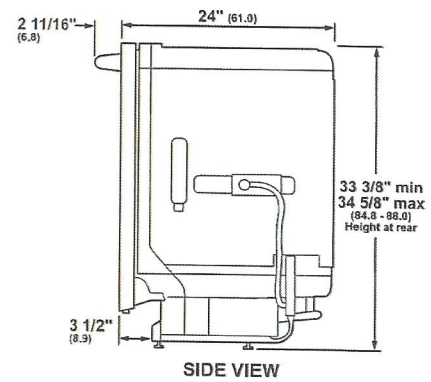
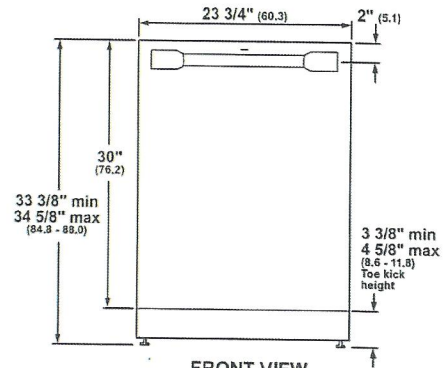
Enables the dishwasher to be installed flush, even with inset cabinetry, without any additional parts



SPECIFICATIONS

Overall Width	23 3/4" (60.3 cm)
Overall Height	33 3/8" (84.8 cm) Min 34 5/8" (88.0 cm) Max
Overall Depth	24" (61 cm)
Door Clearance	25 1/2" (64.8 cm)
Overall Dishwasher Capacity	16 Place Settings
Minimum Cabinet Width	24" (61 cm)
Minimum Cabinet Depth	24" (61 cm)
Cutout Width	24" (61 cm)
Cutout Height	33 1/2" (85.1 cm) Min 34 3/4" (88.3 cm) Max
Electrical Requirements	10.2 A
Hose Length	No more than 12' (3.7 m)
Voltz/Hertz/Amps	115 V, 60 Hz, 15 or 20 amp circuit
Shipping Weight	139 lb (63 kg)

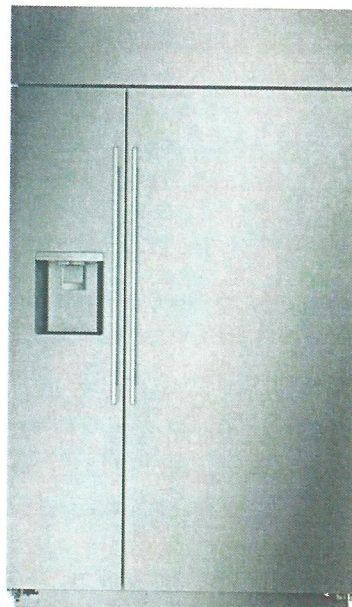
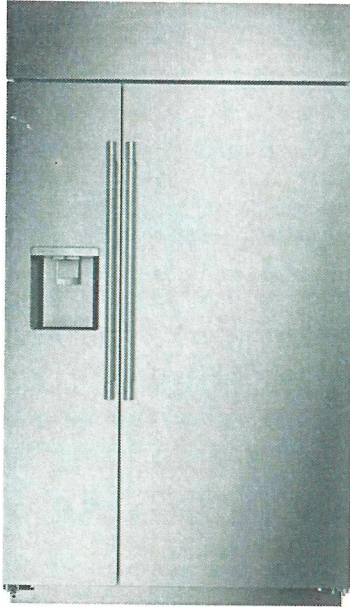
OVERALL DIMENSIONS



Dimensions in parentheses are in centimeters unless otherwise noted.
Actual product dimensions may vary due to manufacturing tolerances.

MONOGRAM 48" BUILT-IN SIDE-BY-SIDE REFRIGERATOR

ZISS480DNSS



When ordering this product,
be sure to use the model number
associated with the chosen handle.



Statement handle
ZKSS2H2PNSS



Minimalist handle
ZKSS2H2CNSS

STATEMENT HANDLE

Model is shown with the Statement handle, which needs to be ordered separately. To order this handle use model number ZKSS2H2PNSS.

MINIMALIST HANDLE

Model is shown with the Minimalist handle, which needs to be ordered separately. To order this handle use model number ZKSS2H2CNSS.



ADVANCED TEMPERATURE MANAGEMENT SYSTEM WITH MULTI-SHELF AIR TOWER

Provides even distribution of air throughout the refrigerator

STATEMENT AND MINIMALIST COLLECTION REFRIGERATOR HANDLES (SOLD SEPARATELY)

Designed to enhance choice and customization, Statement and Minimalist Collection refrigerators do not come with handles. Handles must be chosen separately and ordered through a Monogram representative

CLIMATE-CONTROL DRAWER

Allows you to express-chill beverages, express-thaw meats and select specific temperatures for perishable foods

WIFI CONNECT

Enjoy the convenience and freedom of wirelessly controlling functions from your smartphone

LED LIGHTING

Light columns in the freezer and fresh food compartments extend the full length of the interior and LED lighting located inside the vegetable and climate-control drawers illuminate contents without compromising space

TRUE STAINLESS DISPENSER

Designed to accommodate glassware of all sizes, from pitchers to tumblers

GE® WATER FILTER

Has been moved from the fresh food compartment to the overhead cabinet, where it is discreetly out of sight

DELI DRAWER ON FULL-EXTENSION SLIDES

Keeps meats, cheeses and other everyday foods within easy reach

SEALED VEGETABLE DRAWER

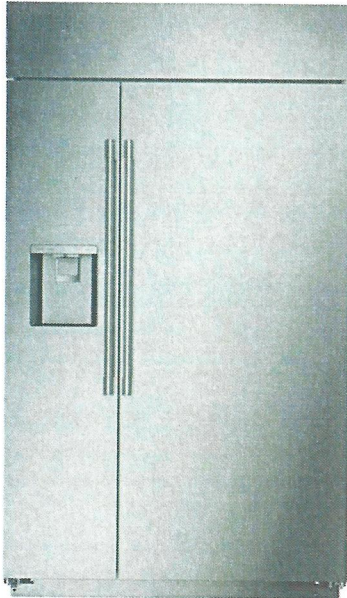
Helps preserve the freshness of foods

ADJUSTABLE GLASS SHELVES

Easily accommodate party trays and platters

SABBATH MODE

Designed to disable functions in accordance with Sabbath-observing practices



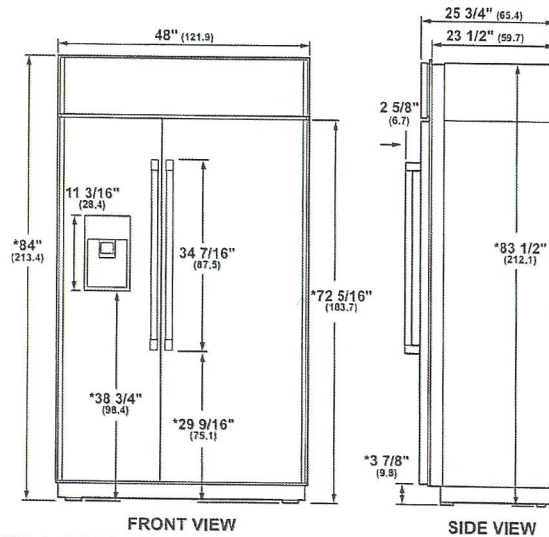
SPECIFICATIONS

Overall Width	48" (121.9 cm)
Overall Height	84" (213.4 cm)
Overall Depth	25 3/4" (65.4 cm)
Door Clearance	28 5/8" (72.7 cm)
Cutout Width	47 1/2" (120.7 cm)
Cutout Height	84" +/- .500 (213.36 cm)
Cutout Depth	24" (61.0 cm)
Plumbing Requirements	1.4" OD copper tubing or GE SmartConnect kit
Shipping Weight	800 lb

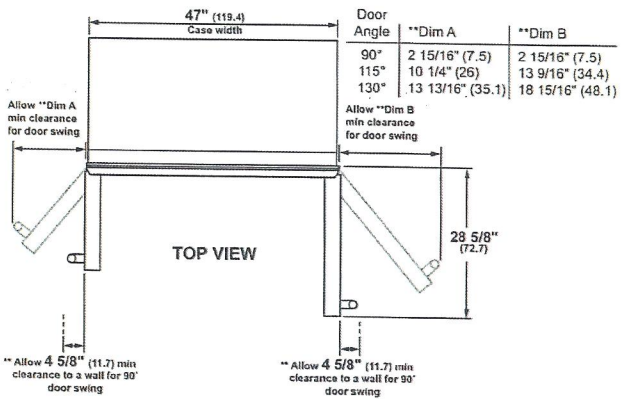
ATTENTION ELECTRICIAN:

A 115 volt 60Hz, 15 or 20 amp power supply is required. An individual properly grounded branch circuit or circuit breaker is recommended. Install a properly grounded 3-prong electrical receptacle recessed into the back wall.

OVERALL DIMENSIONS



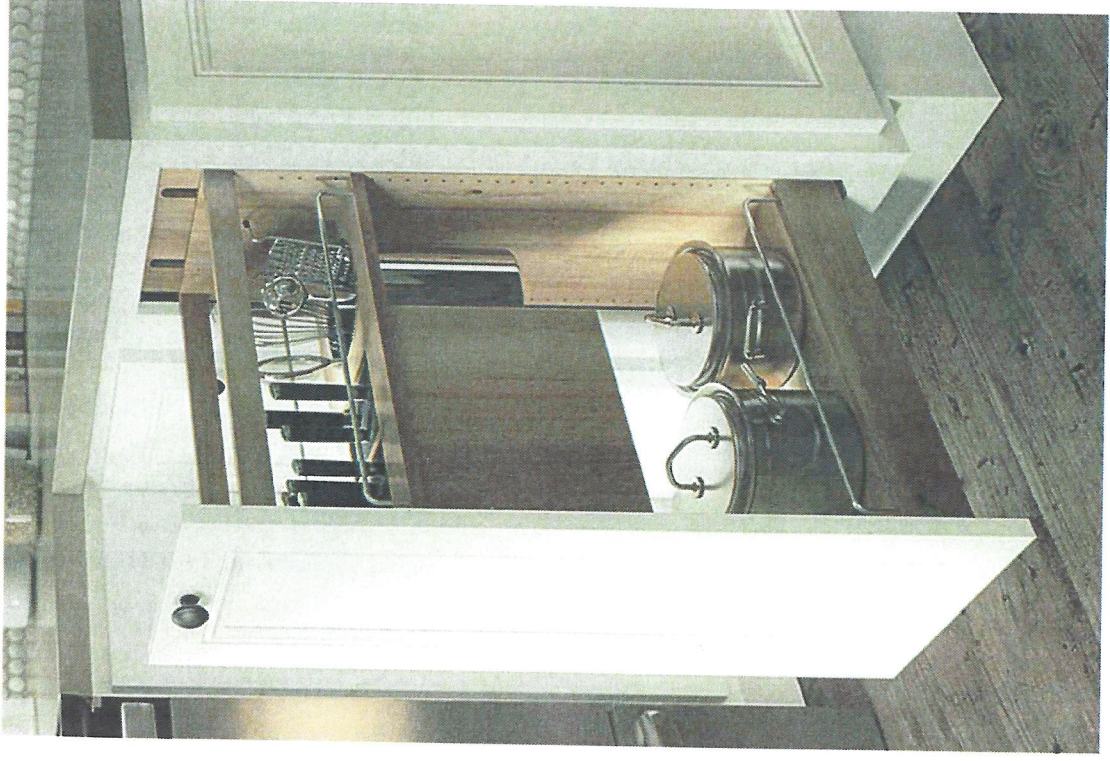
* Shipping height. Use leveling legs and wheels for maximum 1" height adjustment from shipping height.



** These refrigerators are equipped with a 3-position door stop. The factory-set 115° door swing can be adjusted to 90° if clearances to adjacent cabinets or walls is restricted. Allow full 130° door swings for pan removal. If the 90° door stop position is used, pan access is maintained, but pan removal is restricted.

Dimensions in parentheses are in centimeters unless otherwise noted. Actual product dimensions may vary due to manufacturing tolerances.

UTENSIL
KNIFE
PULL OUT



COFFEE MUG
DRAWER





BACKSPUSH

MZ FREDELLA MOZAIK STONE

LUMEN WHITE RANDOM LINEAR



FIREPUCE

EM WHITE STACKED STONE

6x24