



INFORMATION ABOUT ON-SITE SEWER FACILITY

USE OF THIS FORM BY PERSONS WHO ARE NOT MEMBERS OF THE TEXAS ASSOCIATION OF REALTORS®, INC. IS NOT AUTHORIZED. ©Texas Association of REALTORS®, Inc., 2004

16322 Treasure Cove
Bullard, TX 75757

CONCERNING THE PROPERTY AT

A. DESCRIPTION OF ON-SITE SEWER FACILITY ON PROPERTY:

- (1) Type of Treatment System: [] Septic Tank [x] Aerobic Treatment [] Unknown
(2) Type of Distribution System: DRIP [] Unknown
(3) Approximate Location of Drain Field or Distribution System: [] Unknown
(4) Installer: Harris Environmental [] Unknown
(5) Approximate Age: 17 yrs [] Unknown

B. MAINTENANCE INFORMATION:

- (1) Is Seller aware of any maintenance contract in effect for the on-site sewer facility? [] Yes [x] No
If yes, name of maintenance contractor:
Phone: contract expiration date:
Maintenance contracts must be in effect to operate aerobic treatment and certain non-standard on-site sewer facilities.
(2) Approximate date any tanks were last pumped? 3/2022
(3) Is Seller aware of any defect or malfunction in the on-site sewer facility? [] Yes [x] No
If yes, explain:
(4) Does Seller have manufacturer or warranty information available for review? [x] Yes [] No

C. PLANNING MATERIALS, PERMITS, AND CONTRACTS:

- (1) The following items concerning the on-site sewer facility are attached:
[x] planning materials [x] permit for original installation [] final inspection when OSSF was installed
[] maintenance contract [] manufacturer information [] warranty information
(2) "Planning materials" are the supporting materials that describe the on-site sewer facility that are submitted to the permitting authority in order to obtain a permit to install the on-site sewer facility.
(3) It may be necessary for a buyer to have the permit to operate an on-site sewer facility transferred to the buyer.

Handwritten signatures

Smith County
Judy Carnes
County Clerk
Tyler Tx 75702



70 2007 00029937

Instrument Number: 2007-R00029937

As

Recorded On: June 20, 2007

Recordings - Land

Parties: KIEL JAMES PAUL

Billable Pages: 1

To PUBLIC

Number of Pages: 2

Comment:

(Parties listed above are for Clerks reference only)

**** Examined and Charged as Follows: ****

Recordings - Land	16.00
Total Recording:	16.00

***** DO NOT REMOVE THIS PAGE IS PART OF THE INSTRUMENT *****

Any provision herein which restricts the Sale, Rental or use of the described REAL PROPERTY because of color or race is invalid and unenforceable under federal law.

File Information:

Document Number: 2007-R00029937
Receipt Number: 435558
Recorded Date/Time: June 20, 2007 08:08:20A

Record and Return To:

JAMES KIEL
16322 TREASURE COVE
BULLARD TX 75757

User / Station: C Aparicio - Cash Station 2



I hereby certify that this instrument was filed and duly recorded in the Official Records of Smith County, Texas

Judy Carnes
County Clerk
Smith County, Texas

AFFIDAVIT

THE COUNTY OF Smith

STATE OF TEXAS

CERTIFICATION OF ON-SITE SEWAGE FACILITIES REQUIRING MAINTENANCE

According to Texas Commission on Environmental Quality Rules for On-Site Sewage Facilities, this document is filed in the Official Public records of Smith County, Texas.

The Texas Health and Safety Code, Chapter 366 authorizes the Texas Commission on Environmental Quality (TCEQ) to regulate on-site sewage facilities (OSSFs). Additionally, the Texas Water Code (TWC), 5.012 and 5.013, gives the TCEQ primary responsibility for implementing the laws of the State of Texas relating to water and adopting rules necessary to carry out its powers and duties under the TWC. The TCEQ, under the authority of the TWC and the Texas Health and Safety Code, requires owners to provide notice to the public that certain types of OSSFs are located on specific pieces of property. To achieve this notice, the TCEQ requires an Official Public Record recording. Additionally, the owner must provide proof of the recording to the local OSSF permitting authority. This document is not a representation or warranty by the TCEQ or the local permitting authority of the suitability of this OSSF, nor does it constitute any guarantee by the TCEQ or the local permitting authority that the appropriate OSSF was installed.

Before me, the undersigned authority, on this day personally appeared (land owner's printed name): James Paul Kiel who after being by me duly sworn, upon oath states that he/she is the owner/owner's agent of record of that certain tract, lot, or parcel of land lying and being situated in Smith County Texas, and being more particularly described as follows:

Lot 19, Block 2, Subdivision Cumberland Ridge, Unit # 1
Acreage _____, Survey Name _____, Abstract # _____, Deed Volume _____, Page _____
Tract _____, Section _____, GEO # _____
911 Address 16322 Treasure Cove Bullard TX. *

OR ATTACH: A COPY OF WARRANTY DEED /W METES AND BOUNDS PROPERTY DESCRIPTION

An OSSF requiring inspections and maintenance according to 30 Texas Administrative Code 285.91(12) is proposed to be installed on this property. This OSSF must be inspected once every _____ months. Inspection and maintenance on this OSSF must be done in accordance with THSC 366.0515 and TAC 285. At least thirty days before an existing inspection contract expires, the property owner must submit a renewal contract (or equivalent compliance documentation per TAC 285) to the local permitting authority. The owner will, upon sale or transfer of the above described property, request a transfer of the permit for the OSSF to the buyer or new owner and a new, signed maintenance contract (or equivalent compliance documentation per TAC 285) must be submitted to the permitting authority within 30 days after the property has been transferred. Neither the maintenance company nor the owner may alter the OSSF in any way without prior approval of the permitting authority.

WITNESS MY HAND ON THIS THE 30 DAY OF May, 2007

X [Signature]
(Owner's Signature[s])

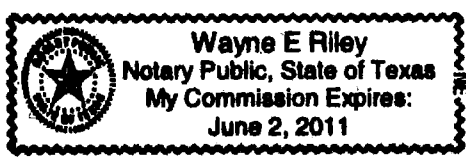
SWORN TO AND SUBSCRIBED BEFORE ME on this the 30 day of May, 2007

by James Paul Kiel Jr.
(Owner's Printed Name)

[Signature]
(Notary Public, State of Texas)

Wayne E. Riley
Notary's Printed Name

My Commission Expires: 6-2-11



(Seal)

**Wayne E. Riley, R.S.
Scott Morrison, R.S.**

**212 West 9th Street
Tyler, TX 75701
903-526-2003**

May 23, 2007

James Paul Kiel
16322 Treasure Cove
Bullard, TX

Dear Mr. Kiel,

As requested, I conducted a site and soil evaluation and completed a septic system design for your property. This system was designed in accordance with the most recent State construction standards for on-site sewerage facilities. This system is designed to accept a **maximum** of **240** gallons of wastewater per day. The installation and operation of this system must be in accordance with the most recent construction standards for the treatment of on-site wastewater. You the property owner must acknowledge there are many factors that affect the proper operation of on-site sewerage facilities and it is your responsibility to control the amount of sewage discharge into the system. If this property is sold in the future, you should provide the new owner with a copy of this report and design.

Provide a copy of the report along with the design sheet to the installer of the system and insist that the installer read the report carefully to avoid any problems at the time of installation and inspection. It is the responsibility of the installer to address any other issues not addressed in my report.

TO OBTAIN PERMIT APPROVAL:

1. Take the time to read the report and design.
2. Read carefully the permit application and fill in all appropriate blanks.
3. If affidavit to public forms for surface application, easement agreements or variances are necessary, fill in all appropriate blanks.
4. Submit copies of report and design, copy of this letter, complete permit application, (Notarized affidavit- filed and certified, and variance request if needed) to the designated permitting authority.

Please do not hesitate to call me if there are questions or concerns regarding this report and design.

Sincerely,

Enviro-Design

INDIVIDUAL ON-SITE WASTEWATER
DISPOSAL SYSTEM REPORT

TYPE SYSTEM: Aerobic Drip Irrigation System

PROPERTY OWNER: James Paul Kiel

PROPERTY LOCATION: 16322 Treasure Cove, Bullard

GENERAL INFORMATION: This design and report is for a 3-bedroom home with approximately 2,350 sq. ft. of living space. This home is equipped with low flow water saving devices. The estimated daily water usage rate for this home with low flow fixtures and with a maximum occupancy of four persons is, according to current state construction standards, 240 gallons per day. (4 persons x 60 gal. = 240 gal. / day). This system will be designed to accept a **maximum** of **240** gallons per day of wastewater. **It will be the responsibility of the property owner to monitor this with the aid of a flow meter. The Kiel family is currently using 100-133 gal./day of water according to current water records.**

This system as requested, due to a lack of space for surface application and an unsuitable site for a conventional system, is designed to use drip irrigation as a means of wastewater disposal if approved by the permitting authority. The installation and operation of this system must be in accordance with the most recent State construction standards for on-site sewerage facilities. Therefore it is the responsibility of the system installer to accomplish any other issues not addressed in this report.

NOTE: Downspouts from the roof should be diverted away from the excavation area and french drains installed when necessary to divert subsurface and surface water away from drip field to avoid over saturation and possible failure. Lawn watering should not be applied over the excavation area.

ATTENTION: IT MUST BE UNDERSTOOD BY THE PROPERTY OWNER THAT THE NATURE OF A DRIP IRRIGATION SYSTEM IS A WET SATURATED YARD AND THE DESIGNER IS NOT RESPONSIBLE FOR THIS OCCURRENCE. THEREFORE WATER CONSERVATION WILL BE REQUIRED. THIS DRIP FIELD HAS BEEN INCREASED BY 271 LINEAR FEET OVER THE REQUIRED AMOUNT OF DRIP LINE TO DECREASE THE CHANCES OF A SOGGY YARD. DO NOT CONSTRUCT OR PLANT ANYTHING OVER OR IN THE DRIP FIELD i.e. STORAGE BUILDINGS, PATIOS, PLANTING TREES. THIS WILL CAUSE SYSTEM FAILURE. GRASS SOD OR GROUND COVER MUST BE PLANTED OVER THE DRIP FIELD PRIOR TO SYSTEM STARTUP.

SOIL ANALYSIS: The soil texture of the soil on this property consists primarily of a class III sandy clay soil. The soil profile on this property consists of 0-24 inches of sandy loam soil and 24-60 inches of class III sandy clay soil. The system is not located in a flood zone.

DRIP FIELD AREA: This drip irrigation system will be designed to accept a maximum of 240 gallons per day. This site is on a slight slope. **This system is designed to use pressure compensating line.**

This system will be designed with a (Ra) of 0.2

A. Field area required: $240/0.2 = 1,200$ sq. ft.

This system is designed with 1,742 sq. ft.

B. Emitter line spacing: 24 inches

C. Emitter line installed: $1,742 \text{ sq. ft.} / 2 \text{ ft.} = 871$ linear ft.

D. Total number of emitters: $871 / 2 = 436$ emitters

E. Emitter flow rate: 1.13 G.P.H. at 15 psi according to table 2 in the Geo-Flow design manual.

ATTENTION INSTALLER:

It may be necessary during installation to increase or decrease the length of individual lines or change the direction of the lines due to obstructions such as rocks, stumps, trees, etc. In my professional opinion, this should not affect the performance of the system as long the designed amount of drip line is obtained.

HOUSE SEWER: The sewer pipe from the house plumbing to the septic tank should be constructed of SDR 26, schedule 40 or stronger. Schedule 40 should be used under driveways. A two way clean out plug must be provided between the tank and the building at each stub-out if there are no existing stub-outs.

PRE-TREATMENT TANK: A 500 gallon chamber will be installed for this system.

AEROBIC UNIT: A Class I, 500 gallon per day capacity unit, N.S.F. approved, and listed on TCEQ's approved list. **MANUFACTURER:** _____

MODEL # _____

PUMP CHAMBER (DOSING TANK): A 750 gallon chamber will be used for this system, with a ½ H.P. submersible pump and an audiovisual high water alarm on a separate circuit from the pump in the event of pump failure, or loss of electrical power. The reserve volume must be at least one third of the daily flow after the alarm is activated. A typical dosing volume is 35-40 gallons, averaging 6-9 doses per day. **The dosing process must be set up on a timer with smaller volumes being dosed more over a 24 hour period. A flow meter must be installed down stream of the pump chamber.**

EFFLUENT DISINFECTION: **Chlorine tablets should be added to the system downstream of the aerobic unit and ahead of the pump chamber via an in-line chlorinator.**

EMITTER LINES: Lines treated with an herbicide and bactericide with turbulent flow, large flow path emitters should be used to prevent blocking. **This system is designed to**

use pressure compensating line.

VACUUM BREAKERS (FLUSH VALVES): Vacuum breakers will be used for this system to provide air movement into the field to prevent soil particles from entering the emitter. These vacuum breakers should be covered by irrigation boxes filled with pea gravel and placed at high corners to prevent the system from draining through these valves when the water pressure is switched off.

FILTERS: The filter removes any particles that cannot pass out the emitter outlet. After backwashing the filter, the trash must be routed back to the pre-treatment tank.

NOTE: All filters, regulators, valves, gauges and meters will be enclosed in an easily accessible housing. If this equipment is installed in the top of the pump tank then the riser must be wide enough to access all parts easily. The opening over the tank must have a cap weighing 65 pounds or have a top secured with tamper resistant screws.

PROPERTY LINES: A minimum of 5 feet from all property lines must be observed.

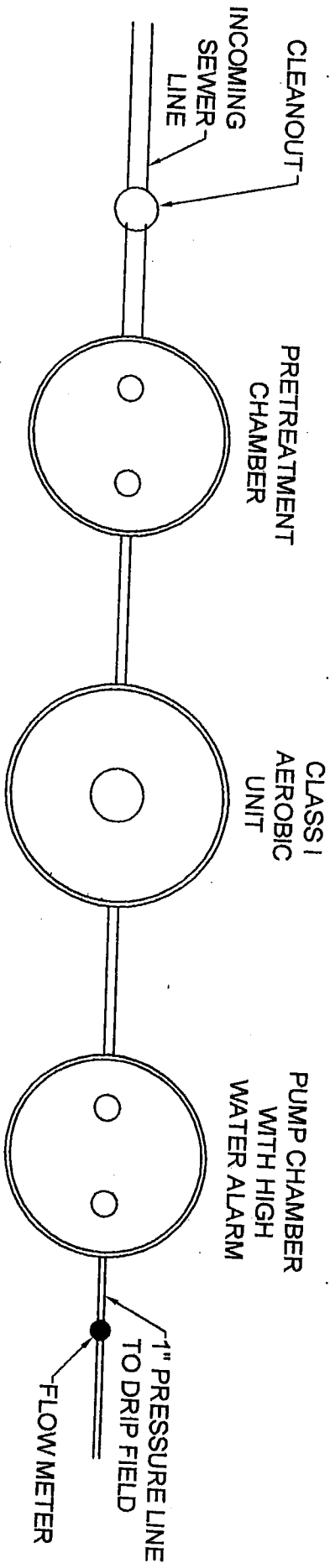
LANDSCAPE: Some type of turf grass (sod) must be planted over the field prior to system startup. Some selective tree cutting may be necessary to install the system.

MAINTENANCE AGREEMENT: According to the current State construction standards a maintenance agreement must be obtained (and renewed) by the system owner from an approved company or individual certified by the manufacturer of this unit for service and repairs to the system. The Maintenance Company will verify that the system is operating properly, and should provide on-going maintenance of the system. The initial maintenance contract must be valid for a minimum of two years. It is the responsibility of the homeowner to renew this contract must be valid for a minimum of two years. It is the responsibility of the homeowner to renew this contract as needed.

ATTENTION: THIS SYSTEM WILL REMAIN DISABLED AND CANNOT BE PUT INTO OPERATION UNTIL INSPECTED AND APPROVED BY THE LOCAL PERMITTING AUTHORITY.

REPORT PREPARED BY:

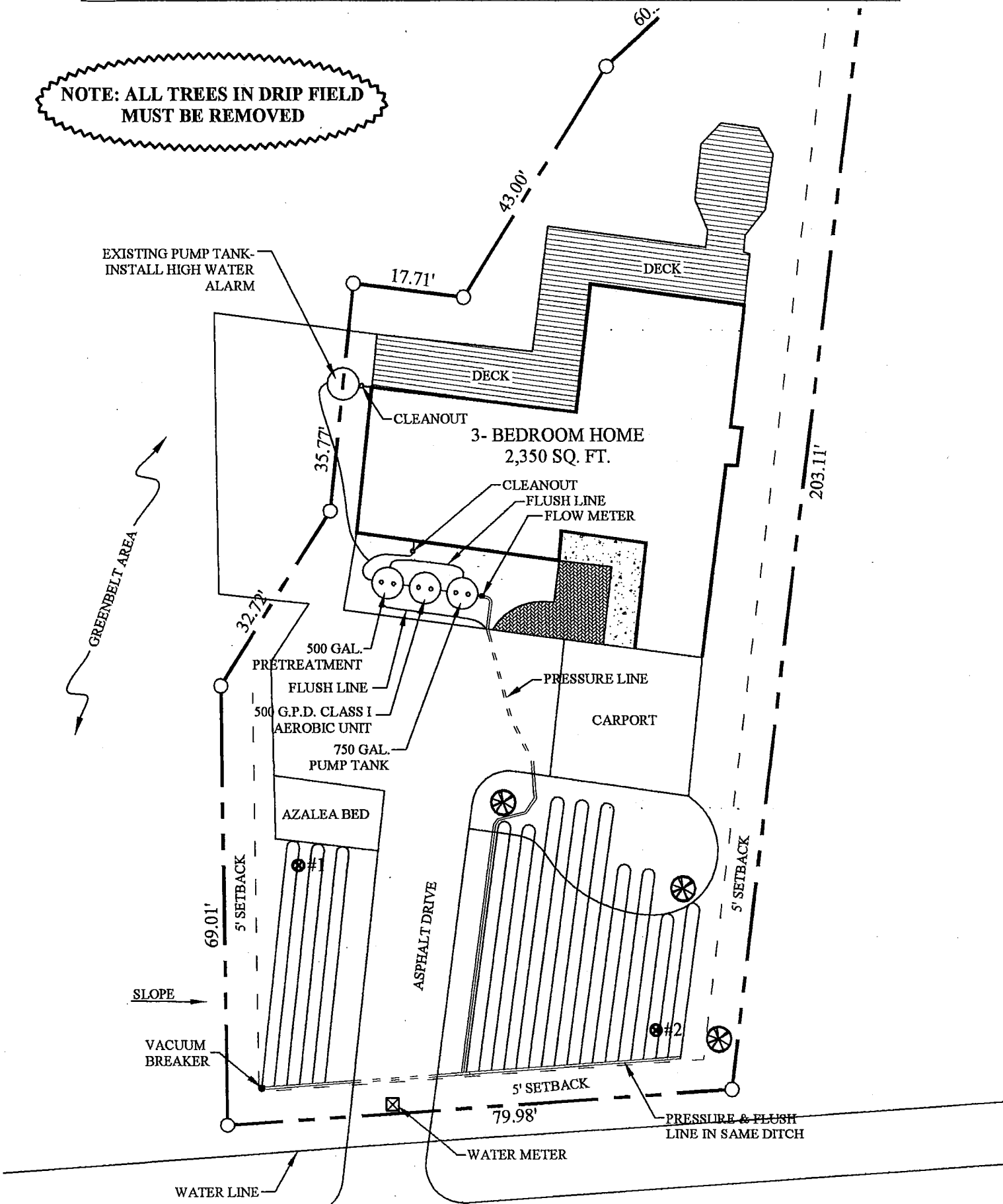
Enviro-Design



TRASH TANK 500 Gallon AEROBIC UNIT 500 g.p.d. PUMP TANK 750 Gallon
 APSORPTION AREA 1,742 sq. ft. DRIP LINE 871 ft. SOIL CLASSIFICATION IV

NOTE: ALL TREES IN DRIP FIELD MUST BE REMOVED

EXISTING PUMP TANK -
 INSTALL HIGH WATER
 ALARM



TREASURE COVE

STATE OF TEXAS

UPPER NECHES RIVER MUNICIPAL WATER AUTHORITY

**NOTICE of RESULTS of OSSF
PRE-CONSTRUCTION DESIGN
for INSTALLATION/OPERATION**

PERMIT # 07-43

PROPERTY OWNER James Paul Kiel

MAILING ADDRESS: 16322 Treasure Cove Bullard, TX 75757

PROPERTY LOCATION: SUBDIVISION Cumberland Ridge

LOT 19 BLOCK 2 SECTION -- UNIT 1 COUNTY Smith

or OTHER (if different from above): N/A

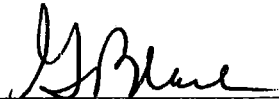
The above-described site has been found to be suitable for installation/operation of an On-Site Sewage Disposal System in accordance with your application.

Approval is hereby granted for construction as designed.

Any modifications to submitted plan or changes in site topography (cutting or filling) will require approval of the Upper Neches River Municipal Water Authority (hereafter called "Authority") prior to installation.

Owner or installer should contact the Authority at (903) 876-2237 one (1) working day prior to completion to arrange the required final inspection. If installation and final inspection have not been performed within one (1) year of application, site evaluation and fee will be requested.

Special Remarks: System designed for 240 gallons per day.


Authorized Representative

7/6/07
Date

***Note:** Subsurface system components must not be covered until final inspection is complete.

UPPER NECHES RIVER MUNICIPAL WATER AUTHORITY

NOTICE of APPROVAL and PERMIT for AEROBIC ON-SITE SEWAGE FACILITY

PERMIT # 07-43

PROPERTY OWNER: J. Paul Kiel
MAILING ADDRESS 16322 Treasure Cove Bullard, TX 75757
PROPERTY LOCATION: SUBDIVISION Cumberland Ridge

LOT 19 BLOCK 2 SECTION 1 UNIT -- COUNTY Smith

or OTHER N/A

This notice serves to advise that the On-Site Sewage Facility owned by the above and located at the above described site has satisfied design and installation requirements of the Upper Neches River Municipal Water Authority (hereinafter called "Authority") for such facilities located within the Water Quality Zone of Lake Palestine. This Authority approval will serve as a permit for operation of the above-identified On-Site Sewage Facility. Permit is effective for a term of five (5) years and may be renewed for successive terms of five (5) years if the Authority determines that continued operation is not in conflict with regulations and that no pollution or threat to public health will result.

The owner must continuously maintain a written contract with a valid maintenance company and shall submit a copy of the contract to the Upper Neches River Municipal Water Authority at least 30 days prior to expiration of the previous contract. Aerobic systems with irrigation will be inspected from time to time by the Upper Neches River Municipal Water Authority for proper operation and maintenance.

Upon issuance of this permit, the Upper Neches River Municipal Water Authority shall submit an affidavit to the county clerk's office to be added to the real property deed on which the surface application system is installed. This affidavit shall state that the property shall not be transferred to a new owner without:

1. The new owner advised that the property contains a surface application system for wastewater disposal.
2. The permit issued to the previous owner of the property transferred to the new owner.
3. The new owner submitting a valid maintenance contract to the Upper Neches River Municipal Water Authority.

Any modification to the structure of system components or change of ownership may require new approval and permit. The owner must notify the Authority of any such changes. Failure to do so may invalidate your permit.

Additional comments or special conditions _____

Please contact the Authority if you feel we may be of service in ensuring a dependable On-Site Sewage Disposal System.

T.G. Mallory
Authorized Representative

8/14/07
Date

This instrument was acknowledged before me on 14 day of August 2007.
By T.G. Mallory, General Manager

Gina L. Black
Notary Public, State of Texas

