

# FBS

## APPLIANCE

Specifications for Project  
BELLAIRE, TX, 77402

---

4242 Richmond Ave.  
Houston  
2812776464

Roland Mitchell  
[rmitchell@fbsappliance.com](mailto:rmitchell@fbsappliance.com)

**i REMINDER:** To ensure a smooth project it is the responsibility of the homeowner / purchaser of appliances for this project to share all the attached specifications to ensure the cabinet provider, contractor, or any other tradesperson have all the information required to complete their work accurately.

Specifications are subject to change. If any tradesperson has questions regarding the attached specifications please contact our sales associate.

**BELLAIRE, TX, 77402**

MODERN T REAL ESTATE

BELLAIRE, TX, 77402



<i>Contents</i>	<i>Page no.</i>
<b>HGS8655UC</b> Bosch Range  800 Series Gas Freestanding Range 36" Stainless Steel	<b>3-4</b>
<b>HMD8053UC</b> Bosch Microwave  800 Series Drawer Microwave 30" Stainless Steel	<b>5-6</b>
<b>SHX5AEM5N</b> Bosch Dishwasher  24" Bar Handle Dishwasher	<b>7-9</b>
<b>DAMA36SSV2</b> Faber Ventilation  36" Chimney Wall Hood	<b>10-11</b>

**FBS Appliance**

factorybuilderstores.com

**Roland Mitchell**

Inside sales

2812776464

BT Quote **366530**

Version 1.1

Thu, Feb 1, 2024

2:20 PM CST



[enterprise.steelcod.com/sp/fbst/XAZ5ZKTJ](https://enterprise.steelcod.com/sp/fbst/XAZ5ZKTJ)

**Note about page numbers:**

Because the original manufacturer's documents are not altered in any way, the page numbers displayed on the page may not correspond to the page number within this package.

**All specifications are intended for initial planning purposes only.**

Manufacturers reserve the right to change specifications at any time without notice. Always consult the installation instructions found on the manufacturer's website or included with the appliances before installation.

# 36" Industrial Style Gas Range

800 Series – Stainless Steel HGS8655UC



**BOSCH**  
Invented for life



**HGS8655UC**  
Stainless Steel

Also available in:

Black HGS8645UC  
Stainless Steel

**First 36" Bosch range with six burners offering more flexibility in the way you cook.**

## Features & Benefits

Powerful 18,000 BTU double ring burner speeds cooking time.

Dishwasher safe grates for easy cleaning.

A full extension telescopic rack rail offers easy access to the oven cavity.

Dampened hinges softly guide the QuietClose® door shut so the oven door never slams.

Heavy-duty metal knobs for a premium look and feel.

## General Properties

Cooking modes	Bake, Convection Bake, Broil
Cleaning type	Catalytic clean coating
Type of grate	Cast iron
Knob material	Metal
Interior light	1
Kitchen timer	Yes
Sealed burners	Yes

## Oven Performance

Bake / broil burner power BTU	17,000 / 14,000 BTU
-------------------------------	---------------------

## Burner Performance

Total cooktop burners	6
Total cooktop (NG / LP) BTU	63,000 / 63,000 BTU
Power of front left burner (NG / LP) BTU	18,000 / 18,000
Power of back left burner (NG / LP) BTU	5,000 / 5,000
Power of back center burner (NG / LP) BTU	10,000 / 10,000
Power of front center burner (NG / LP) BTU	10,000 / 10,000
Power of back right burner (NG / LP) BTU	10,000 / 10,000
Power of front right burner (NG / LP) BTU	10,000 / 10,000

## Technical Details

Circuit breaker (A)	15 A
Volts (V)	120 V
Frequency (Hz)	60 Hz
Plug type	US 3-prong
Cord length (in.)	60" with plug
Energy source	Gas
Gas type	Natural gas 14.9 mbar (USA) [7" WC]
Alternative gas type	LP 27.4 mbar (USA)[11" WC]

## Dimensions & Weight

Overall appliance dimensions (HxWxD)(in.)	36" x 35 15/16" x 24 15/16" (26 1/2" with bull nose)
Required cutout size (HxWxD)(in.)	36" x 36" x 25"
Adjustable range height (in.)	35 19/32" Min. 36 39/64" Max.
Oven cavity size (cu. ft.)	3.4
Overall oven interior dimensions (HxWxD)(in.)	15" x 28 7/16" x 17 11/16"
Usable oven interior dimensions (HxWxD)(in.)	15" x 28 11/32" x 17 11/16"
Net weight (lbs)	207 lbs

## Accessories—Included

Use and care manual, installation guide, LP conversion kit, 1 standard rack, 1 telescopic rack

## Accessories—Optional



**HEZ9GR41UC**  
Griddle



**HEZ9GW23UC**  
Wok Ring



**HEZ9YZ36UC**  
36" Low Backguard  
Stainless Steel



**HEZ9ZZ36UC**  
36" Rear Vent Trim Extension  
Stainless Steel



**HEZ9YZ04UC**  
Side Panel Extension Kit  
Stainless Steel



**HEZ9TK36UC**  
36" Range Toe Kick  
Stainless Steel



**HEZ9LLUC**  
Metal Pedestal Feet,  
Set of 4  
Stainless Steel



**Accessories:** To purchase Bosch accessories, cleaners & parts please visit [www.bosch-home.com/us/store](http://www.bosch-home.com/us/store) or call 1-800-944-2904 (Mon to Fri 5 am to 6 pm PST, Sat 6 am to 3 pm PST).

**Notes:** All height, width and depth dimensions are shown in inches. BSH reserves the absolute and unrestricted right to change product materials and specifications, at any time, without notice. Consult the product's installation instructions for final dimensional data and other details prior to making cutout.

**Warranties:** Please see Use & Care manual or Bosch website for statement of limited warranty.

**For more information on our entire line of products, go to [www.bosch-home.com/us](http://www.bosch-home.com/us) or call 1-800-944-2904**

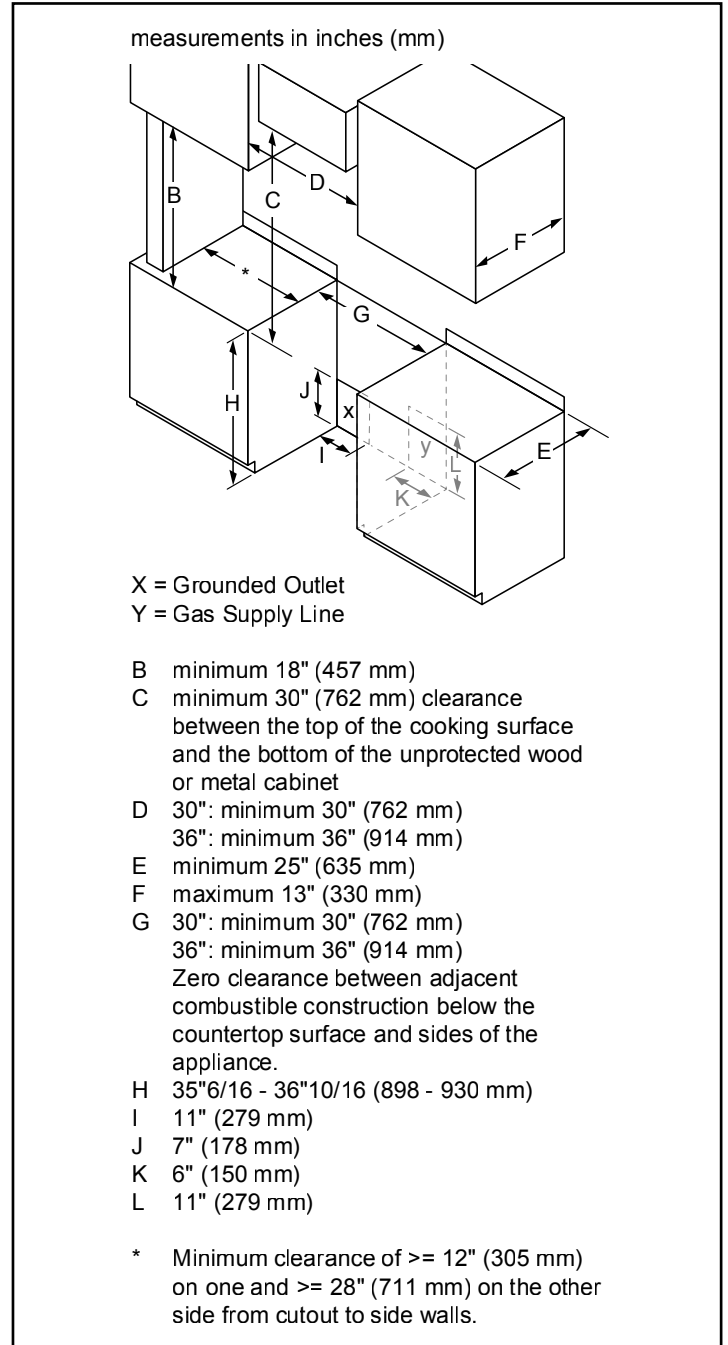
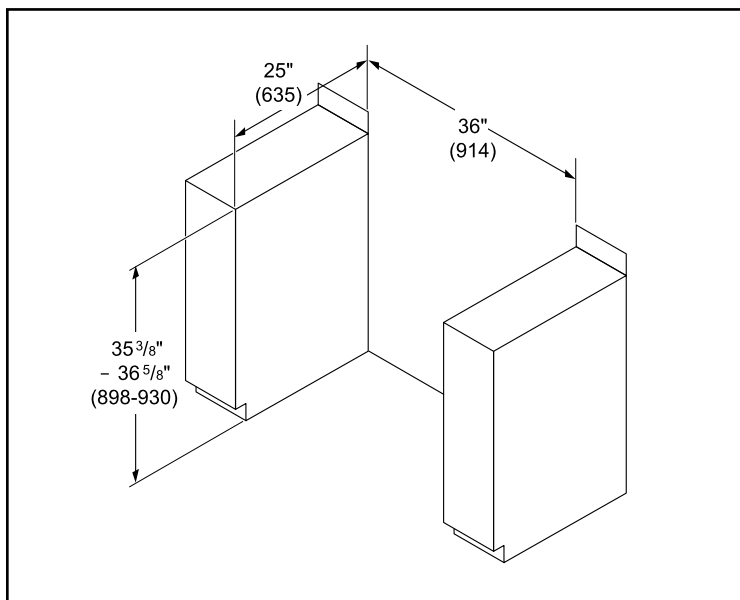
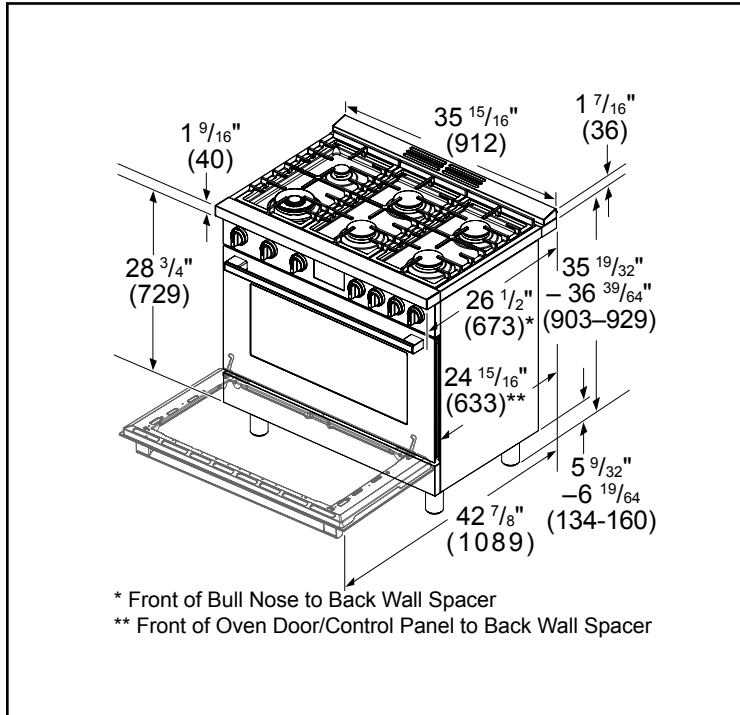
© BSH Home Appliances Corporation. All rights reserved. Bosch is a registered trademark of Robert Bosch GmbH.

# 36" Industrial Style Gas Range

800 Series – Stainless Steel HGS8655UC



## Installation Details



**Accessories:** To purchase Bosch accessories, cleaners & parts please visit [www.bosch-home.com/us/store](http://www.bosch-home.com/us/store) or call 1-800-944-2904 (Mon to Fri 5 am to 6 pm PST, Sat 6 am to 3 pm PST).

**Notes:** All height, width and depth dimensions are shown in inches. BSH reserves the absolute and unrestricted right to change product materials and specifications, at any time, without notice. Consult the product's installation instructions for final dimensional data and other details prior to making cutout.

**Warranties:** Please see Use & Care manual or Bosch website for statement of limited warranty.

**For more information on our entire line of products, go to [www.bosch-home.com/us](http://www.bosch-home.com/us) or call 1-800-944-2904**

© BSH Home Appliances Corporation. All rights reserved. Bosch is a registered trademark of Robert Bosch GmbH.

# 30" Drawer Microwave

800 Series – Stainless Steel HMD8053UC



**BOSCH**  
Invented for life



**HMD8053UC**  
Stainless Steel

**The 30" drawer microwave opens and closes automatically with the push of a button, and can be installed flush to cabinet.**

## Features & Benefits

Convenient automatic sensor programs simplify cooking for great results every time.

Low profile design with touch "open" and "close".

Enough room to fit a 4 qt. casserole dish.

Install under a counter or in a wall cabinet.

White touch control LCD matches Bosch wall ovens.

## General Properties

Cavity material	White
Max. microwave power	950 W

## Capacity

Cavity capacity	1.2 cu. ft.
-----------------	-------------

## Technical Details

Watts	1,500 W
Circuit breaker	15 A
Volts	120 V
Frequency	60 Hz
Power cord length	48"
Plug type	120V-3 prong

## Dimensions & Weight

Overall appliance dimensions (HxWxD)	16 5/16" x 30" x 23 3/8"
Required cutout size (HxWxD)	14 13/16" x 28 1/4" x 23 1/2"
Net weight	88 lbs



**Accessories:** To purchase Bosch accessories, cleaners & parts please visit [www.bosch-home.com/us/store](http://www.bosch-home.com/us/store) or call 1-800-944-2904 (Mon to Fri 5 am to 6 pm PST, Sat 6 am to 3 pm PST).

**Notes:** All height, width and depth dimensions are shown in inches. BSH reserves the absolute and unrestricted right to change product materials and specifications, at any time, without notice. Consult the product's installation instructions for final dimensional data and other details prior to making cutout.

**Warranties:** Please see Use & Care manual or Bosch website for statement of limited warranty.

**For more information on our entire line of products, go to [www.bosch-home.com/us](http://www.bosch-home.com/us) or call 1-800-944-2904**

© BSH Home Appliances Corporation. All rights reserved. Bosch is a registered trademark of Robert Bosch GmbH.

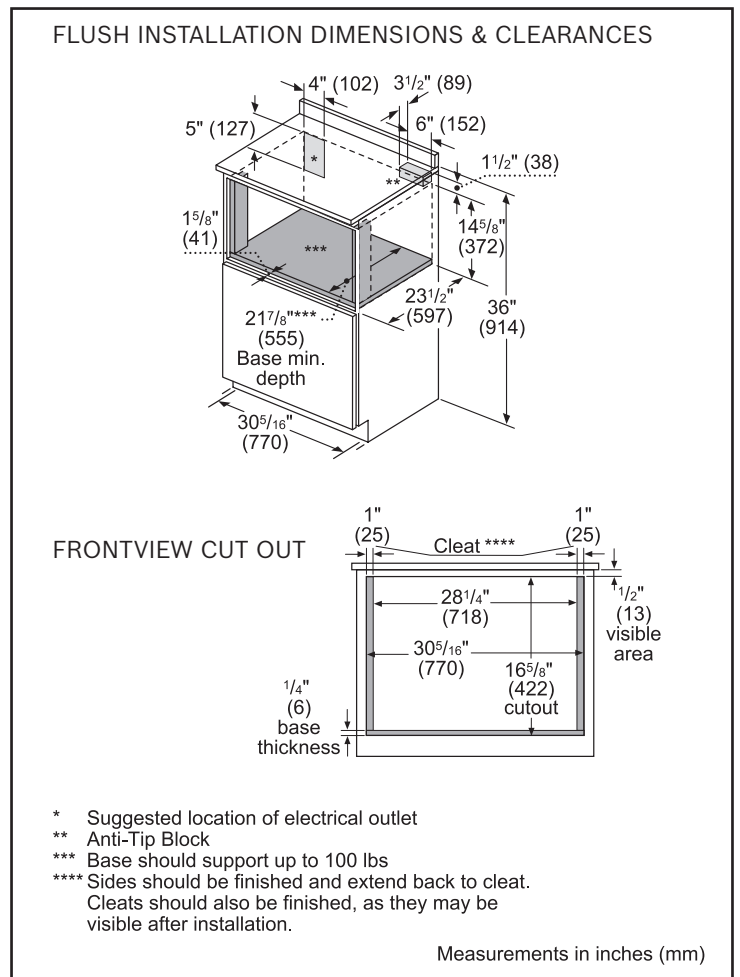
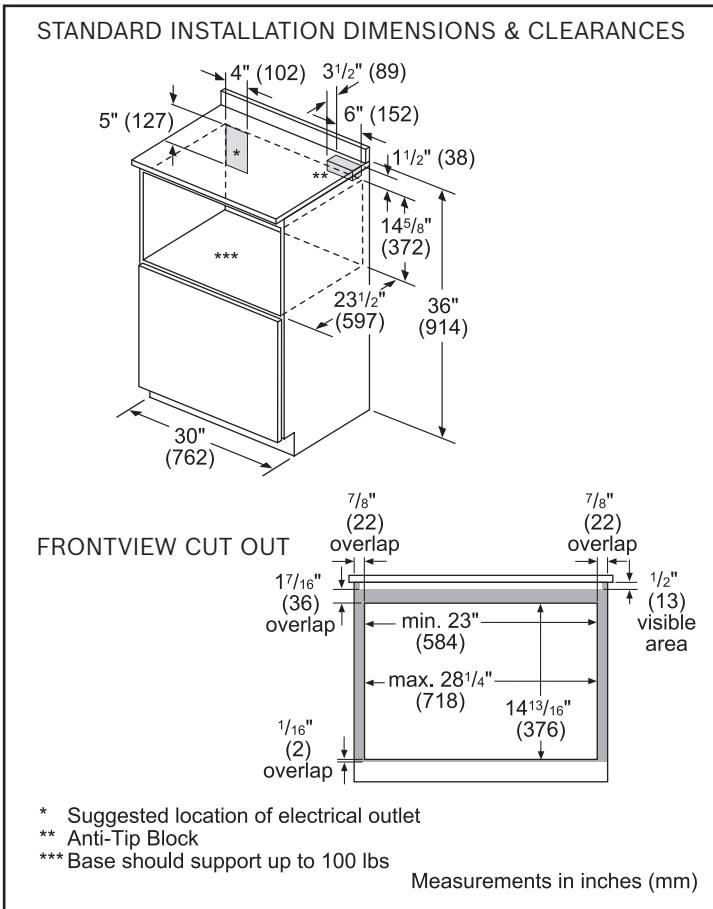
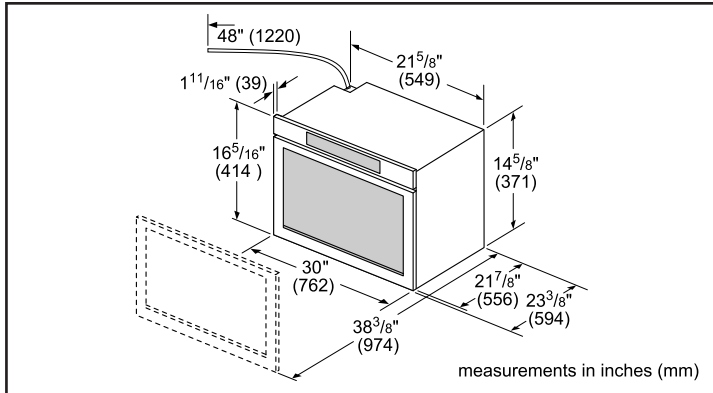
# 30" Drawer Microwave

800 Series – Stainless Steel HMD8053UC



**BOSCH**  
Invented for life

## Installation Details



**Accessories:** To purchase Bosch accessories, cleaners & parts please visit [www.bosch-home.com/us/store](http://www.bosch-home.com/us/store) or call 1-800-944-2904 (Mon to Fri 5 am to 6 pm PST, Sat 6 am to 3 pm PST).

**Notes:** All height, width and depth dimensions are shown in inches. BSH reserves the absolute and unrestricted right to change product materials and specifications, at any time, without notice. Consult the product's installation instructions for final dimensional data and other details prior to making cutout.

**Warranties:** Please see Use & Care manual or Bosch website for statement of limited warranty.

**For more information on our entire line of products, go to [www.bosch-home.com/us](http://www.bosch-home.com/us) or call 1-800-944-2904**

© BSH Home Appliances Corporation. All rights reserved. Bosch is a registered trademark of Robert Bosch GmbH.

# 24" Bar Handle Dishwasher

100 Series Premium – Stainless Steel SHX5AEM5N



**BOSCH**  
Invented for life



**SHX5AEM5N**  
Stainless Steel

Also available in:

- White SHX5AEM2N
- Black SHX5AEM4N
- Stainless Steel
- Black SHX5AEM6N

**A 3rd rack provides 30% more loading space<sup>1</sup> for your utensils, giving the other racks more space for dishes.**

## Features & Benefits

With Bosch PrecisionWash<sup>®</sup>, just scrape and load. No pre-rinsing required for a beautiful clean.

46 dBA: Quietest dishwasher brand in North America.<sup>2</sup>

RackMatic<sup>®</sup> adjusts the upper rack to 9 different positions, allowing for taller items like stemware or leaving room for pots and pans below.

Home Connect<sup>®</sup> lets you monitor and control your appliance remotely, via the Home Connect<sup>®</sup> app.

24/7 Overflow Protection System<sup>®</sup> helps prevent water leaks, even when your dishwasher is off.

## General Properties

Number of wash cycles	5 + 3 additional in Home Connect <sup>®</sup>
Number of options	3 + 4 additional in Home Connect <sup>®</sup>
dBA	46
Wash system	PrecisionWash <sup>®</sup>
Drying system	PureDry <sup>®</sup>
Third rack	Standard 3rd rack
Rack adjustability	RackMatic <sup>®</sup>
Tub material	Stainless steel/ polypropylene
Control type	Touch
Concealed water heating element	Yes
Leak protection system	24/7 Overflow Protection
NSF <sup>®</sup> -certified <sup>3</sup> sanitize option	Yes
Water softener	No
Five-level wash	Yes
Child Lock button suspension	No
Home Connect <sup>®</sup> (Wi-Fi enabled)	Yes
Anti-Fingerprint Finish	Yes
Special features	InfoLight <sup>®</sup>

## Efficiency

Water usage per cycle	3.5 gal
Total annual energy consumption	269 kWh

## Capacity

Number of place settings	15
--------------------------	----

Home Connect



<sup>1</sup>Compared to Bosch dishwasher with two racks.

<sup>2</sup>Based on an average of sound ratings of 24" Full Size Stainless Steel Tub dishwashers contained in major brands US & Canadian websites. Major brands defined as TraQline Top 5 Market Share (US & Canada) December 2021.

<sup>3</sup>Certification to NSF/ANSI Standard 184 for residential dishwashers.

## Technical Details

Watts	1440 W
Current	12 Amps
Volts	120 V
Frequency	60 Hz
Power cord full length	67"
Power cord install length from edge of unit when facing the door	Left – 45" Right – 50"
Minimum water pressure	14 lb/sin
Length outlet hose	90 1/2"

## Dimensions & Weight

Overall appliance dimensions (HxWxD)	33 7/8" x 23 9/16" x 22 9/16"
Required cutout size (HxWxD)	33 7/8" x 24" x 24"
Adjustable feet	Yes
Net weight	67 lbs

## Accessories—Optional

Supply Hose Kit with Elbow	SMZSH1ABUC
Junction Box	SMZPCJB1UC
Junction box & Water Supply Hose Kit	SMZ3IN1UC
Dishwasher Drain Hose Extension	SGZ1010UC
Dishwasher Accessory Kit	SMZ5000
Flexible Silverware Basket	SMZ4000UC
Edge Protector + Power Cord Clip Install Kit	SMZEPCC1UC

**Accessories:** To purchase Bosch accessories, cleaners & parts please visit [www.bosch-home.com/us/store](http://www.bosch-home.com/us/store) or call 1-800-944-2904 (Mon to Fri 5 am to 6 pm PST, Sat 6 am to 3 pm PST).

**Notes:** All height, width and depth dimensions are shown in inches. BSH reserves the absolute and unrestricted right to change product materials and specifications, at any time, without notice. Consult the product's installation instructions for final dimensional data and other details prior to making cutout.

**Warranties:** Please see Use & Care manual or Bosch website for statement of limited warranty.

**For more information on our entire line of products, go to [www.bosch-home.com/us](http://www.bosch-home.com/us) or call 1-800-944-2904**

© BSH Home Appliances Corporation. All rights reserved. Bosch is a registered trademark of Robert Bosch GmbH.

# 24" Bar Handle Dishwasher

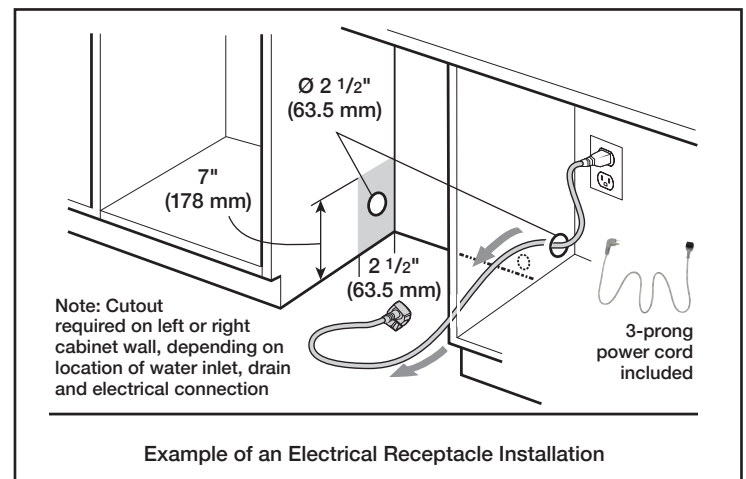
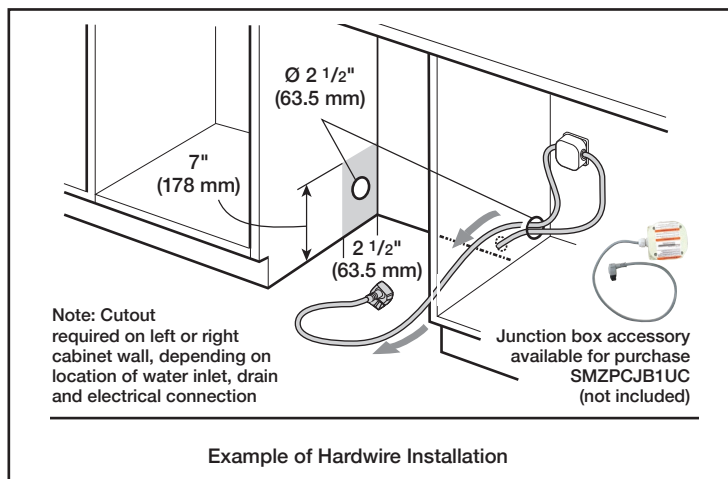
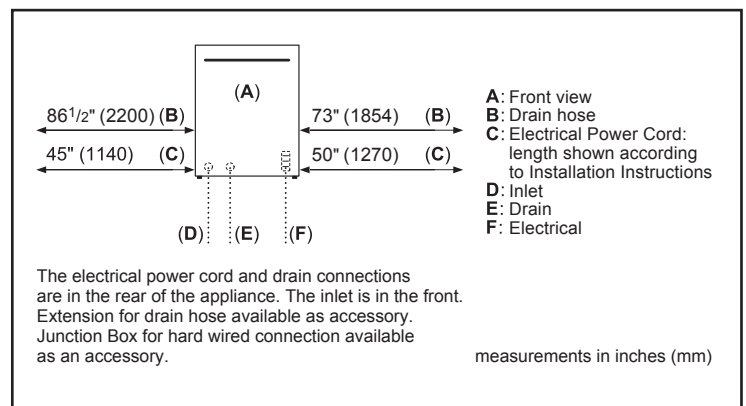
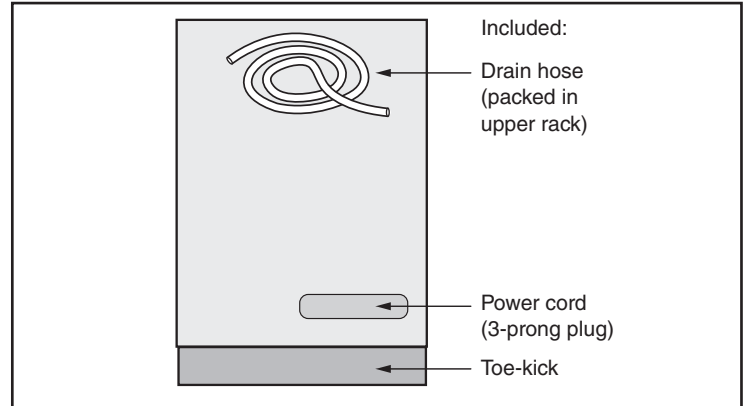
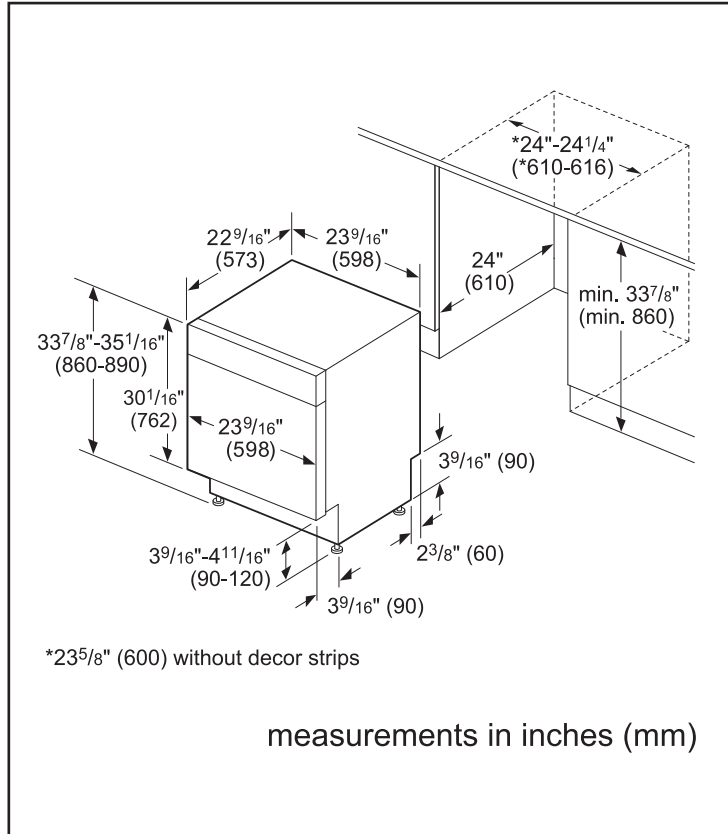
100 Series Premium – Stainless Steel SHX5AEM5N



**BOSCH**

Invented for life

## Installation Details



**Accessories:** To purchase Bosch accessories, cleaners & parts please visit [www.bosch-home.com/us/store](http://www.bosch-home.com/us/store) or call 1-800-944-2904 (Mon to Fri 5 am to 6 pm PST, Sat 6 am to 3 pm PST).

**Notes:** All height, width and depth dimensions are shown in inches. BSH reserves the absolute and unrestricted right to change product materials and specifications, at any time, without notice. Consult the product's installation instructions for final dimensional data and other details prior to making cutout.

**Warranties:** Please see Use & Care manual or Bosch website for statement of limited warranty.

**For more information on our entire line of products, go to [www.bosch-home.com/us](http://www.bosch-home.com/us) or call 1-800-944-2904**

© BSH Home Appliances Corporation. All rights reserved. Bosch is a registered trademark of Robert Bosch GmbH.



# 24" Bar Handle Dishwasher

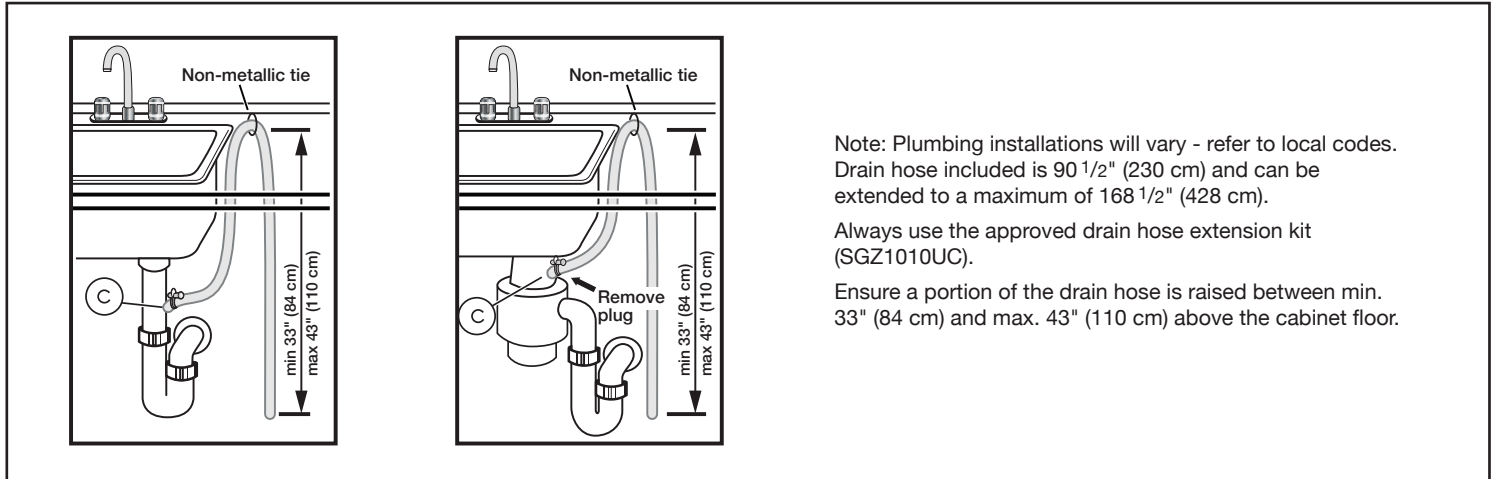
100 Series Premium – Stainless Steel SHX5AEM5N



**BOSCH**

Invented for life

## Installation Details



**Accessories:** To purchase Bosch accessories, cleaners & parts please visit [www.bosch-home.com/us/store](http://www.bosch-home.com/us/store) or call 1-800-944-2904 (Mon to Fri 5 am to 6 pm PST, Sat 6 am to 3 pm PST).

**Notes:** All height, width and depth dimensions are shown in inches. BSH reserves the absolute and unrestricted right to change product materials and specifications, at any time, without notice. Consult the product's installation instructions for final dimensional data and other details prior to making cutout.

**Warranties:** Please see Use & Care manual or Bosch website for statement of limited warranty.

**For more information on our entire line of products, go to [www.bosch-home.com/us](http://www.bosch-home.com/us) or call 1-800-944-2904**

© BSH Home Appliances Corporation. All rights reserved. Bosch is a registered trademark of Robert Bosch GmbH.

DAMA

WALL HOOD

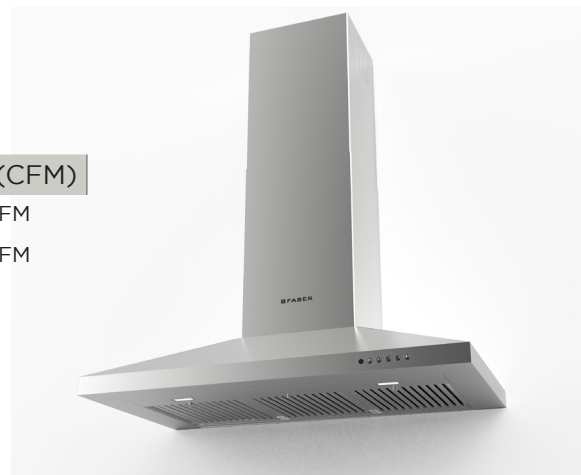


### ATTRACTIVE, SLIM, FEATURE-PACKED DESIGN

Slim, seamless, stylish - this Energy-Efficient canopy hood will look right in any home. Designed with the Sound PRO Blower for a quieter run. It's easy to install and simple to operate, thanks to the updated chrome buttons and optional remote control.

### AVAILABLE MODELS

Model #	FUN #	Size / Color	Motor Class (CFM)
<b>DAMA30SSV2</b>	320.0679.087	30" Stainless Steel	295/395/600 CFM
<b>DAMA36SSV2</b>	320.0679.088	36" Stainless Steel	295/395/600 CFM



NEW STYLISH, FLUSH **ENERGY-EFFICIENT** LED LIGHTING AND CHROME CONTROLS OFFER EXCEPTIONAL LIGHTING TO THE COOKTOP

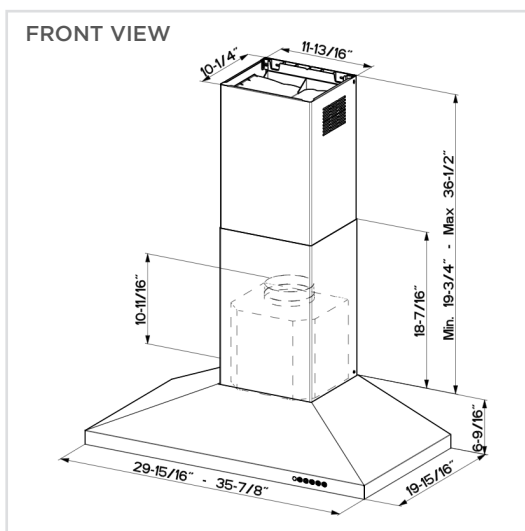




MODEL	FUN #	SIZE/MATERIAL	MOTOR CLASS
<b>DAMA30SSV2</b>	320.0679.087	30" Stainless Steel	295/395/600 CFM
<b>DAMA36SSV2</b>	320.0679.088	36" Stainless Steel	295/395/600 CFM

FEATURES		PERFORMANCE		ACCESSORIES
<b>Dimensions</b>		<b>Motor</b>		<b>HIGH3</b>
Ceiling Height	Min 24" OFF - 7' $\frac{7}{16}$ " Max 30" OFF - 9' $\frac{1}{16}$ "	No. of Fan Speeds	4 Speed	High Ceiling Kit to 11'
Canopy Depth-Height	19' $\frac{15}{16}$ " D x 6' $\frac{9}{16}$ " H	Motor Class	295/395/600	<b>DUCT4</b>
<b>Ducting</b>		Variable Air Management	Ability to set to 295, 395, 600 CFM	Ductless Conversion Kit
Type	Ducted/Ductless with DUCT4 kit	Sound PRO Motor	Yes	<b>FILTER2</b>
Duct Size	Top 6" Round	<b>Display</b>		Replacement Charcoal Filter
<b>Lighting</b>		Controls	Electronic with White LED	<b>MUDAMPER6</b>
Type	Energy-Efficient LED	Intensive Speed	10 Minutes	6" Make-up Air Kit
# of Bulbs	Two - 1 Watt - 1 Level	Delay Shut-off	15 Minutes	<b>MUDAMPER8</b>
<b>Grease Filters</b>		<b>Other</b>		8" Make-up Air Kit
Filter Type	Stainless Steel Baffle	ADA Compliant	With Remote Control	<b>REMORIG</b>
Dishwasher Safe	Yes	Remote Control	Purchase Separately	Wireless Remote Control
		Power Cord	Included	<b>WIREBOX</b>
				Fixed Wiring Box

## DIMENSIONAL DRAWINGS



Rev2 123