

Perimeter Beams: 12" min. x 24" deep with min. of 12" in undisturbed or 95% PI compacted soil.  
 Interior Beams: 12' min x 24" deep with min. of bottom of beam located at undistributed soil.

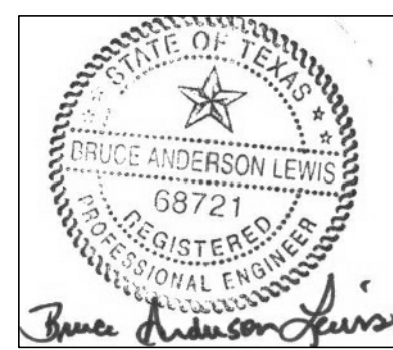
- 4" 3,000 PSI CONCRETE SLAB REINFORCED WITH #4 ROD AT 16" O.C.E.W. SET ON SAND CHAIRS AT 36" O.C.E.W., OVER 6 MIL. POLY VAPOR BARRIER.

- 4-#4 CORNER BARS @ EXTERIOR BEAM CORNERS.

- 2" SELECT SAND CUSHION COMPACTED TO 95% PROCTOR OVER VEGETATION FREE SOIL.

- VERIFY ALL UNDER SLAB PLUMBING, ELECT. AND MECHANICAL REQUIREMENTS BEFORE POURING SLAB

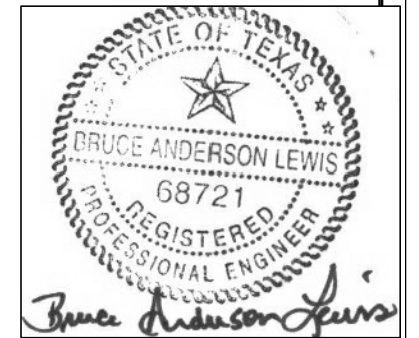
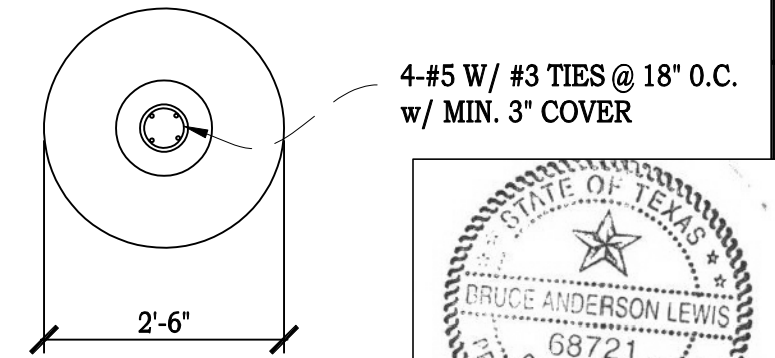
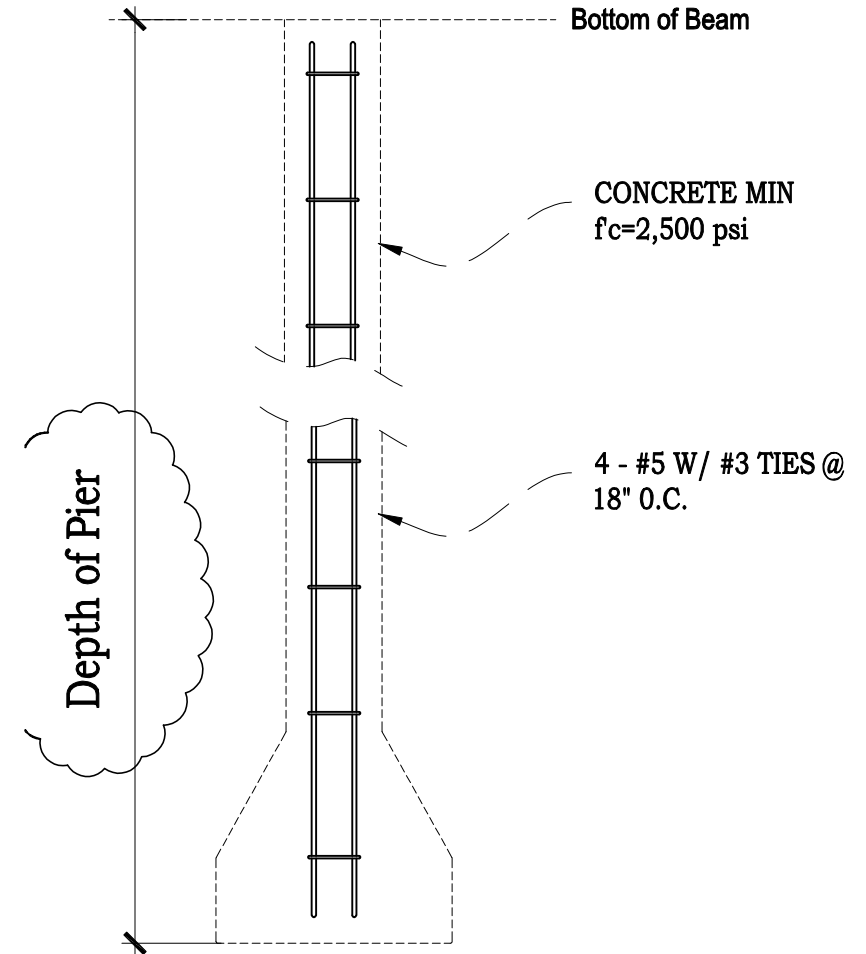
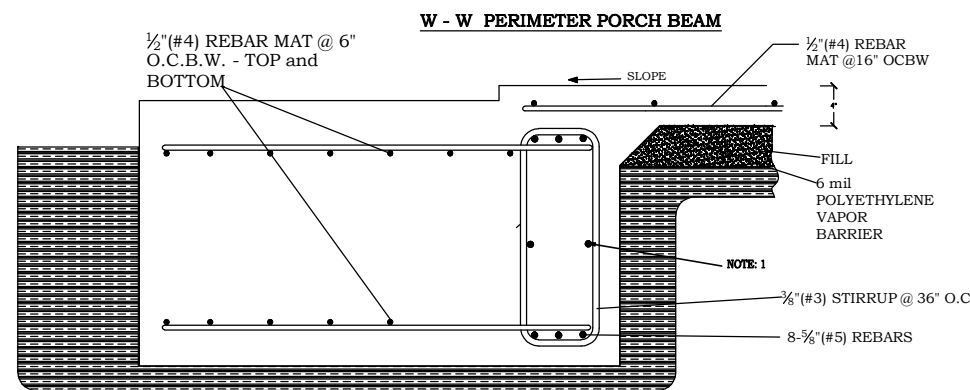
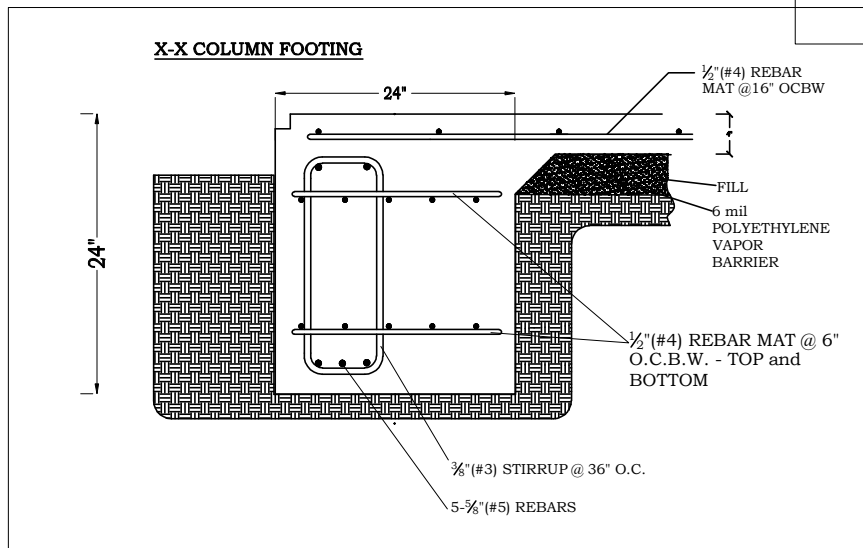
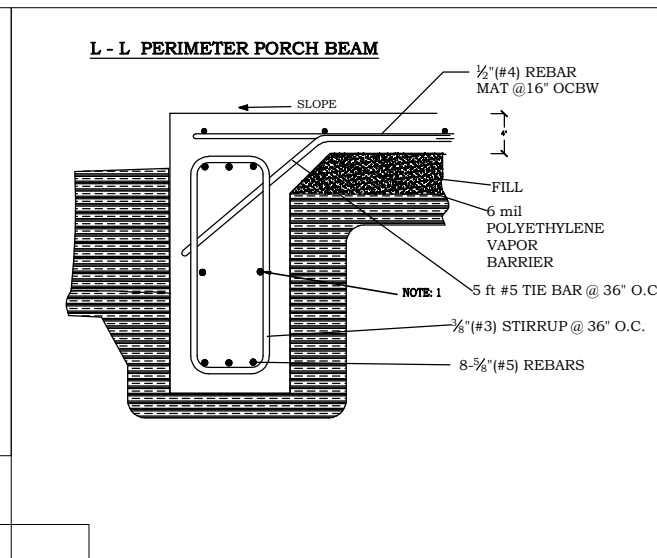
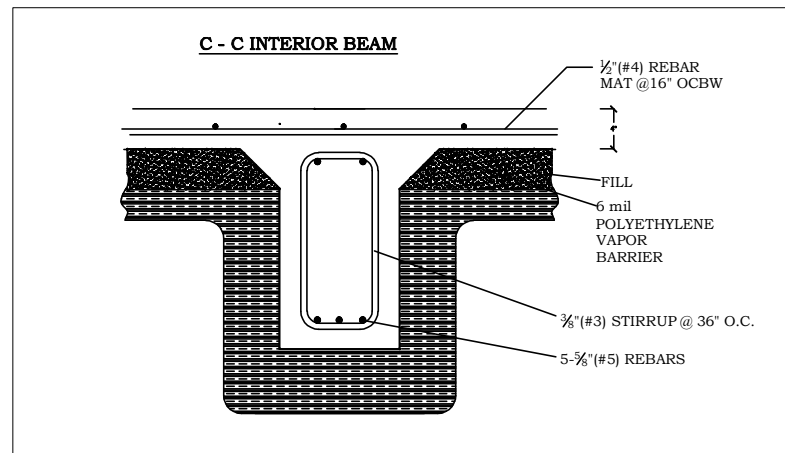
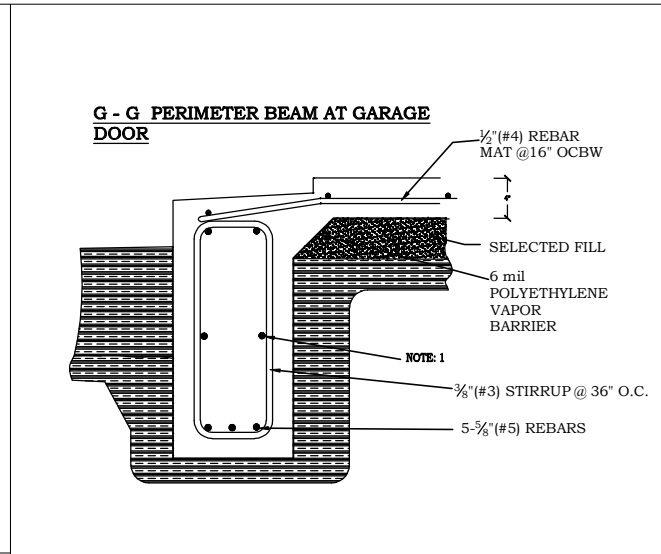
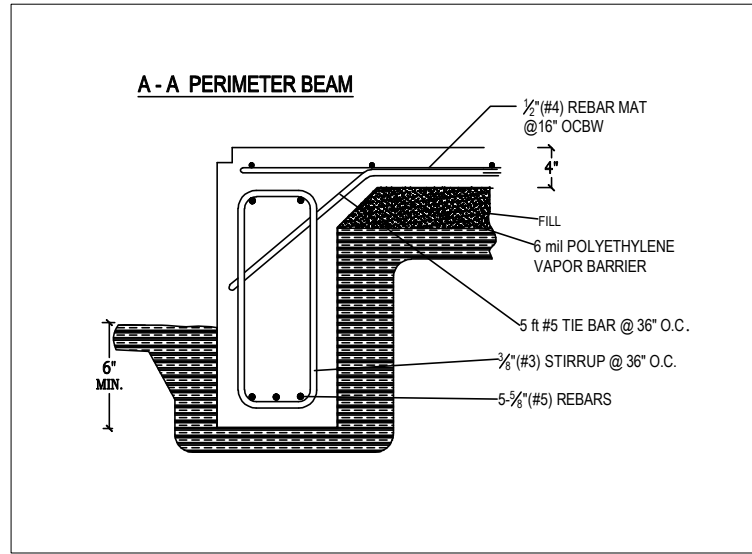
5/8" BOLT - 8" EMBEDMENT  
 3/4" BOLT - 12" EMBEDMENT  
 1" BOLT - 16" EMBEDMENT



1/12/22

PROJECT INFORMATION	
FOUNDATION DETAILS	3233 TOWER ROAD
	SANTA FE, TEXAS
	01/10/2022

WWW.CBWINSTORM.COM 798 FM 517 ALVIN, TEXAS 77511 (281) 331-0788
COASTAL BUILDING INSPECTIONS Engineering WINDSTORM Firm# F-003193
WINDSTORM DESIGN PLANS
CUSTOMER INFORMATION PARMER METAL BUILDING FOUNDATION
PLAN NO: 50X60
SHEET NO: 1-2



1/12/22

12" DIA. CONCRETE FOOTING W/ BELL  
BOTTOM DETAIL (BELOW GRADE)

$\frac{5}{8}$ " BOLT - 8" EMBEDMENT  
 $\frac{3}{4}$ " BOLT - 12" EMBEDMENT  
 1" BOLT - 16" EMBEDMENT

PROJECT INFORMATION

FOUNDATION DETAILS  
 3233 TOWER ROAD  
 SANTA FE, TEXAS  
 01/10/2022

WWW.CBWINSTORM.COM  
 798 FM 517  
 ALVIN, TEXAS 77511  
 (281) 331-0788

COASTAL  
 BUILDING  
 INSPECTIONS

Coastal Building Inspections  
 Engineering  
 WINDSTORM  
 Firm# F-003193

WINDSTORM  
 DESIGN  
 PLANS

CUSTOMER INFORMATION  
 PARMER  
 METAL BUILDING FOUNDATION

PLAN NO:

50X60

SHEET NO:

2-2