

Job: **1470 Bluebonnet Ridge**  
 Drawing Title: **Kitchen 3D**

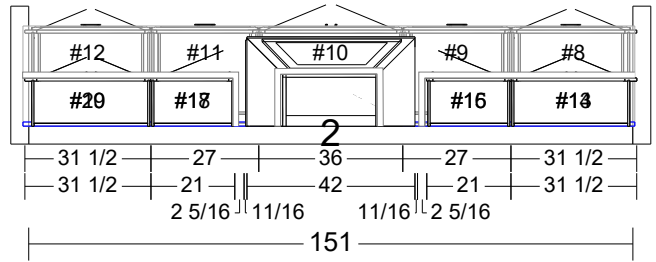
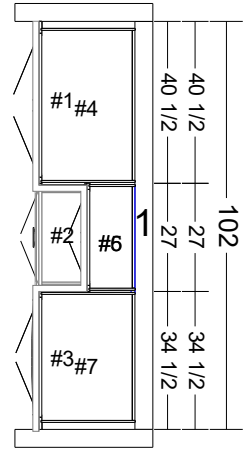
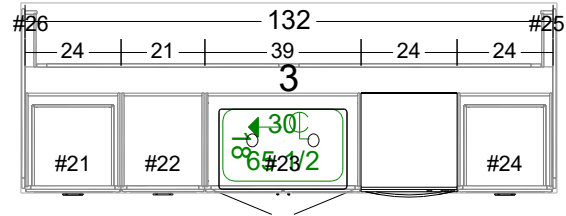
Door: **Quaker**  
 Finish: **Perimeter: Snowdrift  
 Hood & Island: Pewter Green**

**All Units to be Field Verified  
 before Manufacture and  
 Installation**

Scale: **1/2" = 1'**  
 Date: **06/06/2024**  
 Revision: **1.0**

Page: **1/15**

Kitchen

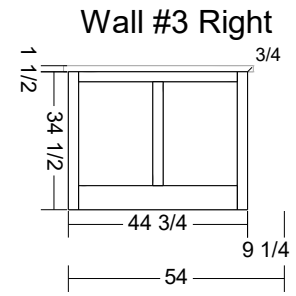
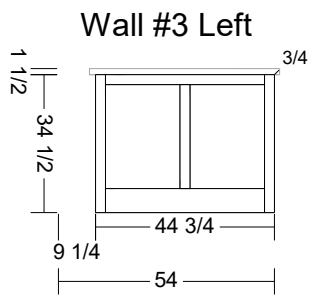
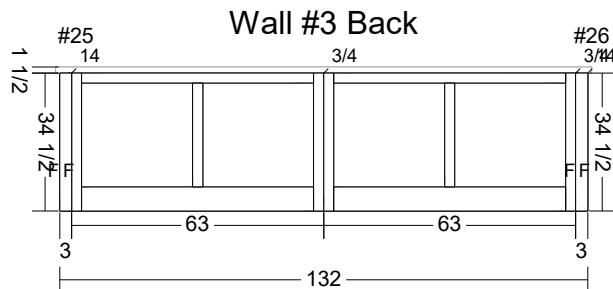
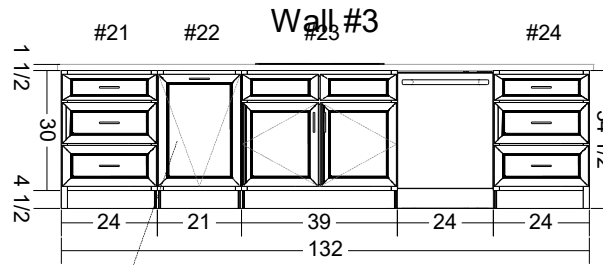
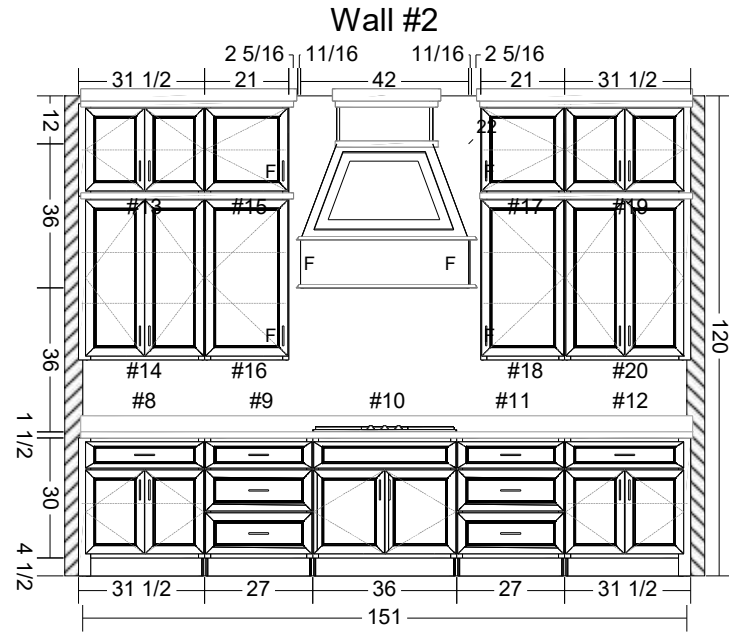
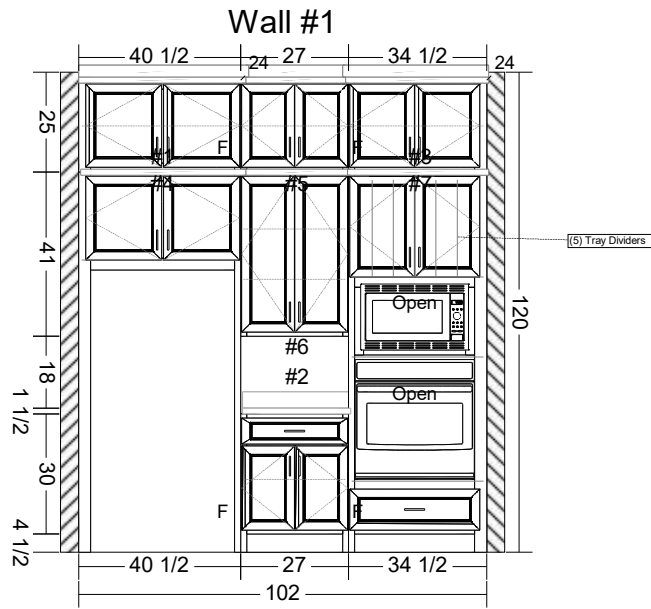


Job: **1470 Bluebonnet Ridge**  
 Drawing Title: **Kitchen Plan**

Door: **Quaker**  
 Finish: **Perimeter: Snowdrift  
 Hood & Island: Pewter Green**

**All Units to be Field Verified  
 before Manufacture and  
 Installation**

Scale: **1/2" = 1'**  
 Date: **06/06/2024**  
 Revision: **1.0**

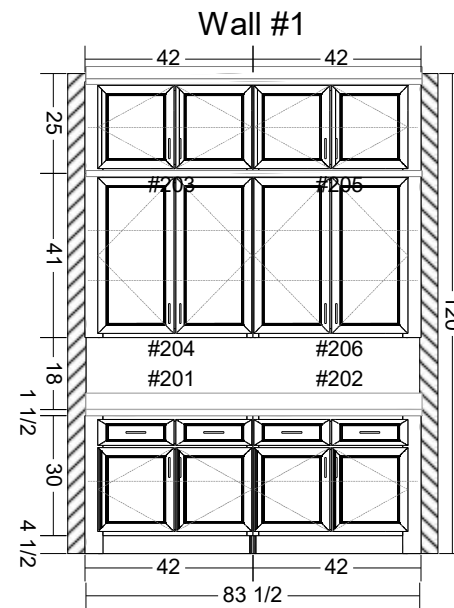
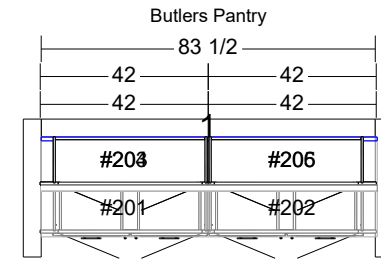
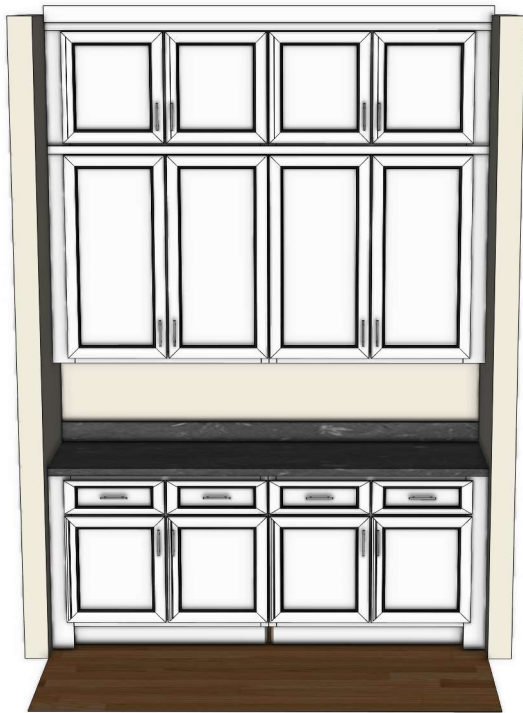


Job: **1470 Bluebonnet Ridge**  
 Drawing Title: **Kitchen Elev**

Door: **Quaker**  
 Finish: **Perimeter: Snowdrift  
 Hood & Island: Pewter Green**

All Units to be Field Verified  
 before Manufacture and  
 Installation

Scale: **1/2" = 1'**  
 Date: **06/06/2024**  
 Revision: **1.0**



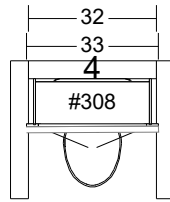
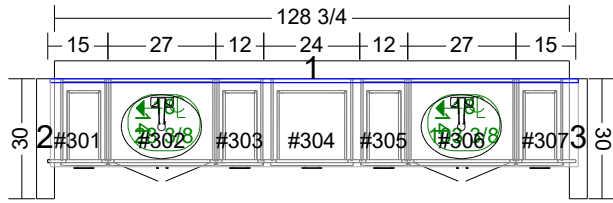
Job: **1470 Bluebonnet Ridge**  
 Drawing Title: **Butlers Pantry**

Door: **Quaker**  
 Finish: **Snowdrift**

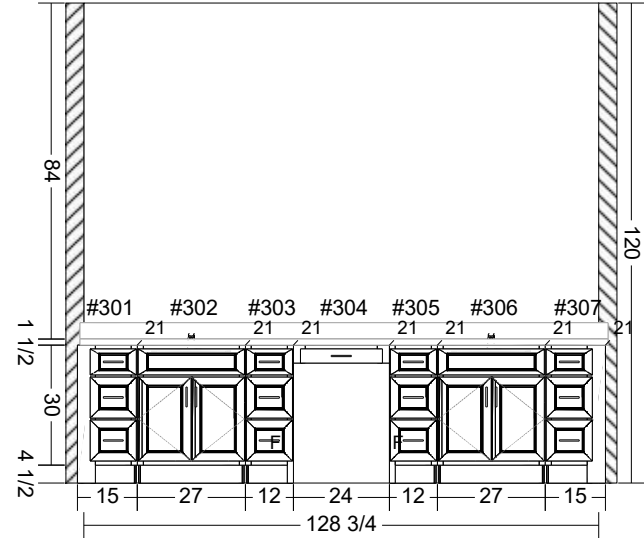
All Units to be Field Verified  
 before Manufacture and  
 Installation

Scale: **1/2" = 1'**  
 Date: **06/06/2024**  
 Revision: **1.0**

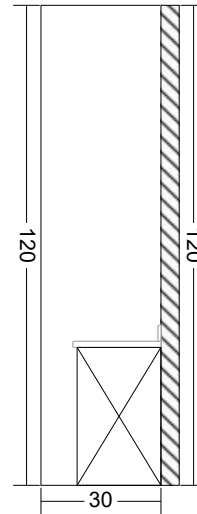
Master Bath



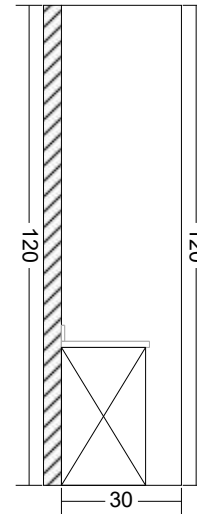
Wall #1



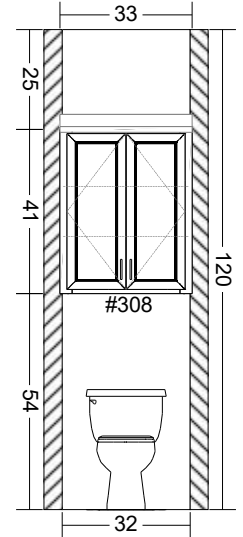
Wall #2



Wall #3



Wall #4



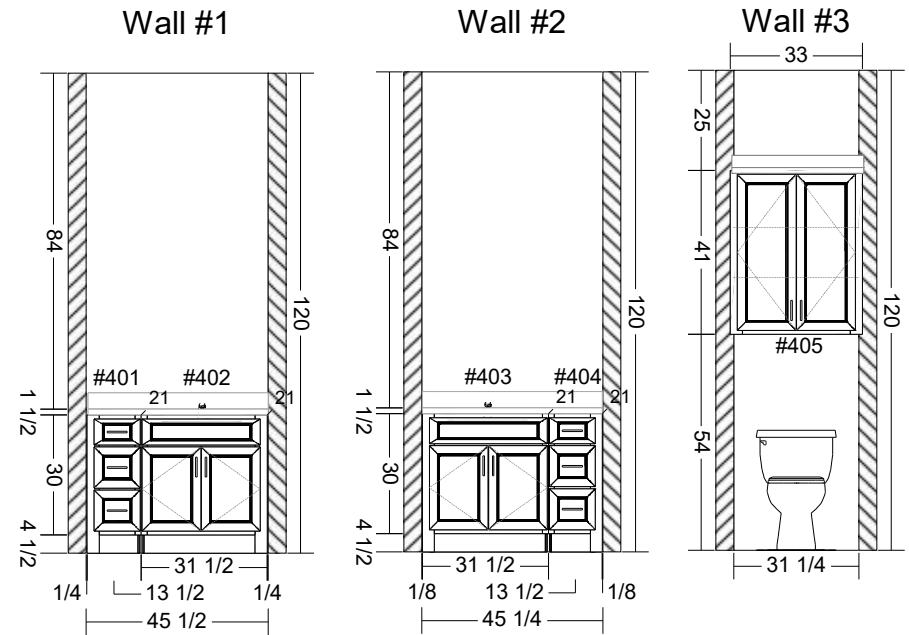
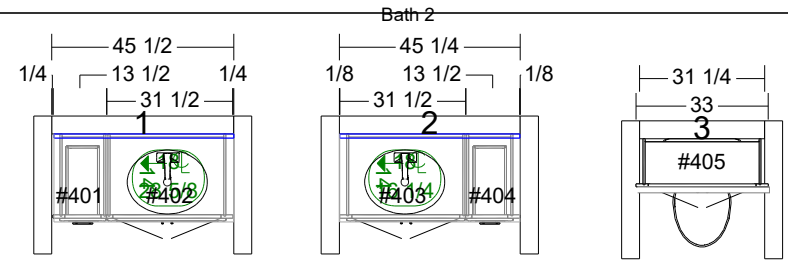
Job: **1470 Bluebonnet Ridge**  
 Drawing Title: **Master Bath**

Door: **Quaker**  
 Finish: **Snowdrift**

All Units to be Field Verified  
 before Manufacture and  
 Installation

Scale: **1/2" = 1'**  
 Date: **06/06/2024**  
 Revision: **1.0**

Page: **5/15**



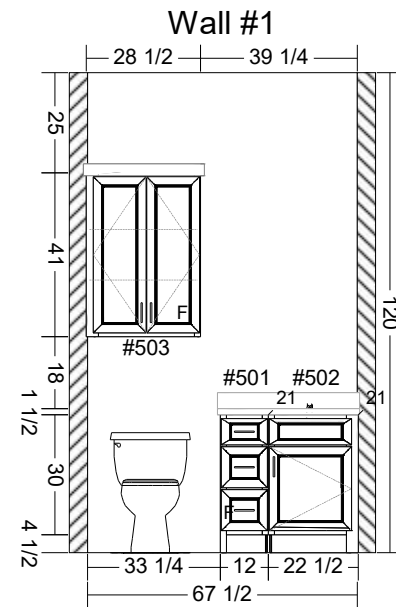
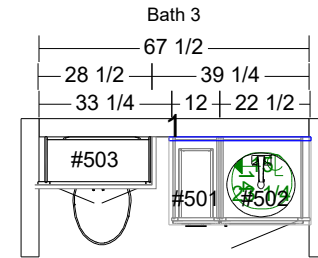
Job: **1470 Bluebonnet Ridge**  
 Drawing Title: **Bath 2**

Door: **Quaker**  
 Finish: **Snowdrift**

All Units to be Field Verified  
 before Manufacture and  
 Installation

Scale: **1/2" = 1'**  
 Date: **06/06/2024**  
 Revision: **1.0**

Page: **6/15**



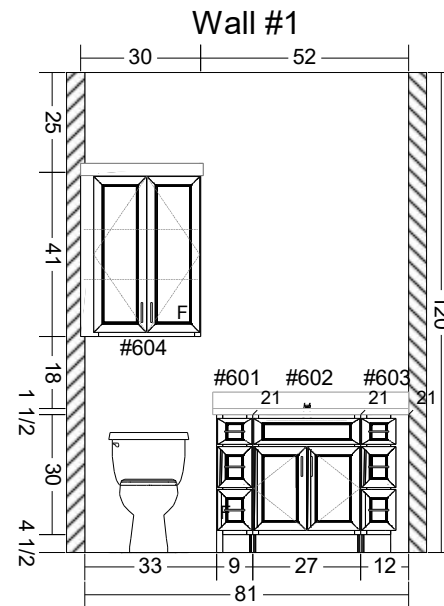
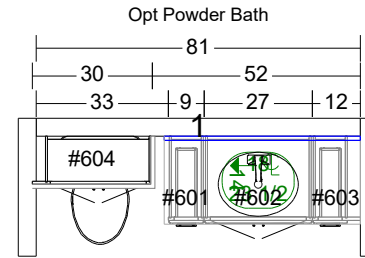
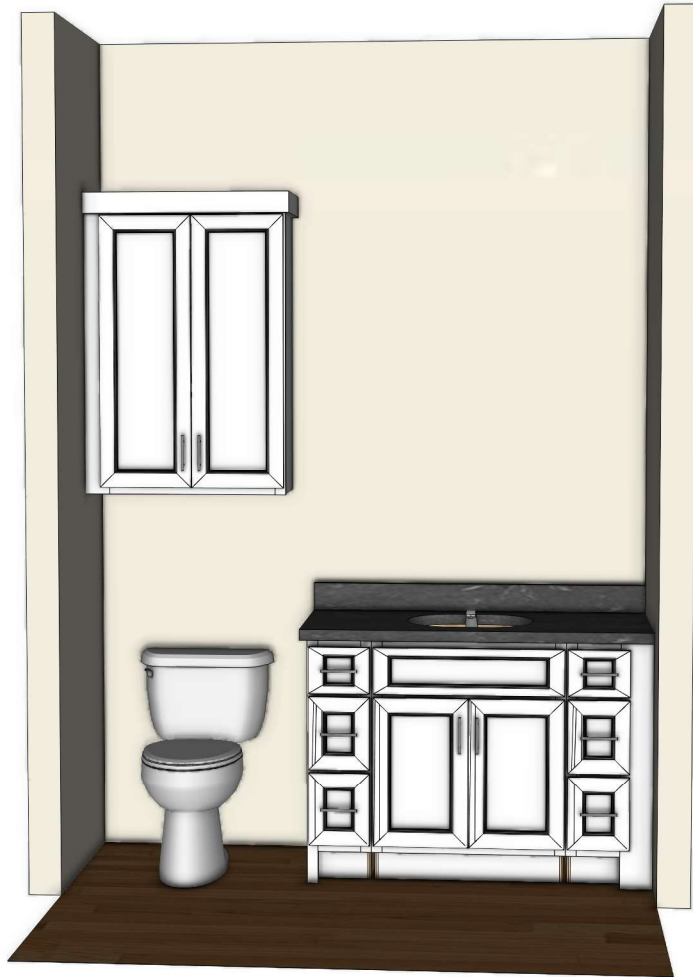
Job: **1470 Bluebonnet Ridge**  
 Drawing Title: **Bath 3**

Door: **Quaker**  
 Finish: **Snowdrift**

All Units to be Field Verified  
 before Manufacture and  
 Installation

Scale: **1/2" = 1'**  
 Date: **06/06/2024**  
 Revision: **1.0**

Page: **7/15**



Job: **1470 Bluebonnet Ridge**  
 Drawing Title: **Opt Powder Bath**

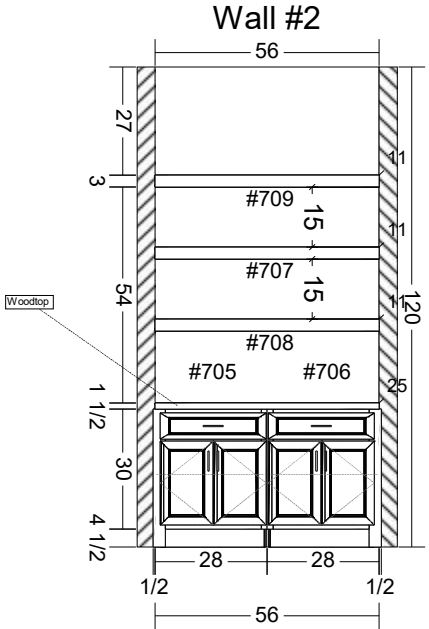
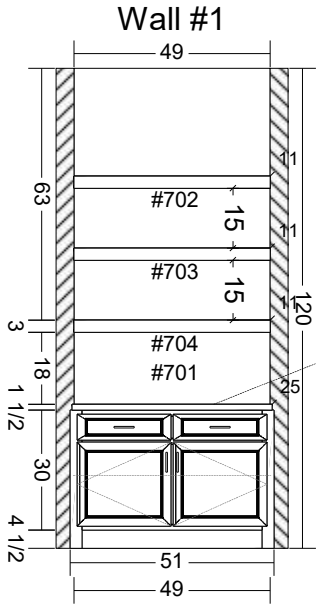
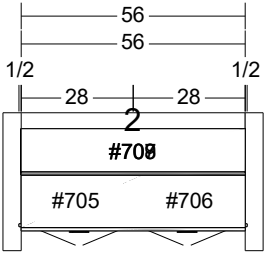
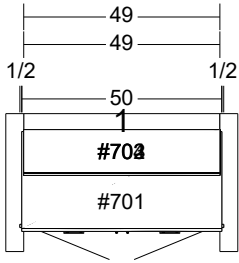
Door: **Quaker**  
 Finish: **Snowdrift**

All Units to be Field Verified  
 before Manufacture and  
 Installation

Scale: **1/2" = 1'**  
 Date: **06/06/2024**  
 Revision: **1.0**



Family Room



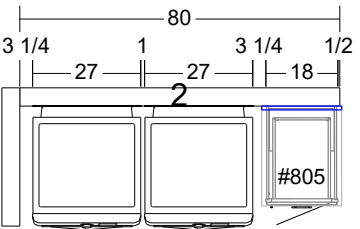
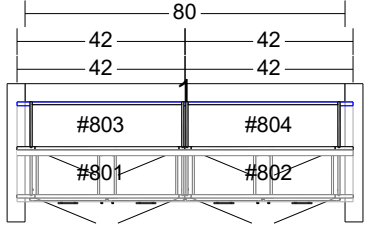
Job: **1470 Bluebonnet Ridge**  
 Drawing Title: **Family Room**

Door: **Quaker**  
 Finish: **Snowdrift**

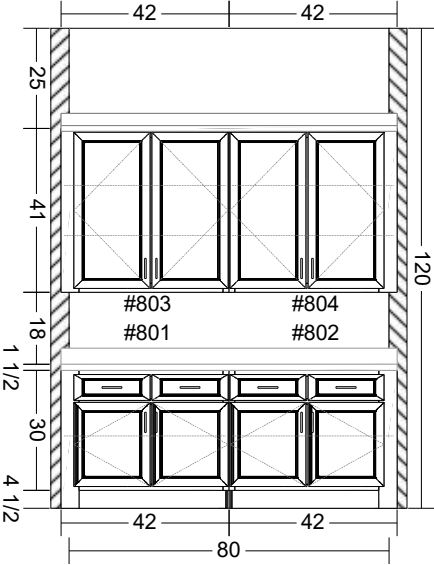
All Units to be Field Verified  
 before Manufacture and  
 Installation

Scale: **1/2" = 1'**  
 Date: **06/06/2024**  
 Revision: **1.0**

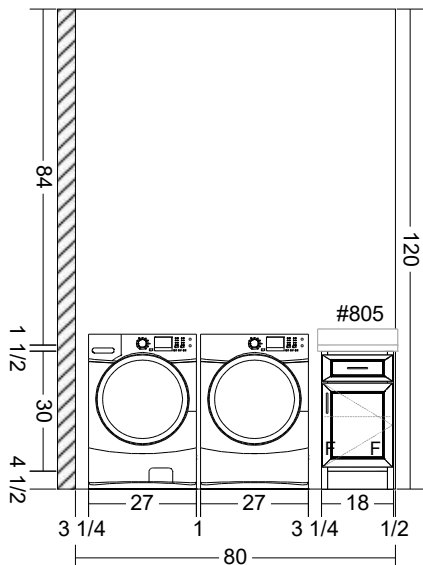
Laundry



Wall #1



Wall #2



Job: **1470 Bluebonnet Ridge**  
 Drawing Title: **Laundry**

Door: **Quaker**  
 Finish: **Snowdrift**

All Units to be Field Verified before Manufacture and Installation

Scale: **1/2" = 1'**  
 Date: **06/06/2024**  
 Revision: **1.0**

Page: **10/15**



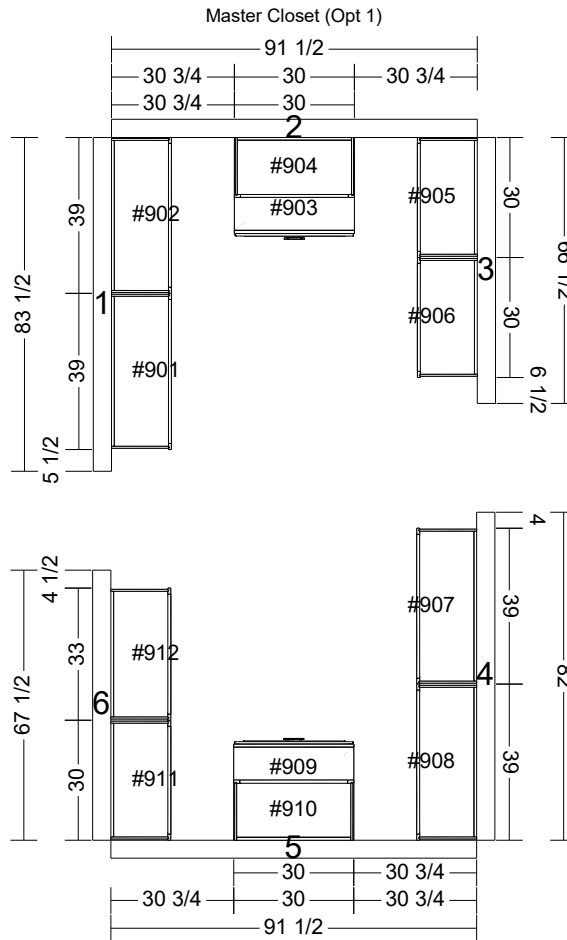
Job: **1470 Bluebonnet Ridge**  
 Drawing Title: **Master Closet (opt 1) 3D**

Door: **Quaker**  
 Finish: **Snowdrift**

All Units to be Field Verified  
 before Manufacture and  
 Installation

Scale: **1/2" = 1'**  
 Date: **06/06/2024**  
 Revision: **1.0**

Page: **11/15**



Job: **1470 Bluebonnet Ridge**  
 Drawing Title: **Master Closet (opt 1) Plan**

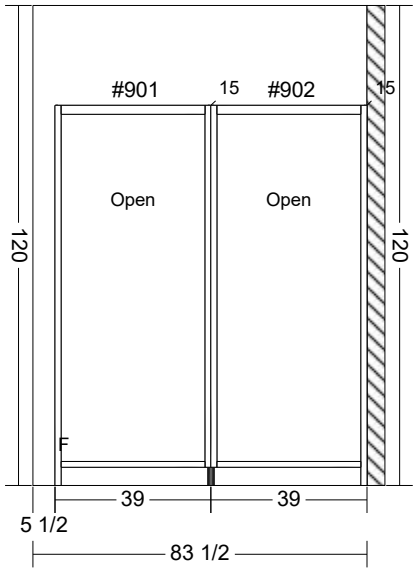
Door: **Quaker**  
 Finish: **Snowdrift**

All Units to be Field Verified  
 before Manufacture and  
 Installation

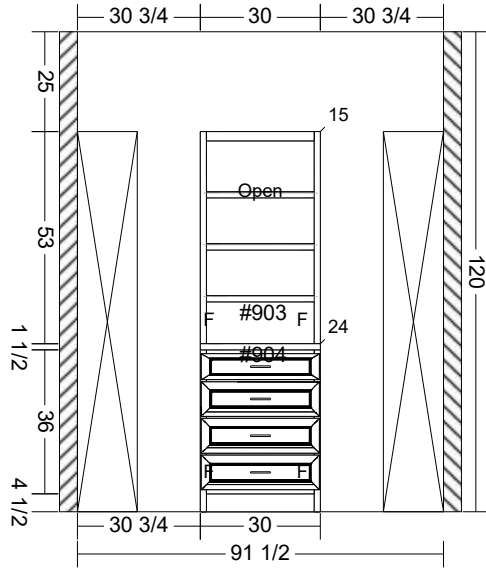
Scale: **1/2" = 1'**  
 Date: **06/06/2024**  
 Revision: **1.0**

Page: **12/15**

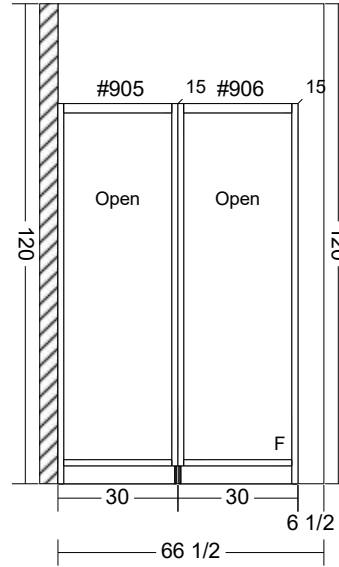
Wall #1



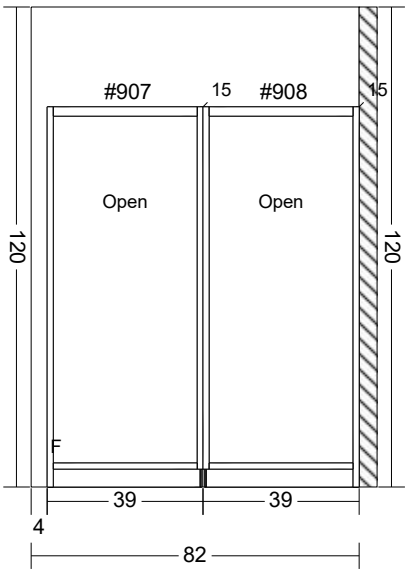
Wall #2



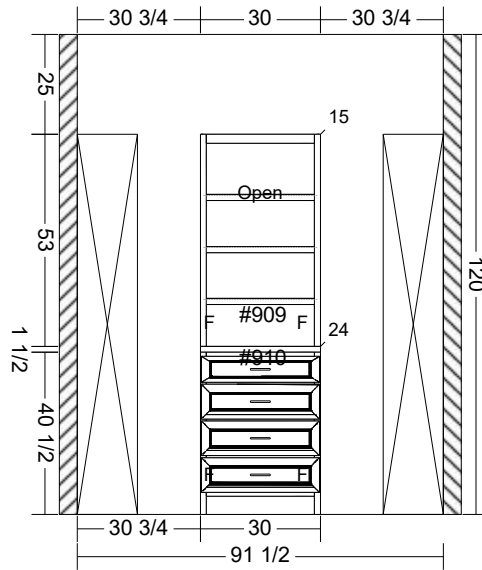
Wall #3



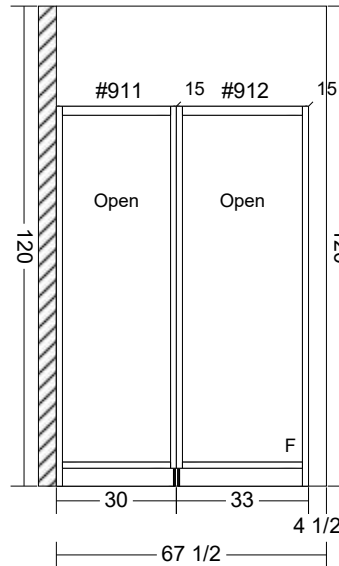
Wall #4



Wall #5



Wall #6



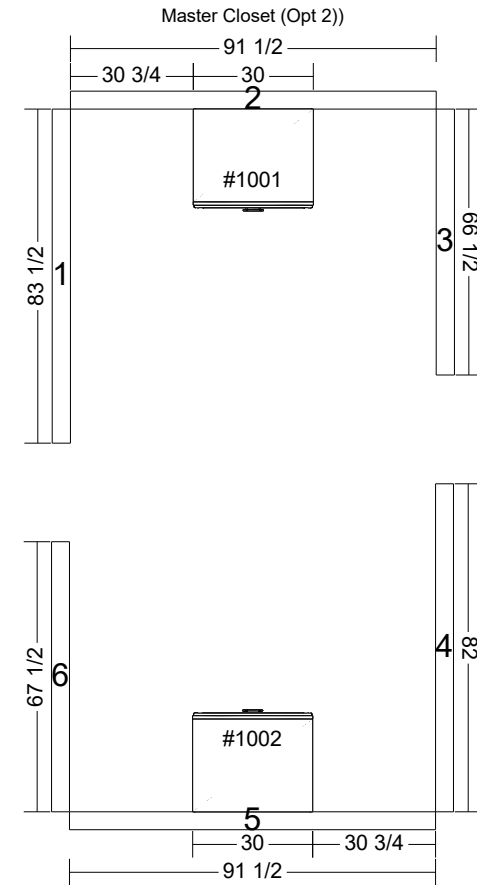
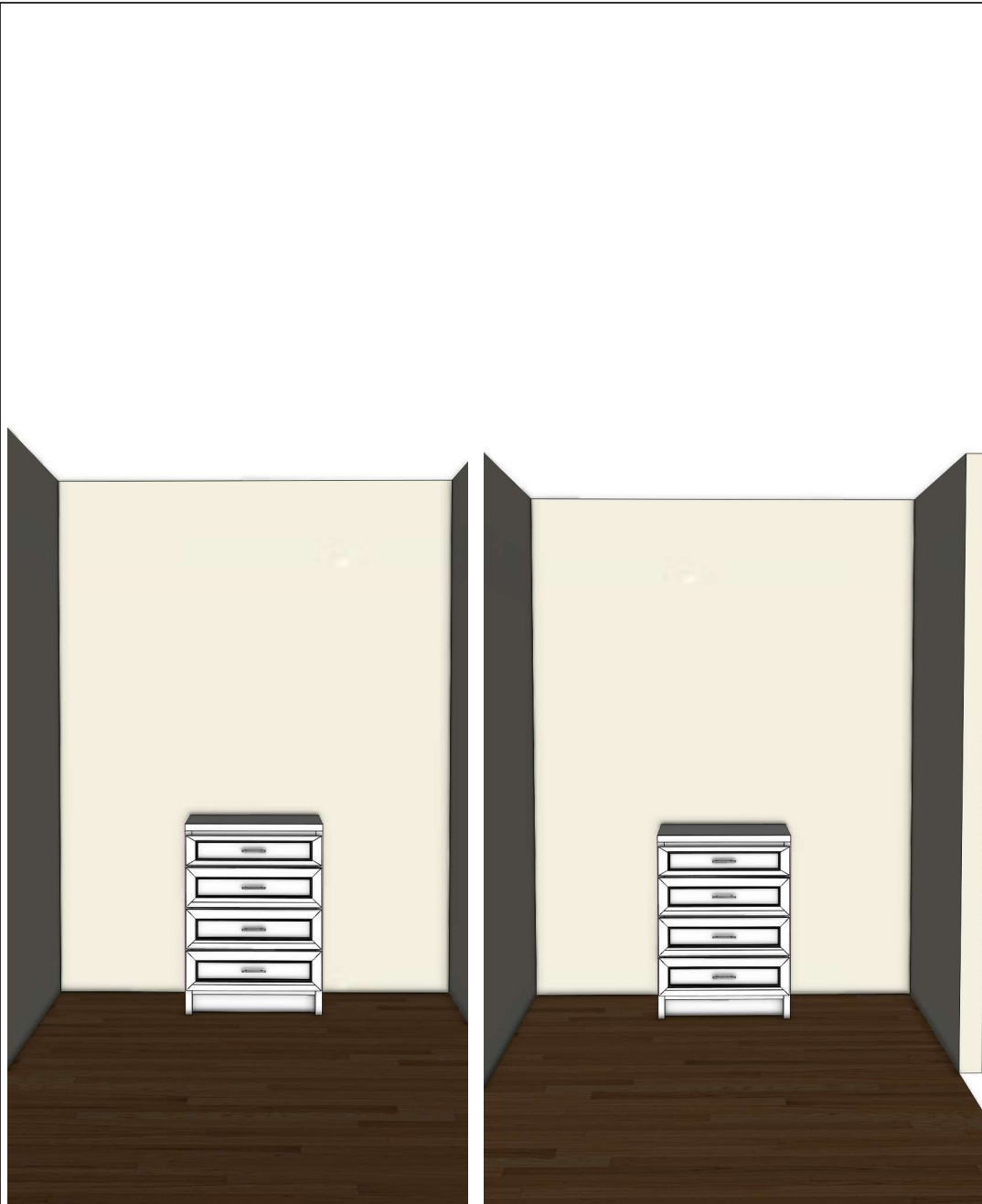
Job: **1470 Bluebonnet Ridge**  
 Drawing Title: **Master Closet (opt 1) Elev**

Door: **Quaker**  
 Finish: **Snowdrift**

All Units to be Field Verified  
 before Manufacture and  
 Installation

Scale: **1/2" = 1'**  
 Date: **06/06/2024**  
 Revision: **1.0**

Page: **13/15**



Job: **1470 Bluebonnet Ridge**  
 Drawing Title: **Master Closet (opt 2)**

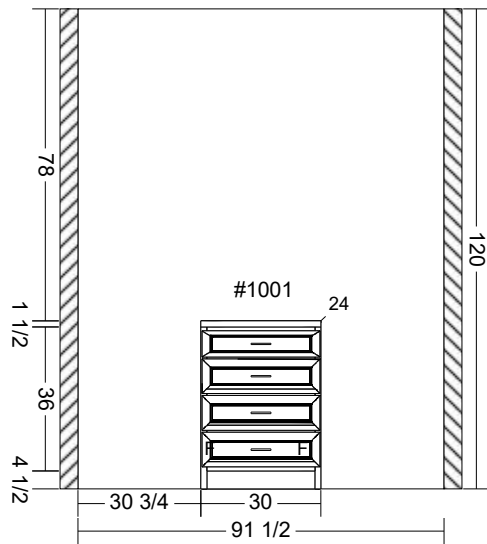
Door: **Quaker**  
 Finish: **Snowdrift**

All Units to be Field Verified  
 before Manufacture and  
 Installation

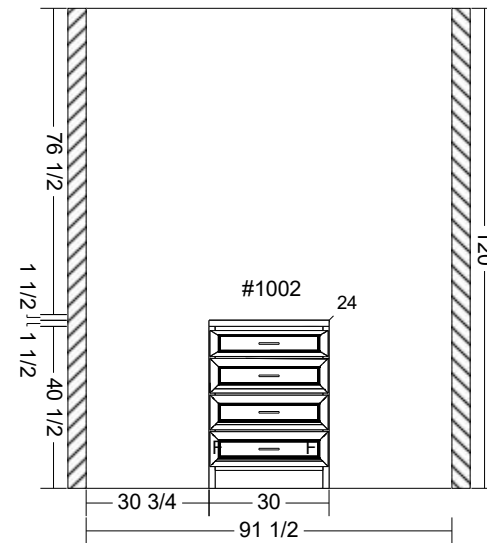
Scale: **1/2" = 1'**  
 Date: **06/06/2024**  
 Revision: **1.0**

Page: **14/15**

Wall #2



Wall #5



Job: **1470 Bluebonnet Ridge**  
 Drawing Title: **Master Closet (opt 2) Elev**

Door: **Quaker**  
 Finish: **Snowdrift**

All Units to be Field Verified  
 before Manufacture and  
 Installation

Scale: **1/2" = 1'**  
 Date: **06/06/2024**  
 Revision: **1.0**

Page: **15/15**