

Customer Info

Name: Mark and Denise Hagen
 Address: 3492 Matoska Ridge
 City: College Station
 State/Zip: TX 77845
 Phone: 765-409-0811
 Cell: Shafer Homes
 Email:
 Alternate Contact:
 Job #: 25-13

Job site must stay clean no trash will be allowed to be left behind

SSF Pool Specifications

Length: 32'2"
 Width: 21'
 Depth: 3' to 6'
 Perimeter: 93
 Square Footage: 485
 Capacity: 13,580
 Interior Material: White Plaster
 Coping Material: Flagstone
 # of Returns: 4
 # of Skimmers: 2 Bermuda
 # of Drains: 4
 Fill Line: Manual
 Light(s): 1 Colorlogic
 Water Features:

SSF Spa Specifications

Length: 7' Round
 Raised: 18"
 Depth: 3'6"
 Perimeter: 28
 Square Footage: 49'
 Capacity: 750
 Spillway: 6'5" open
 Top Material: flagstone
 Side Material: flagstone
 Light(s): 1 Spa Colorlogic
 # of WW Jets: 8

Notes:

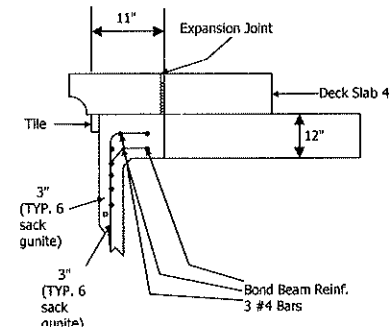
SSF Equipment

Filter Pump: 2 hp Tristar
 Filter Type: 525 Cartridge
 Spa Pump:
 W.F. Pumps: none
 Heater: 400k BTU Hayward
 Type and Run: 50' Sched 40
 Controls: PS8
 Sanitation: Goldline Salt
 Pool Sweep: Pentair legend
 Other Equipment:

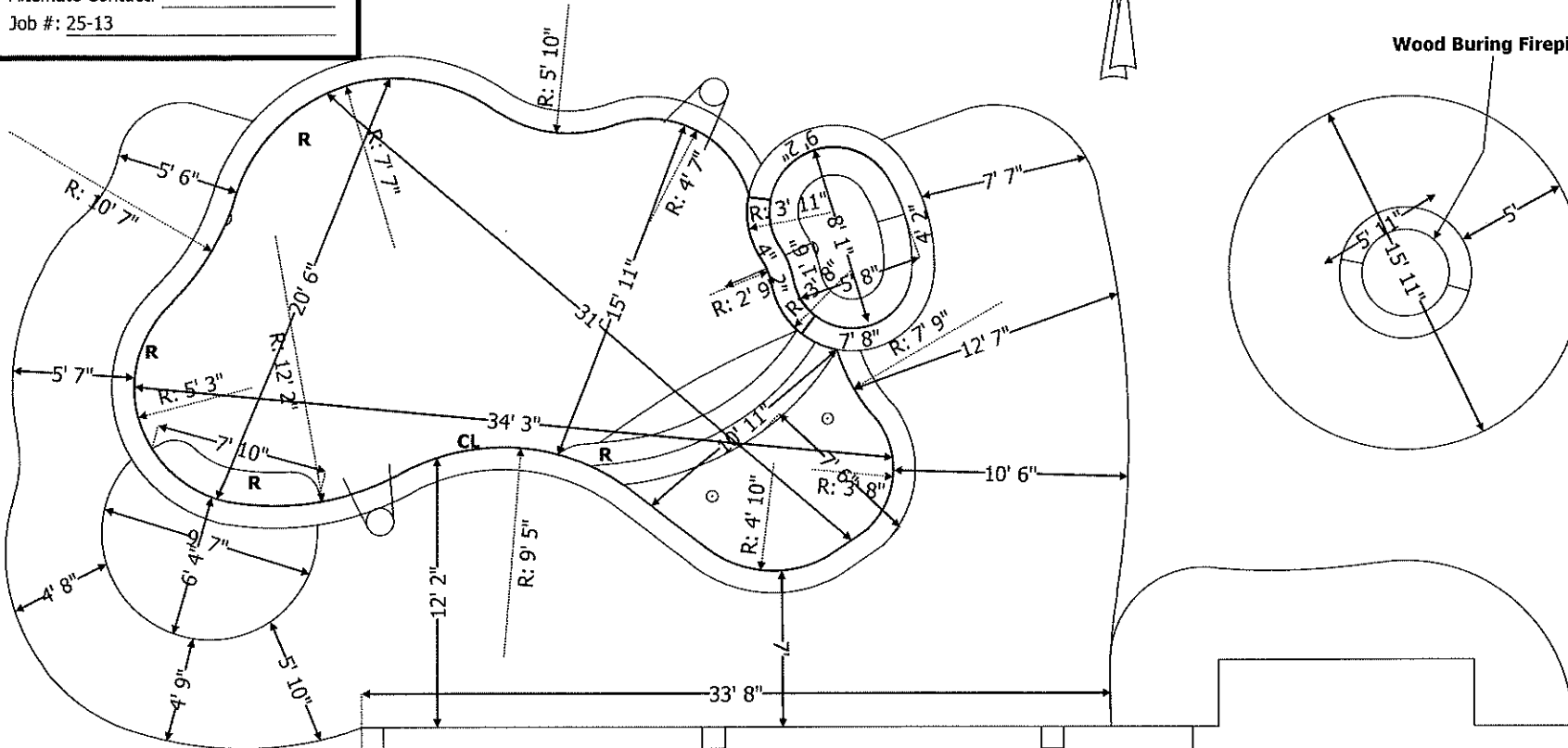
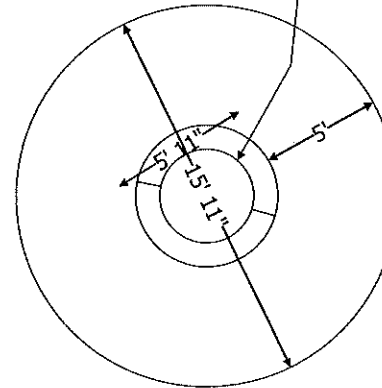
Deck Specifications

Square Footage: 670
 Material 1: Pea Gravel
 Square Footage: 150
 Material 2: Sandset flagstone

SSF Bond Beam Detail



Wood Buring Firepit



Existing Patio

House

House

Project Layout and elevation approval

I have reviewed and I give my approval of the layout and elevation and permission to proceed with the construction of this project. By signing this you agreed to the plan and specs of the project.

X

Customer

Date