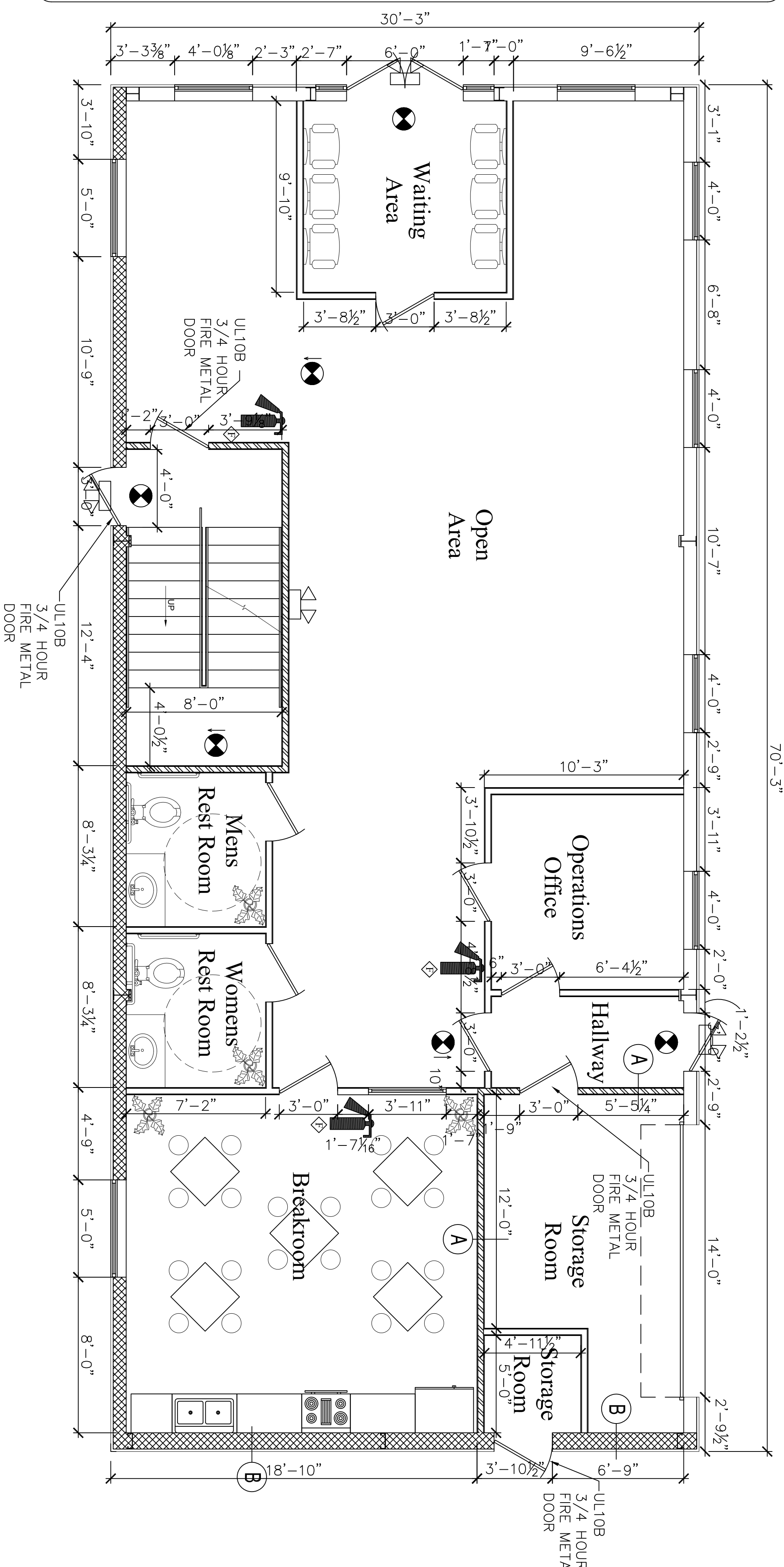


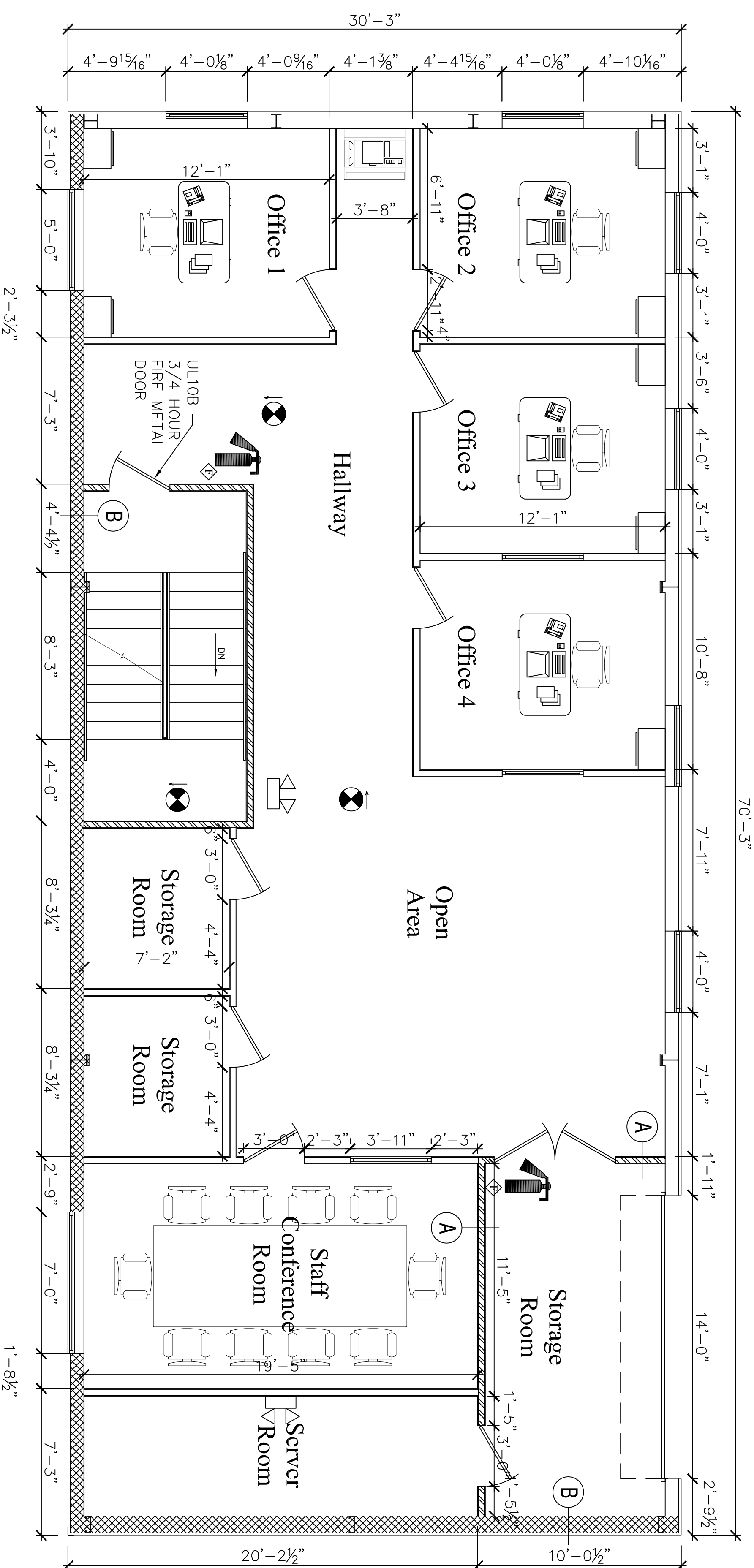
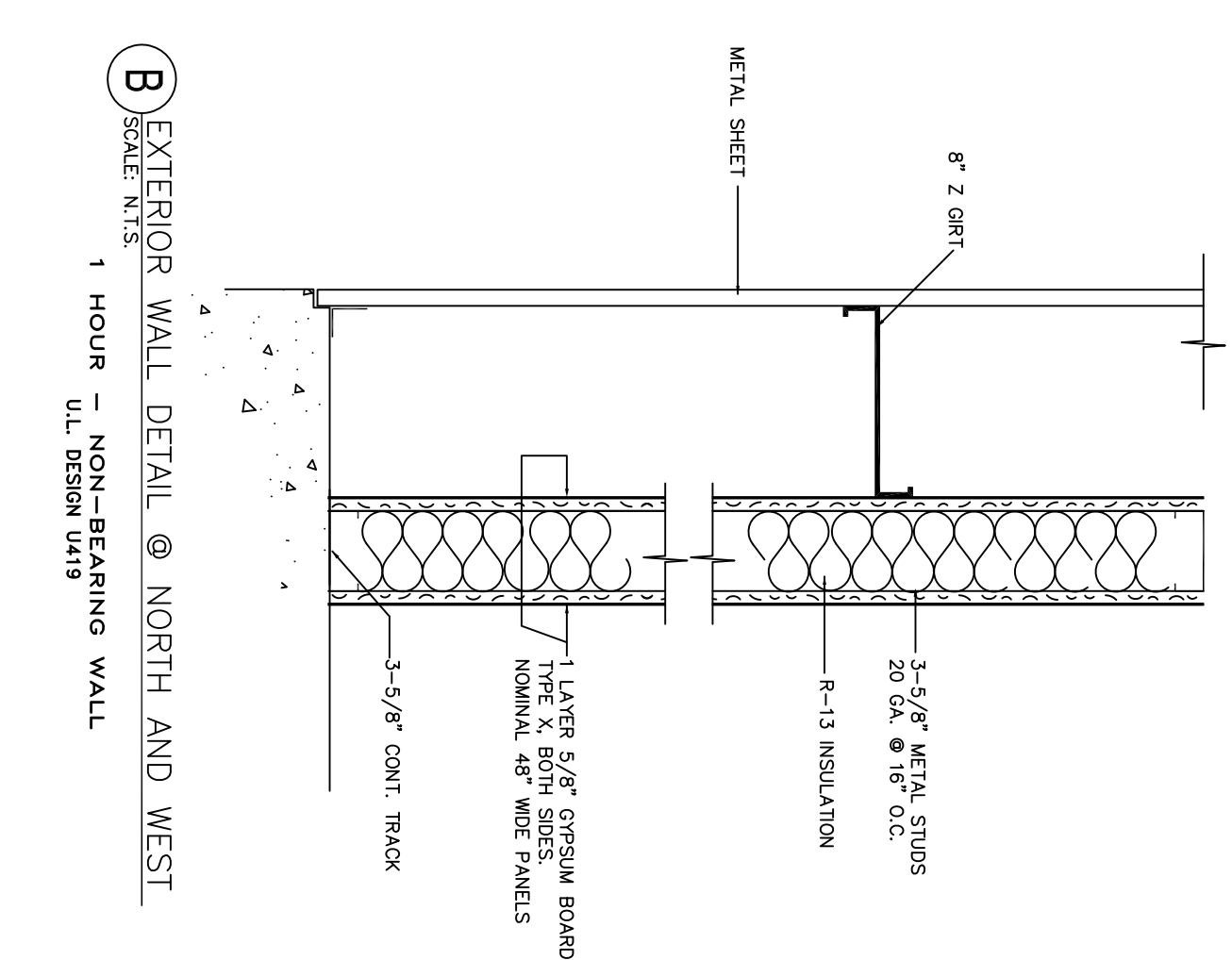
| LEGEND | |
|--------|--|
| | PORTABLE FIRE EXTINGUISHER OF TYPE 1 CLASS 2A DISTANCE OF 75 FEET. |
| | SURELITE# UMH-1-SRWHD-DUAL VOLTAGE 120/277V. |
| | EMERGENCY EGRESS LIGHT FIXTURE WITH BATTERY BACKUP- SURELITE # UMB-1 INCANDESCENT LAMP 120/277V BALLAST UNIVERSAL MOUNT, APPROVED FOR WET LOCATIONS. |
| | 2-8 INCANDESCENT SEALED BEAM LAMPS AND 90 MINUTE LEAD CALCIUM BATTERY BACKUP. |
| | 1 HR FIRE EXTERIOR WALL PER U.L. DESIGN NO. U-419 |
| | 1 HR FIRE WALL PER U.L. DESIGN NO. U-419 |
| | INTERIOR PARTITION WALL |



FIRST FLOOR

1/4" = 1'-0"

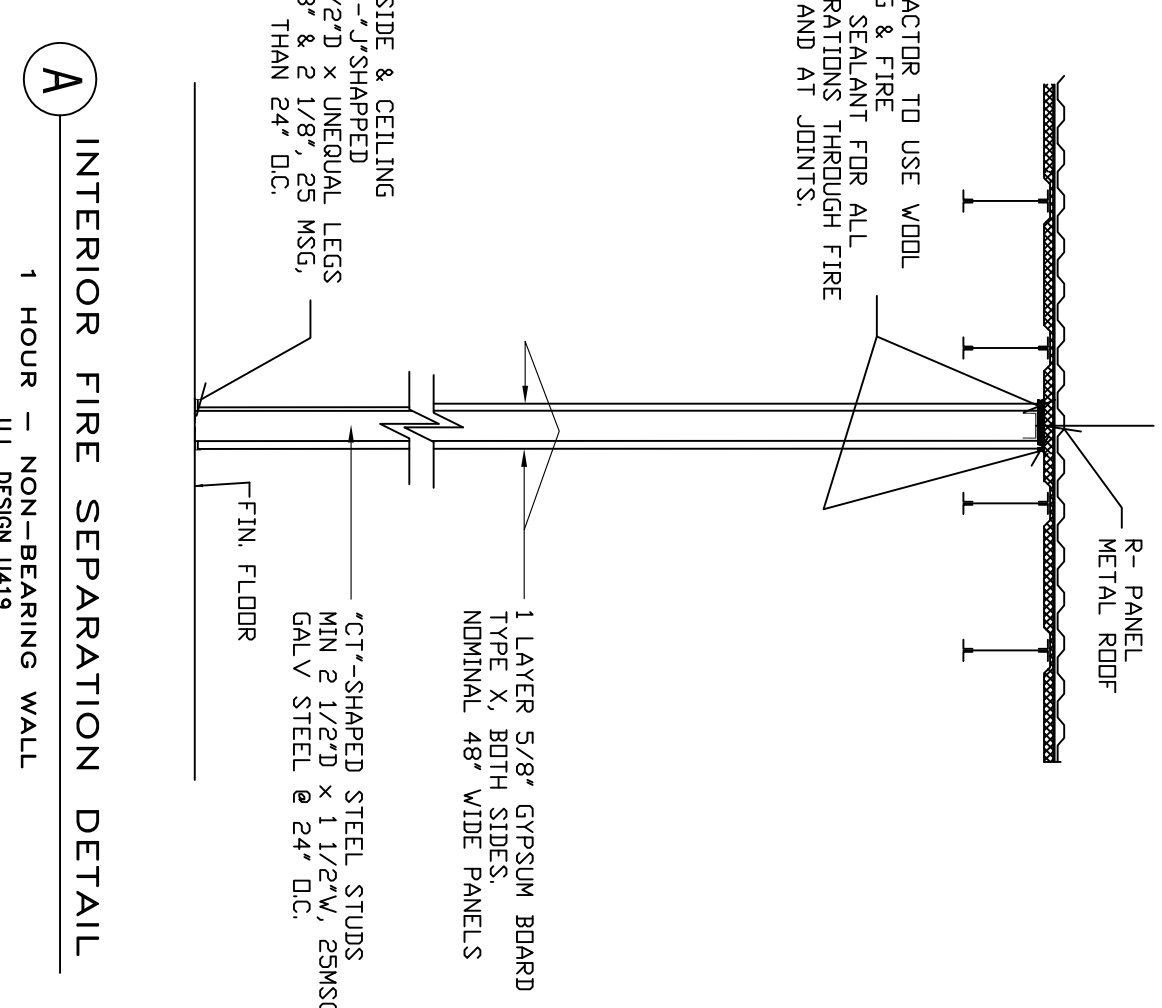
02



SECOND FLOOR

1/4" = 1'-0"

01



FIRMAN R. ASSOC. LLC.
 PROPOSED OFFICE/WAREHOUSE
 STORAGE METAL BUILDING
 LOCATED AT
 17711 E. STRACK DR.
 SPRING, TX 77379

DRAWING TITLE:
 FLOOR PLAN

DATE:
 1/2/2011

DESIGN:
 S530

DRAWN:
 S530

SCALE:
 AS SHOWN

JOB NO:
 10124019

FILE:
 DRAWING

DRAWING

| REVISIONS | |
|-----------|-------------|
| No. | DESCRIPTION |
| 1 | |
| 2 | |

Copyright Premier Designs Group, All Rights Reserved. The Duplication, Reproduction, Copying, Sale, Rental, Lending, or any other distribution or use of these drawing, any portion thereof, or the plans depicted hereon is Strictly Prohibited unless expressly authorized in writing by Premier Designs Group. Premier Designs Group is not held responsible for the architectural and structural design in any way or matter.

OWNER:
 JOHN LAWRENCE

13613 Veterans Memorial Dr. Houston Texas 77014 Ph: 281-257-5837 premier@premierdesignsgroup.com www.premierdesignsgroup.com

Premier Designs Group

A1.1